
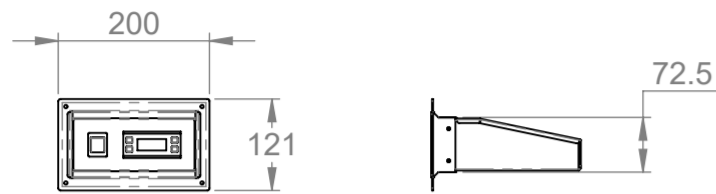
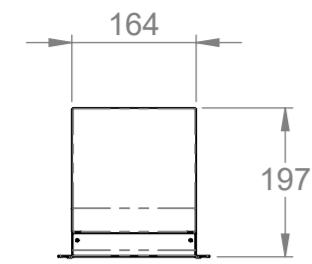
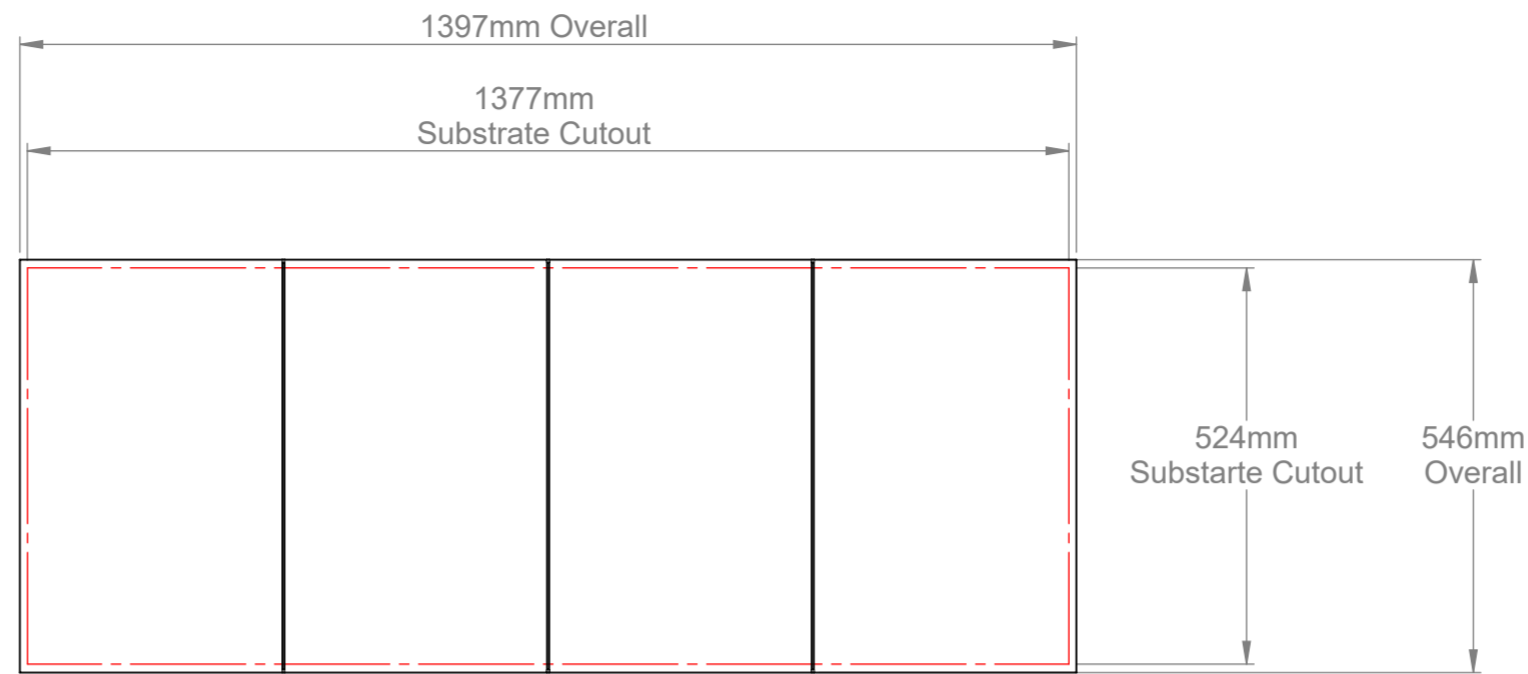
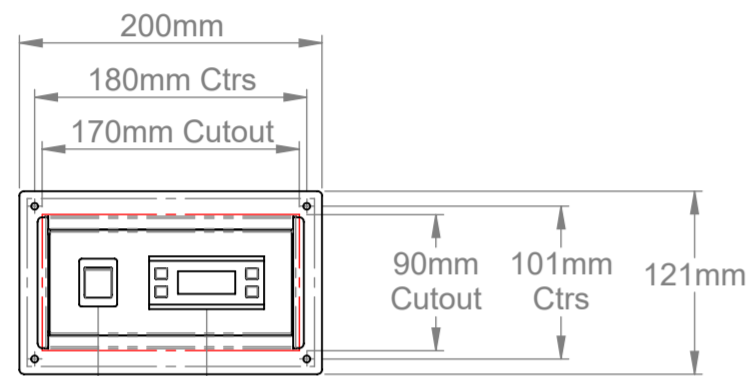


3rd Angle Projection. 
 This drawing and the information properties contained there on is the property of Counterline Ltd and must not be copied or issued to a third party without the prior consent of Counterline Ltd.

Unit support Substrate Cutout Detail



Controller Cutout Details & Fixings

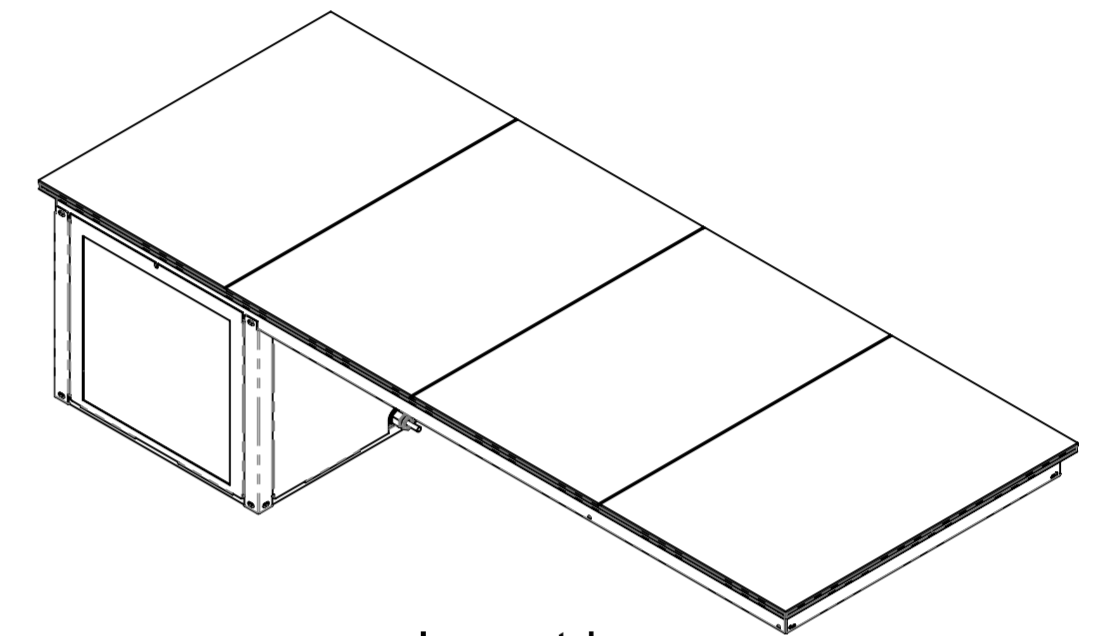
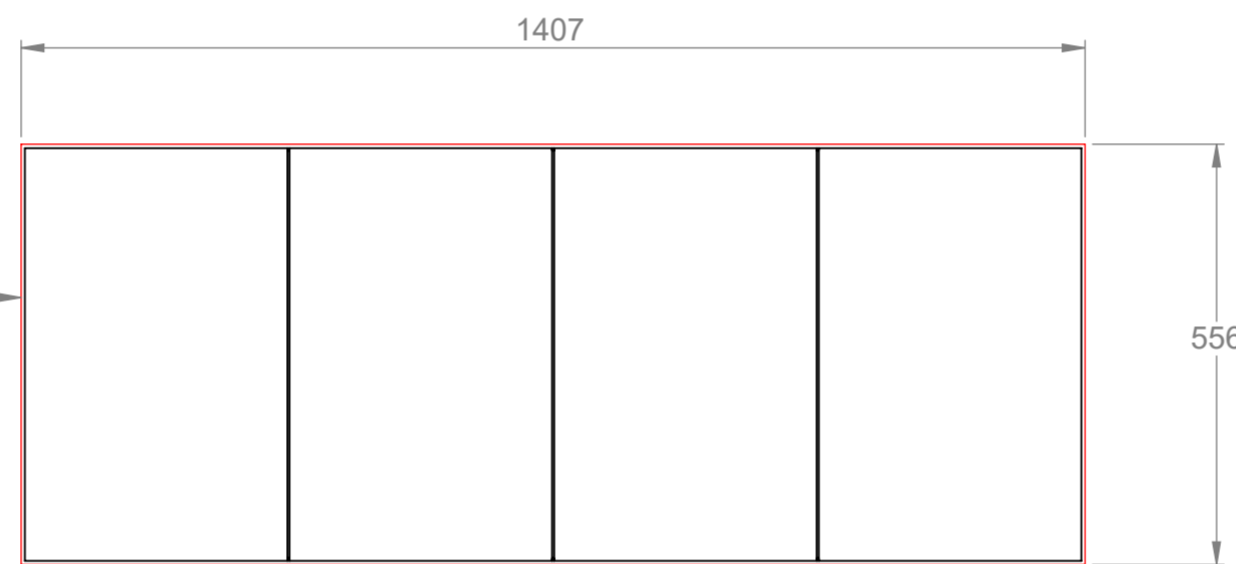


On/Off Switch
 Chilled Controller

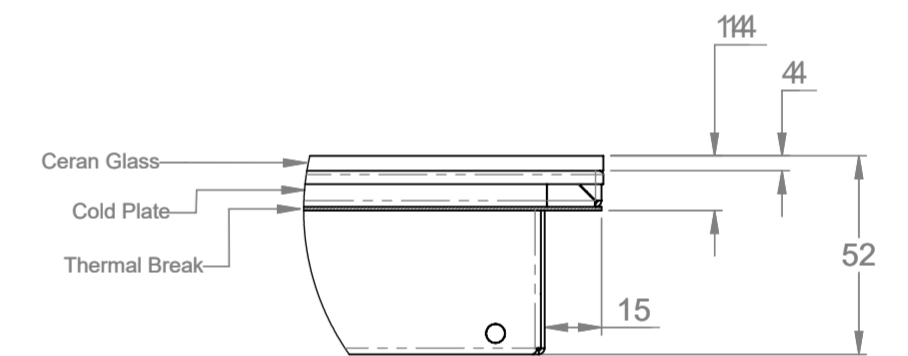
Note : Silicone bead between display and work surface material.

Plan

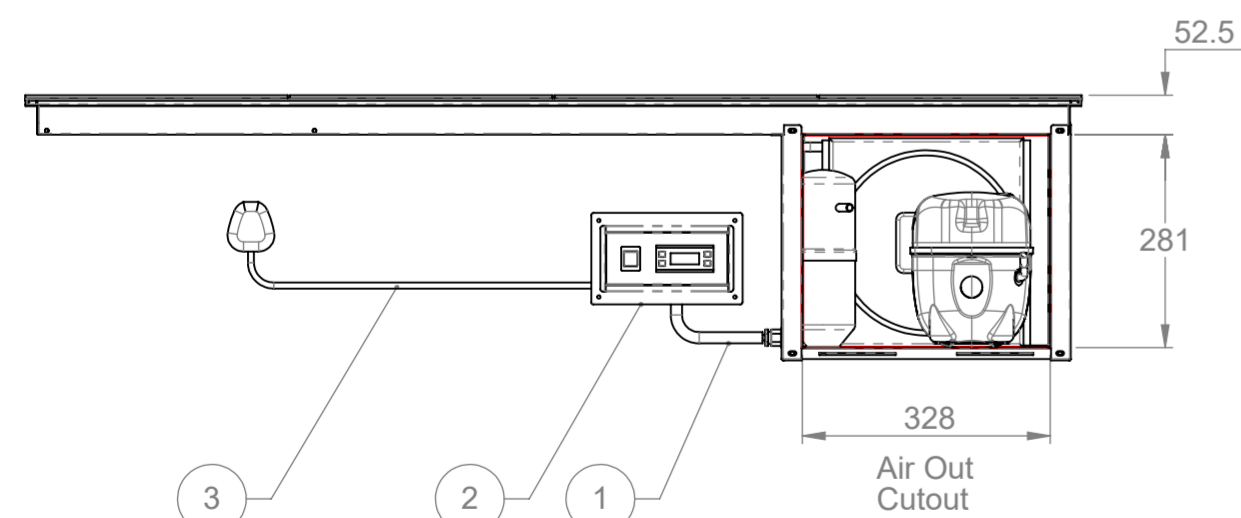
Worktop material Cutout Detail



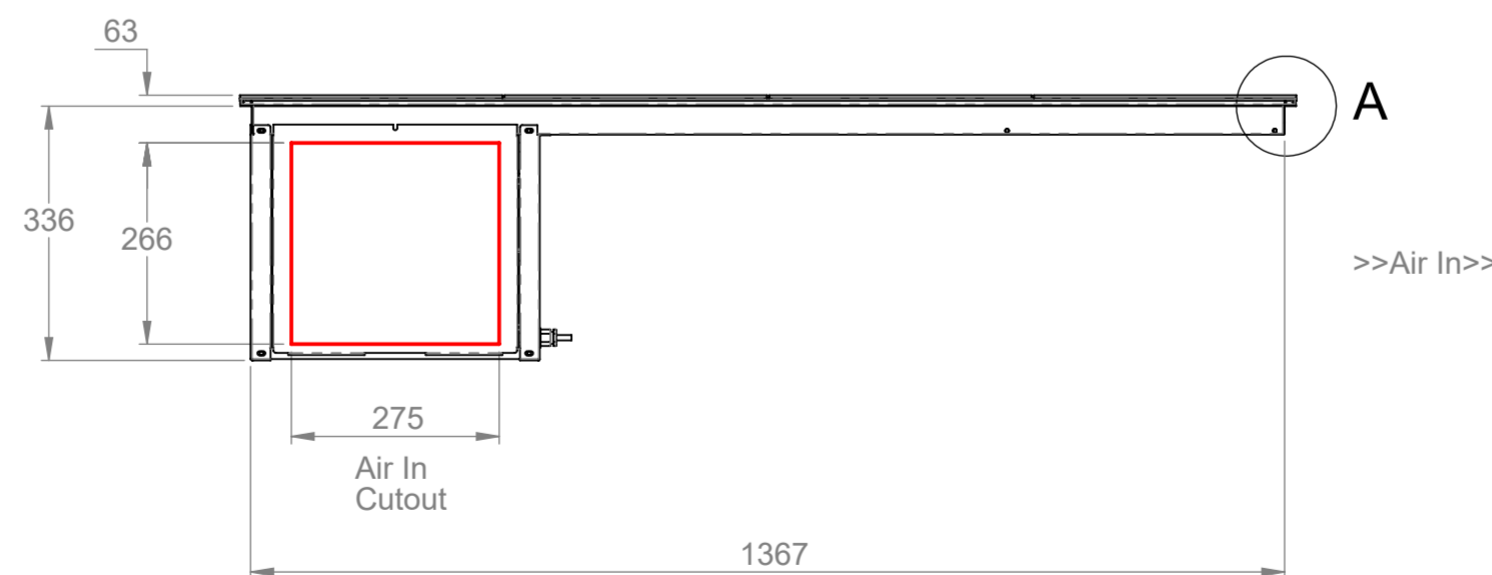
Isometric



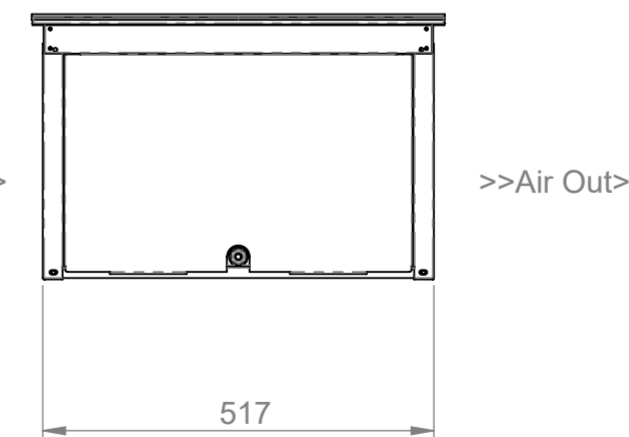
DETAIL A
 SCALE 1 : 2



End elevation



Front elevation



End elevation


1. 1mtr Loom to controller.
2. Controller
3. 2.5mtr 13A supply lead.

Important Note:
 Air in supply and airout exhaust must be taken into account when installing the units into your desired location. Supply air and exhaust air openings must be at least 275mm², and free of any obstructions.

Product Code : FT4

Technical Specification:- FT4

Power Supply :	13A 220/240v
Wattage Cold:	0.53 kW
Weight :	55 kg
Operating Temp	(-10)

Issue	Date	Description
counterline 		
<small>Randles Rd, Knowsley Business Park, Merseyside L34 9HZ. Tel: 0151 548 2211 Fax: 0151 549 2179</small>		
Title: 4.1 Frost Top		
Drg No :	Issue:	Date: 03.04.23
23-018--A		Scale: 1:10 @ A2
Drn by: AJ	All dims in MM	Chk'd: Date: