

open fronted ambient self help • freestanding

Image: VOA900



Image: SVOA900



Stock Code	Overall Size	Weight	Wattage
	mm	kg	kw
VOA600	600(w) x 750(d) x 1465(h)	100	0.3
VOA900	900(w) x 750(d) x 1465(h)	140	0.4
VOA1200	1200(w) x 750(d) x 1465(h)	180	0.5

Stock Code	Overall Size	Weight	Wattage
	mm	kg	kw
SVOA600	600(w) x 750(d) x 1470(h)	106	0.3
SVOA900	900(w) x 750(d) x 1470(h)	148	0.4
SVOA1200	1200(w) x 750(d) x 1470(h)	190	0.5

- Open fronted self help service with open back, to four levels of display.
- Ideal for ambient products such as fruit, muffins, donuts, cakes, danish pastries scone and cereals.
- Internal shelving adjustable in height and angle for improved product visibility.
- Low Energy LED illumination to all levels.
- UV bonded, toughened glass canopy and sneeze screen (Square profile).
- 2 non-braked and 2 braked castor's below with foot option available.
- Curved profile design matches Counterlines Integrale & Da Vinci ranges of Patisseries, Dole Wells, Multidecks, Bain Maries and Hotplates.
- Square profile design matches Counterlines Manhattan range of Patisseries, Wells, Multidecks, Bain Maries and Hotplates.
- Allowing 24 hour operation.
- 3.5m supply lead with 13A plug as standard.

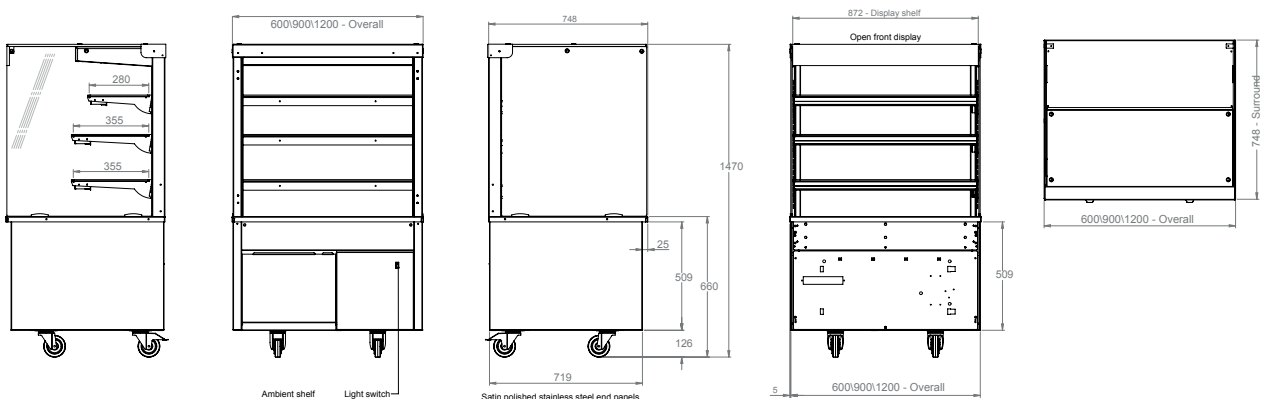
optional extras



- Security Features.
- Fascia panels.
- Point of Sale - Ticket Strip Holders.
- Wire impulse baskets.
- Insulated night blind (Square Form Factor only).
- Custom specific branding & design adjustments.
- Castor Alternative (Height reducing feet).
- Slimline Version (660mm) available upon request.

technical specifications

Square Form Factor



End Elevation

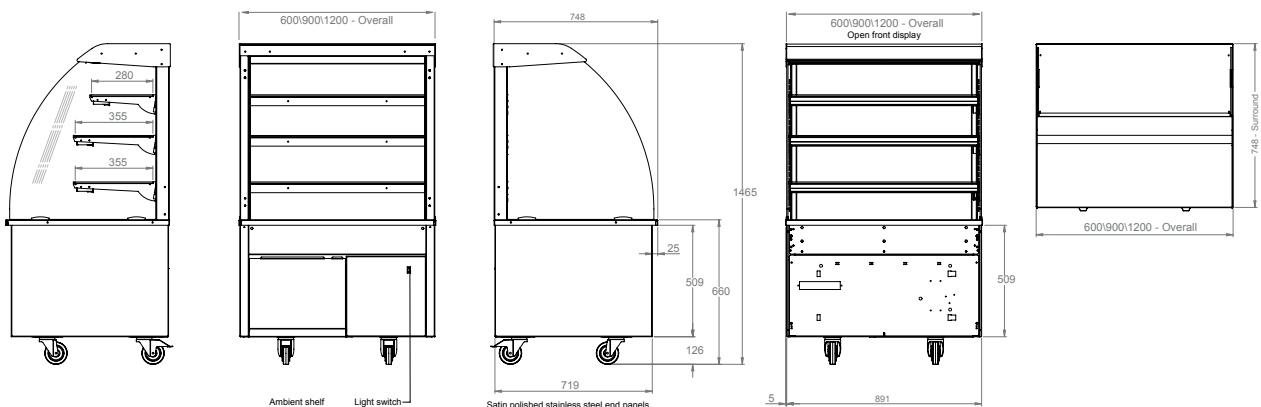
Rear Elevation

End Elevation

Front Elevation

Plan

Curved Form Factor



End Elevation

Rear Elevation

End Elevation

Front Elevation

Plan