

heated ceramic glass hotplate



- Perfect for presenting pre-cooked food at a regulated temperature for self help service.
- Accepting GN containers up to a maximum depth of 65mm.
- Individual control for top and bottom heat sources to ensure an even distribution.
- UV bonded, toughened glass sneeze screen included as standard.

MHCTCGH2



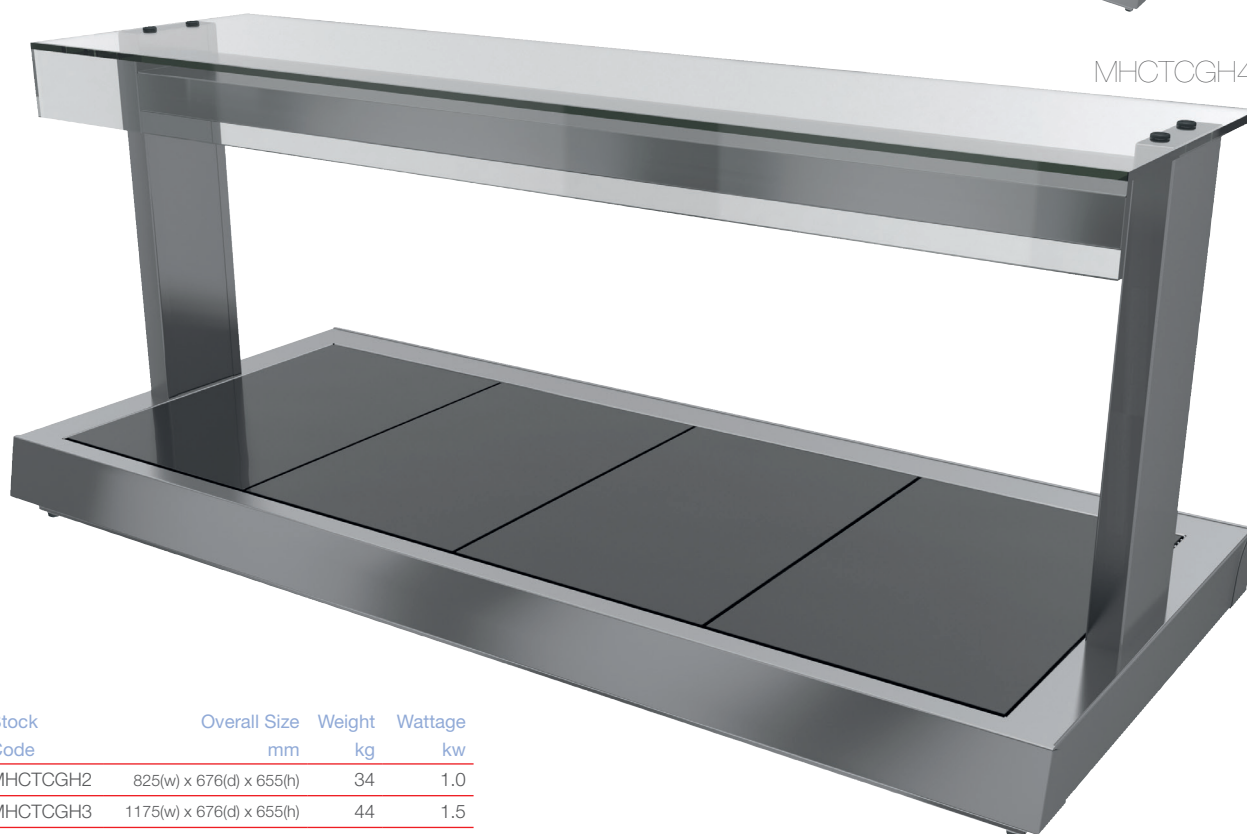
optional extras

- Fully enclosed displays available for assisted service.
- Hydraulic gas assisted hinges for Lift Up glass models.
- Custom specific branding & design adjustments.

MHCTCGH3



MHCTCGH4

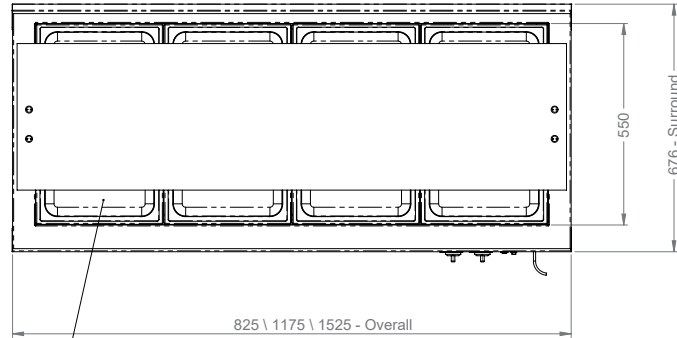


Stock Code	Overall Size mm	Weight kg	Wattage kw
MHCTCGH2	825(w) x 676(d) x 655(h)	34	1.0
MHCTCGH3	1175(w) x 676(d) x 655(h)	44	1.5
MHCTCGH4	1525(w) x 676(d) x 655(h)	55	1.9

technical specifications

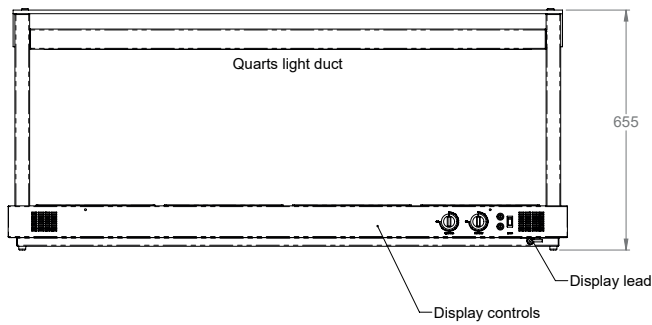


Plan

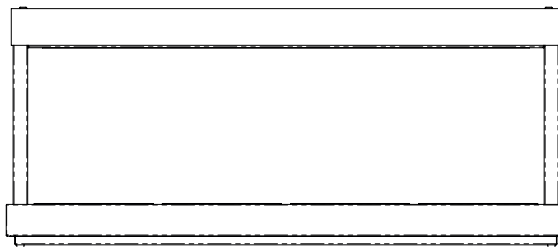


Bain marie accepts 4 off
 1/1 GN containers 65mm deep
 (GN Containers supplied by others)

Rear Elevation



Front Elevation



End Elevation

