

manhattan • chilled display deck



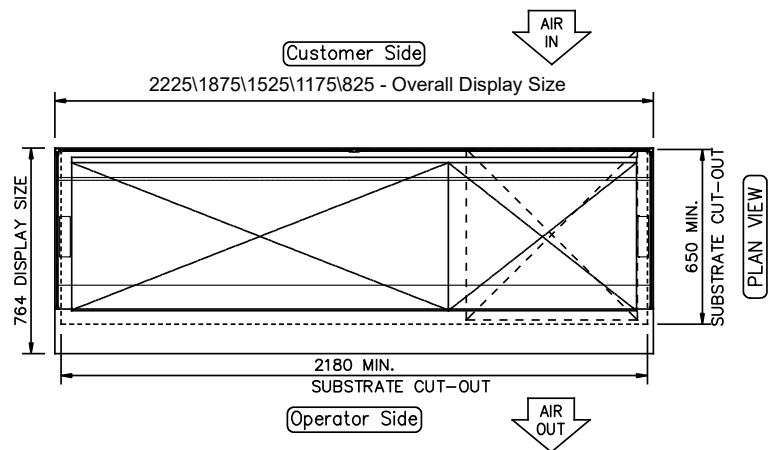
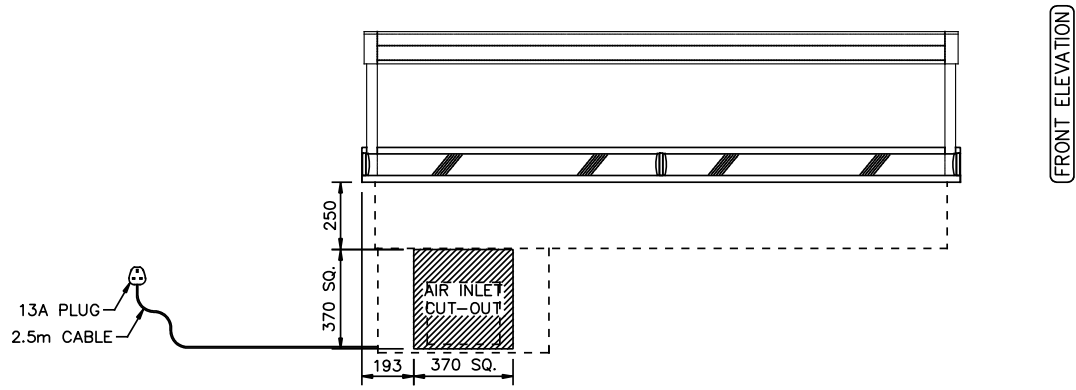
Image: MCDK4-GO



Stock Code	Capacity (gn)	Overall Size (mm)	Weight (kg)	Wattage (kw)
MCDK2-GO	2/1	825 x 764 x 560h	124	1.4
MCDK3-GO	3/1	1175 x 764 x 560h	142	1.7
MCDK4-GO	4/1	1525 x 764 x 560h	168	1.9
MCDK5-GO	5/1	1875 x 764 x 560h	181	1.9
MCDK6-GO	6/1	2225 x 764 x 560h	198	2.2

- Flat bed chilled deck, which is perfect for the display of salads, drinks and fruit.
- Gentle flow of convected air maintains pre-chilled food at a safe regulated temperature.
- The angle of the display deck can be adjusted for enhanced presentation.
- Raised rear preparation shelf and glass riser to retain chilled air.
- Gantry mounted controller installed on operators side (GO) as standard.
- The gantry controller can be installed on customer side (GC) on request.
- A wide range of optional extras are available for this display.

technical specifications



NOTE:
 IF DISPLAY IS TO BE FLUSH
 MOUNTED INTO WORKTOP,
 ADD 4 – 6mm TO DISPLAY
 SIZES FOR WORKTOP CUT-OUT

