

heated ceramic glass hotplate



- Perfect for presenting pre-cooked food at a regulated temperature for self help service.
- Accepting GN containers up to a maximum depth of 65mm.
- Individual control for top and bottom heat sources to ensure an even distribution.
- Curved glass sneeze screen included as standard.

IHCTCGH2



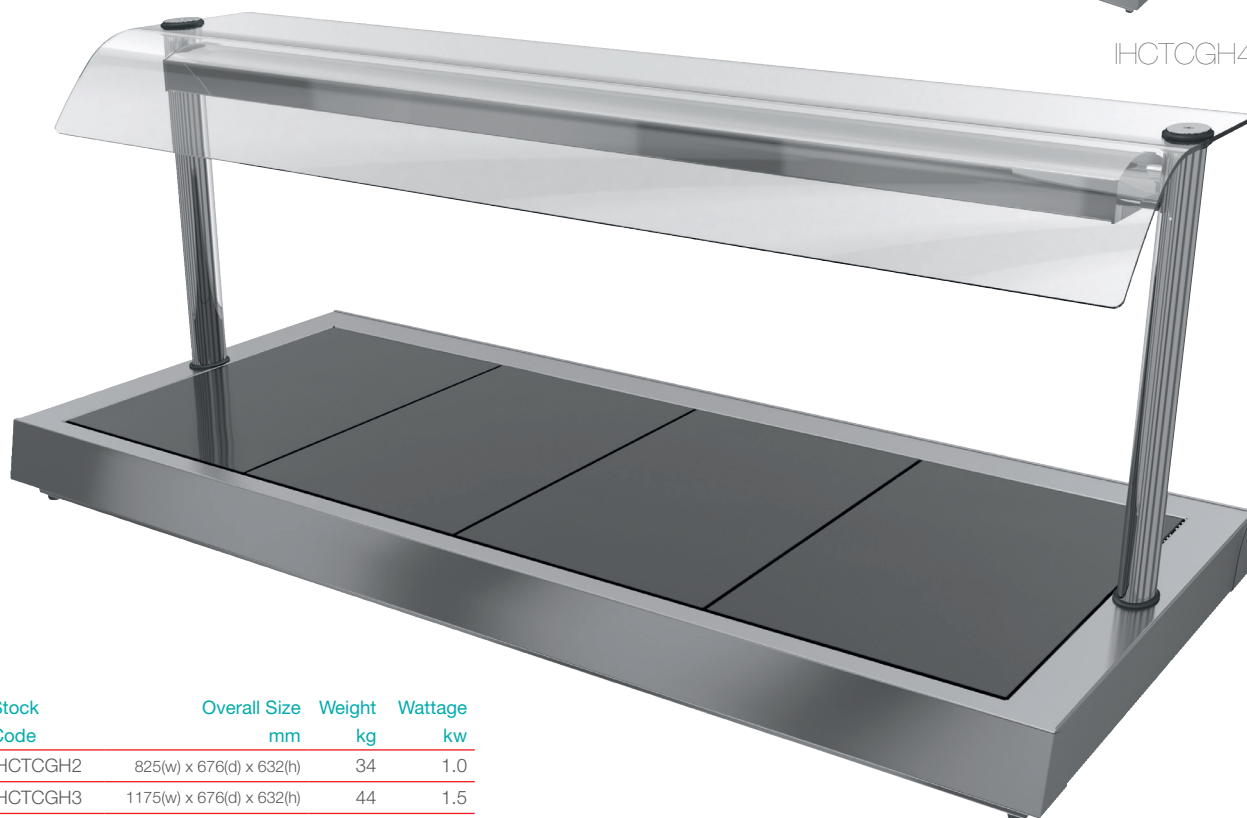
optional extras

- Fully enclosed displays available for assisted service.
- Custom specific branding & design adjustments.

IHCTCGH3



IHCTCGH4

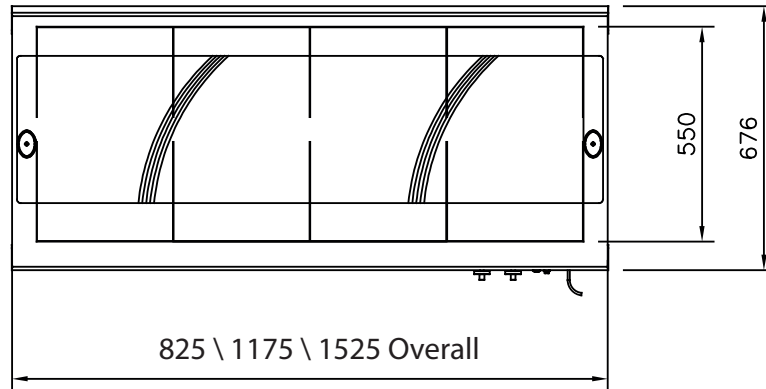


Stock Code	Overall Size mm	Weight kg	Wattage kw
IHCTCGH2	825(w) x 676(d) x 632(h)	34	1.0
IHCTCGH3	1175(w) x 676(d) x 632(h)	44	1.5
IHCTCGH4	1525(w) x 676(d) x 632(h)	55	1.9

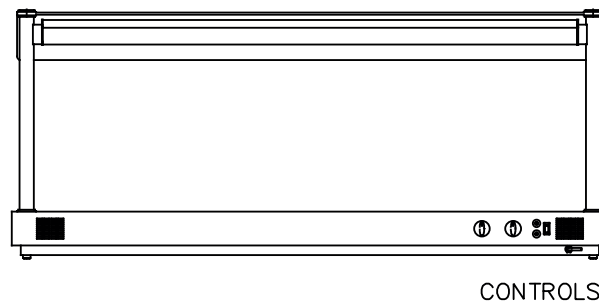
technical specifications



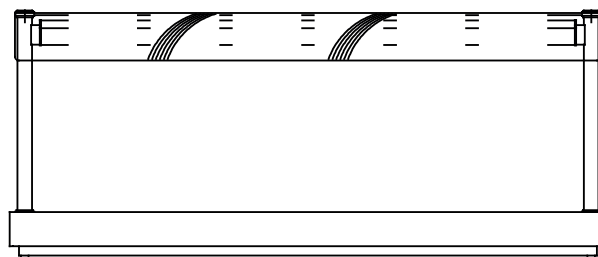
Plan



Rear Elevation



Front Elevation



End Elevation

