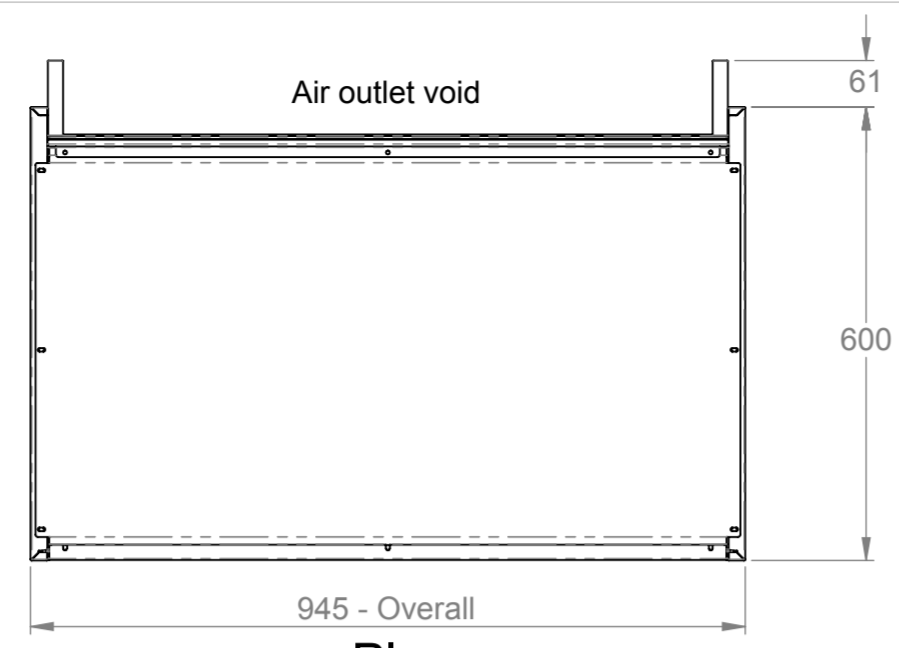
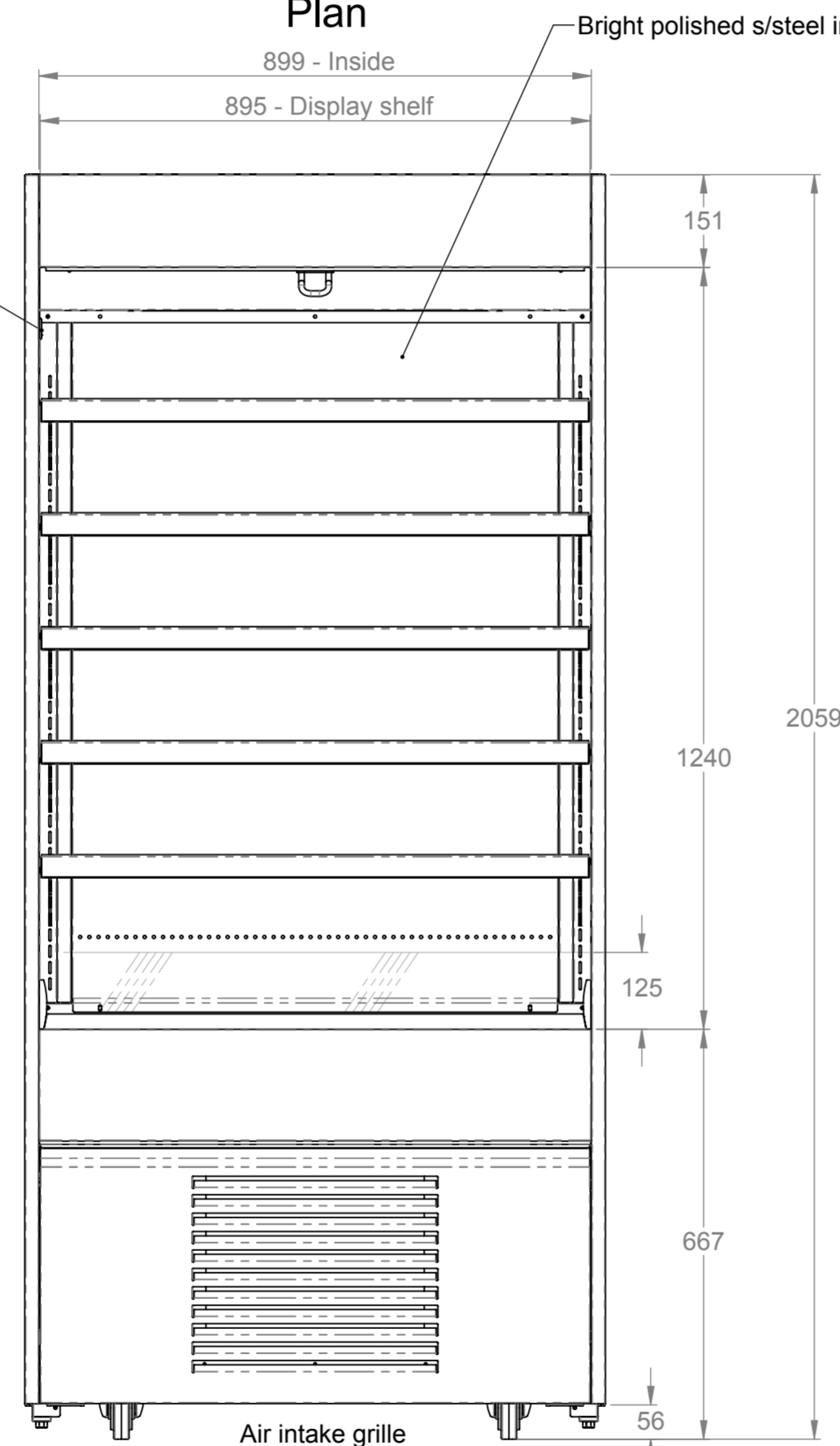
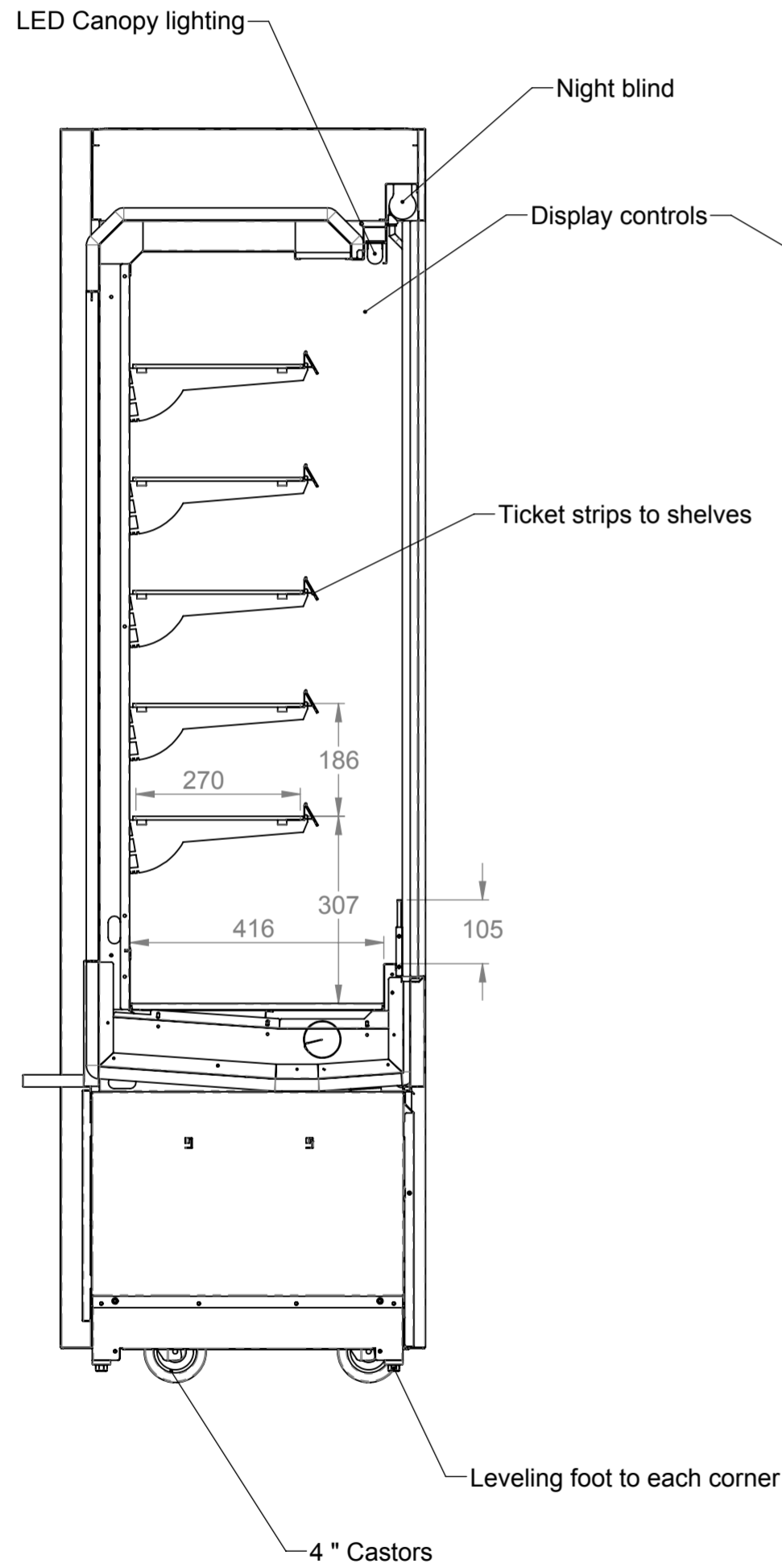




This drawing and the information properties contained there on is the property of Counterline Ltd and must not be copied or issued to a third party without the prior consent of Counterline Ltd.



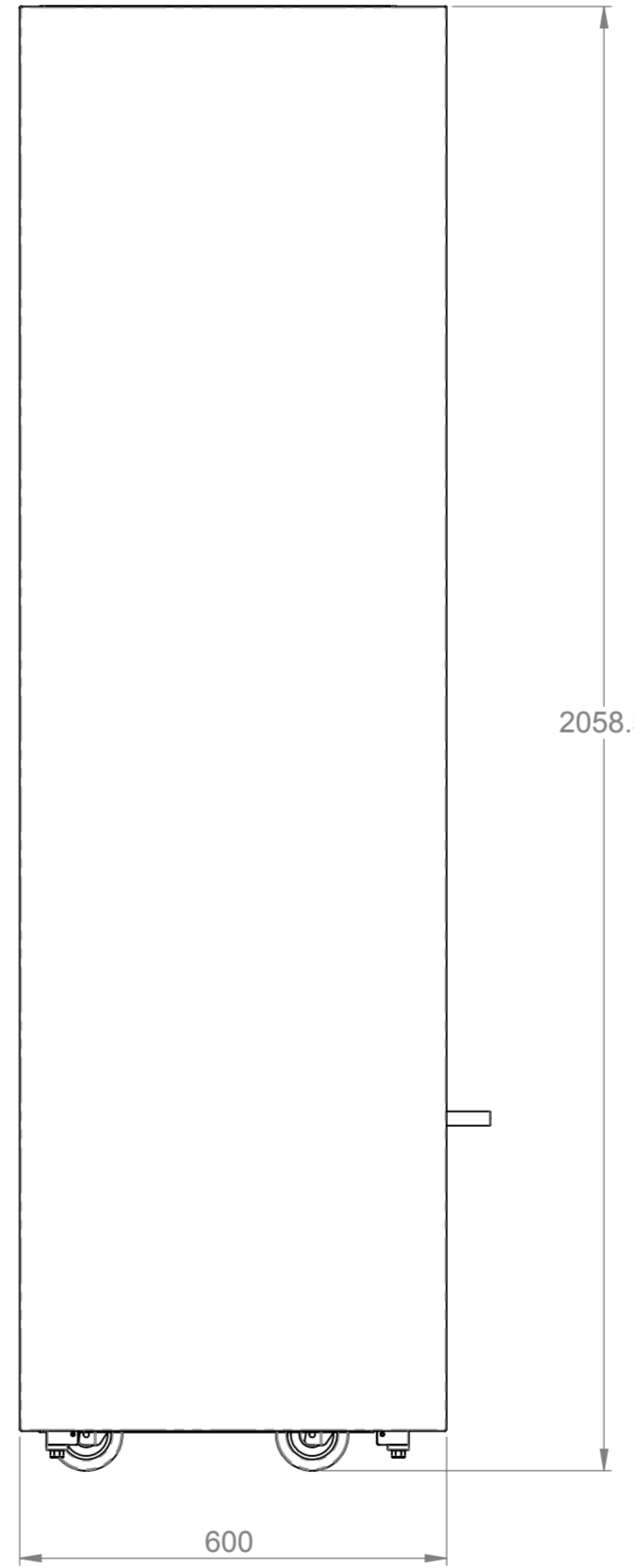
Plan



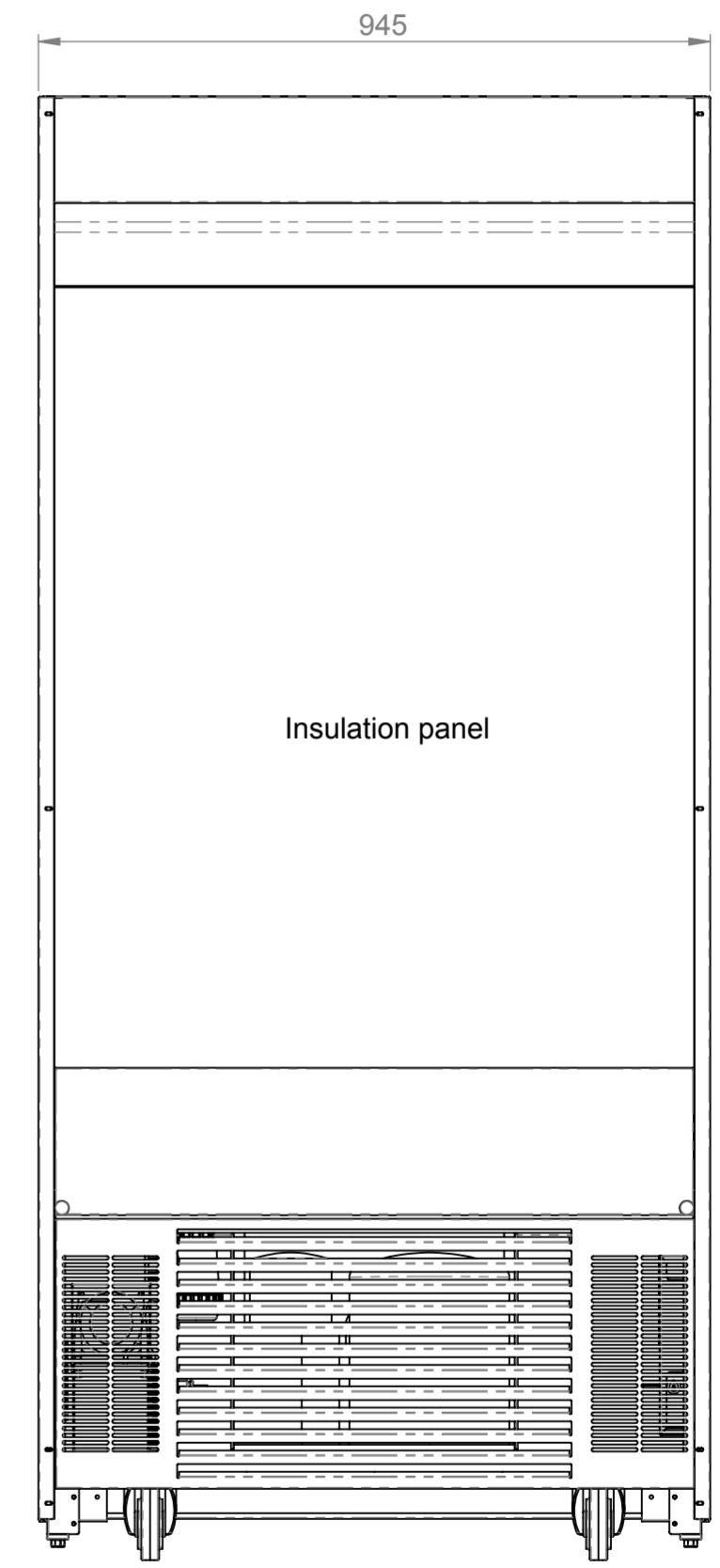
Front elevation

Bright polished s/steel internal panels

Satin polished s/steel front & end panels



End elevation



Rear elevation

ELECTRICAL SPEC - 13A, 230V, 2.7Kw
Via 13 Amp plugtop on 2.5 Metre lead
Weight - 200 Kg Approx

Assembly No - CHCNTMD09-NB

Issue	Date	Description
<p>Randles Rd, Knowsley Business Park, Merseyside L34 9HZ. Tel: 0151 548 2211 Fax: 0151 549 2179</p>		
Title: Chilled Multi Tier Narrow 900 Tall		
Drg No :	Issue:	Date: 26/06/2017
17-164--A		Scale: 1:10 @ A2
Drn by: G Burgess		Chk'd:
All dims in MM		Date: