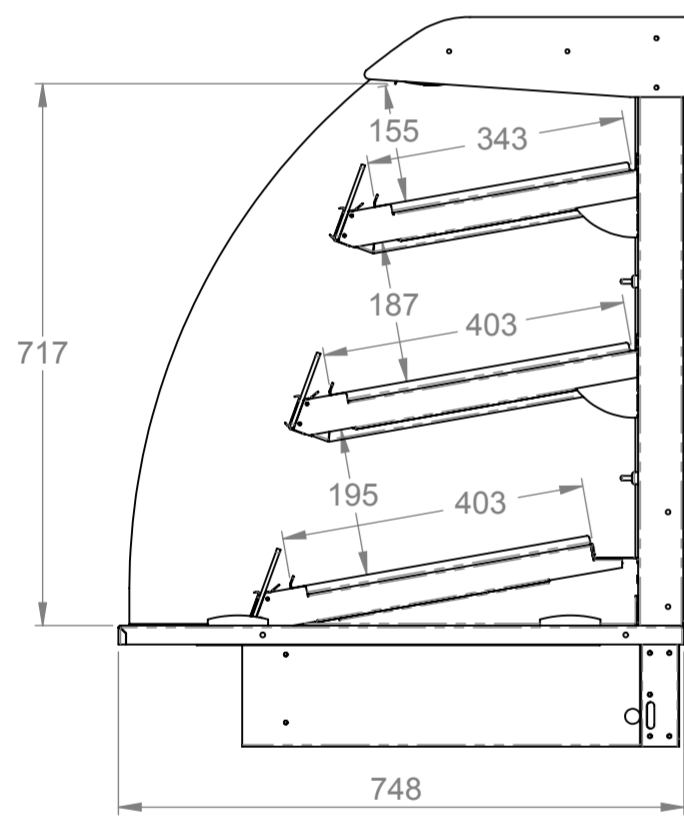
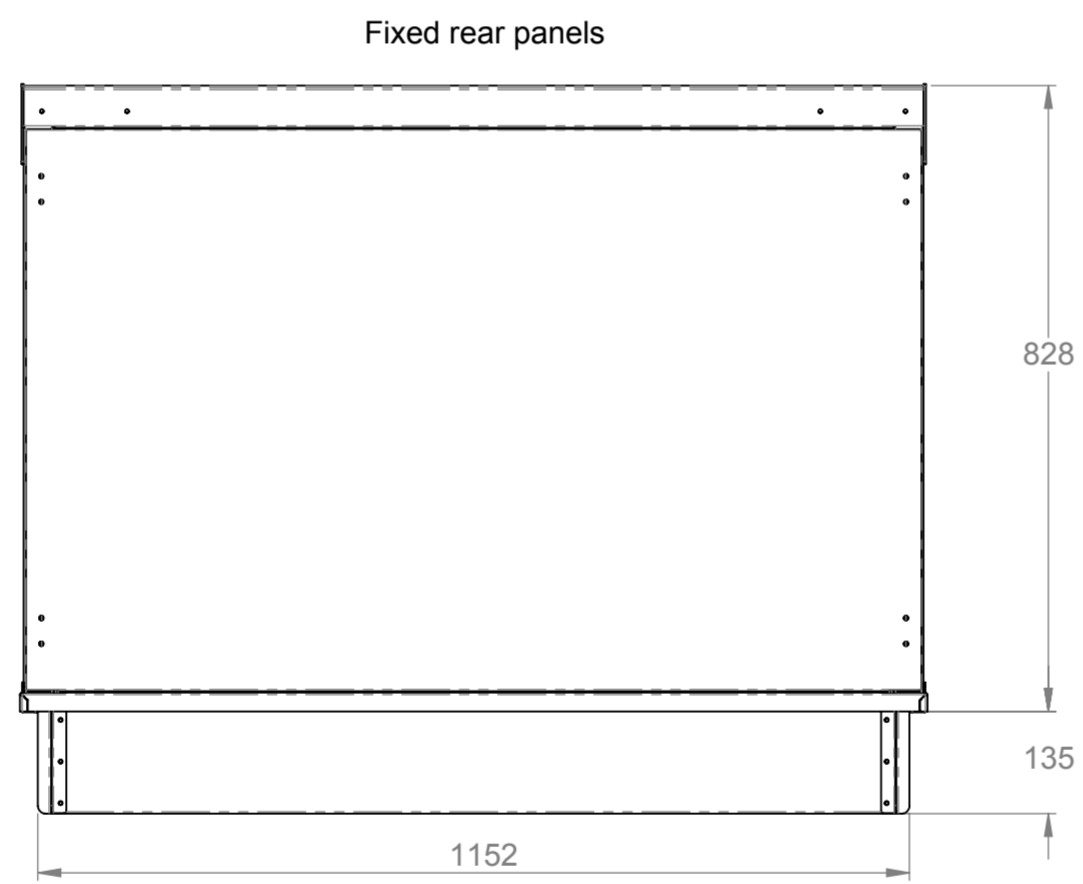


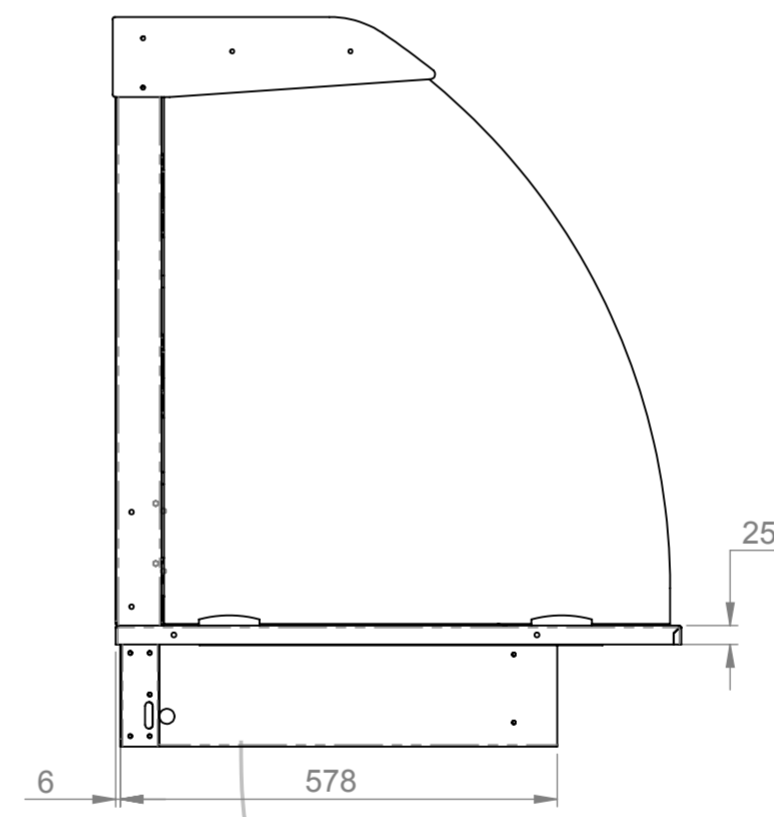
Plan



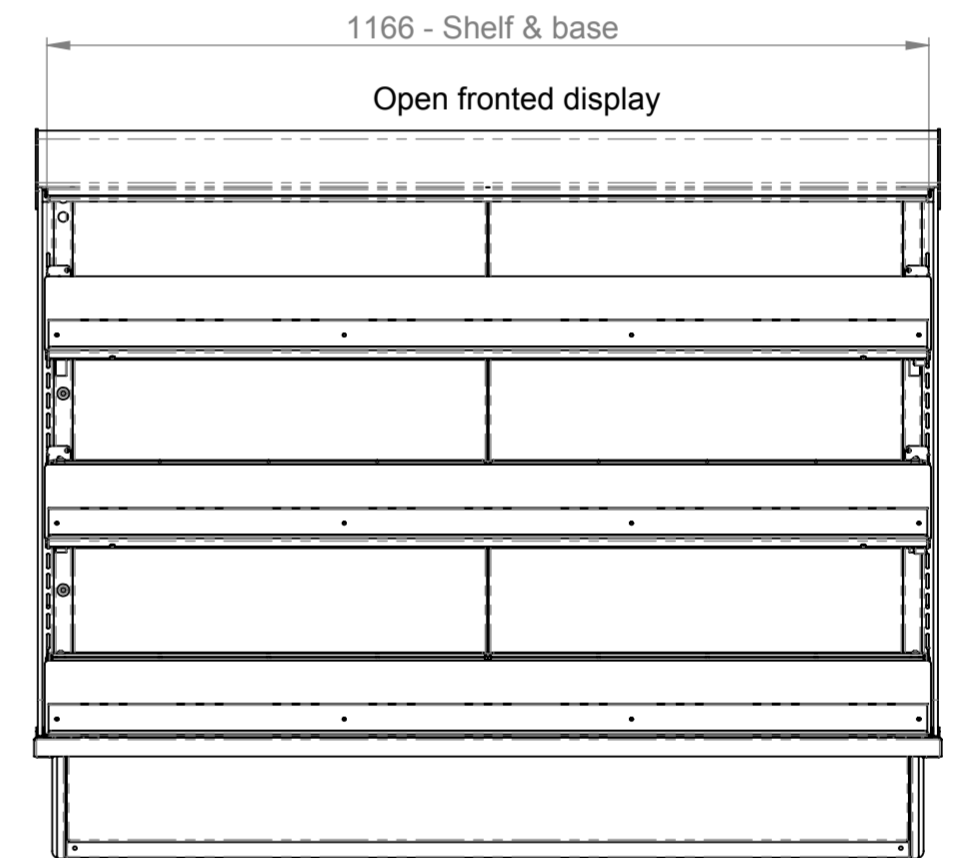
End elevation



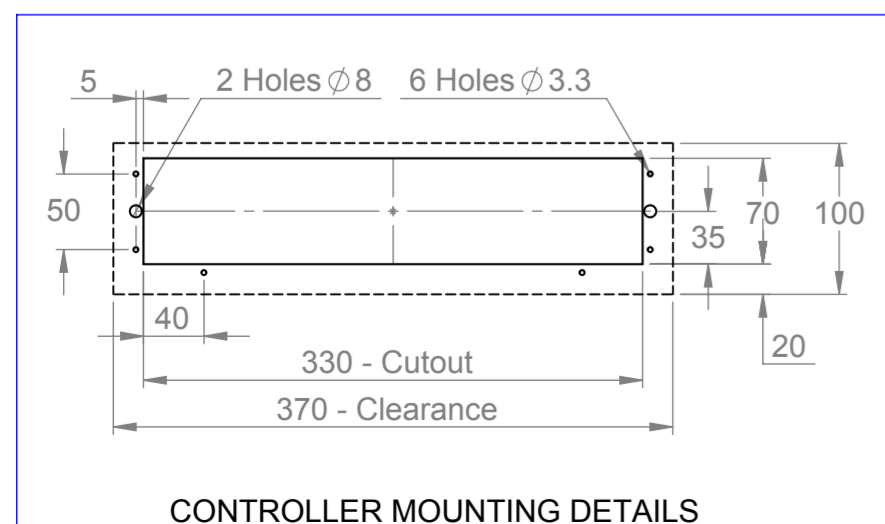
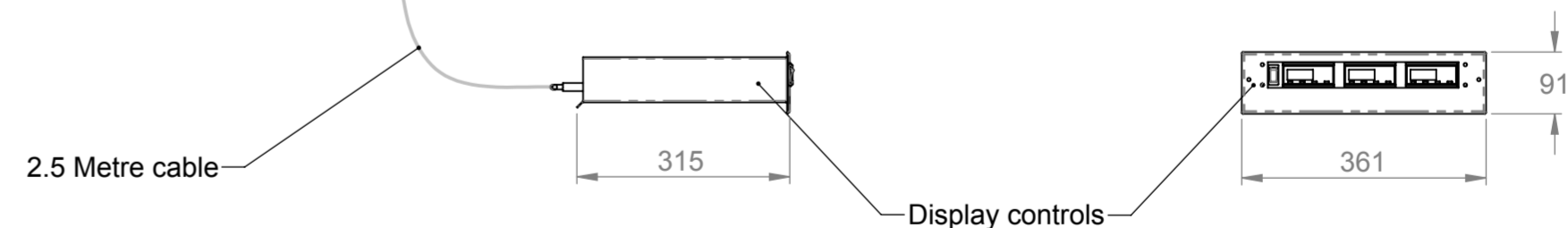
Rear elevation



End elevation



Front elevation




CONTROLLER MOUNTING DETAILS

Display controller to be located in an accessible position & the void temperature should not exceed 50°C

Electrical Spec - 13A, 230V, (min 2.0Kw - max 3.0Kw) via 13A plug top on 2.5 Metre lead
Weight - 87Kg Approx

Assembly No - VOHFDI1200-GC

Issue	Date	Description
 Randles Rd, Knowsley Business Park, Merseyside L34 9HZ. Tel: 0151 548 2211 Fax: 0151 549 2179		
Title: Vision Open Heated Display 1200 Long Fixed Back		
Drg No :	Issue:	Date: 25/06/2014
13-224--A		Scale: 1:10 @ A2
Drn by: G Burgess	All dims in MM	Chk'd: Date: