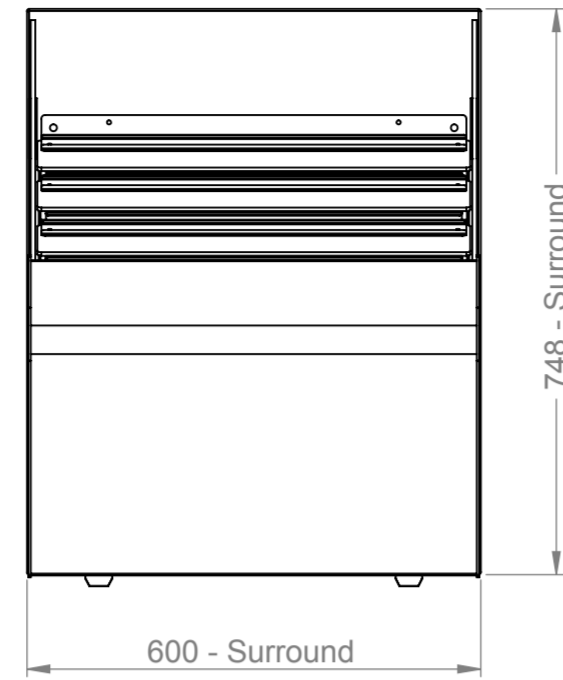
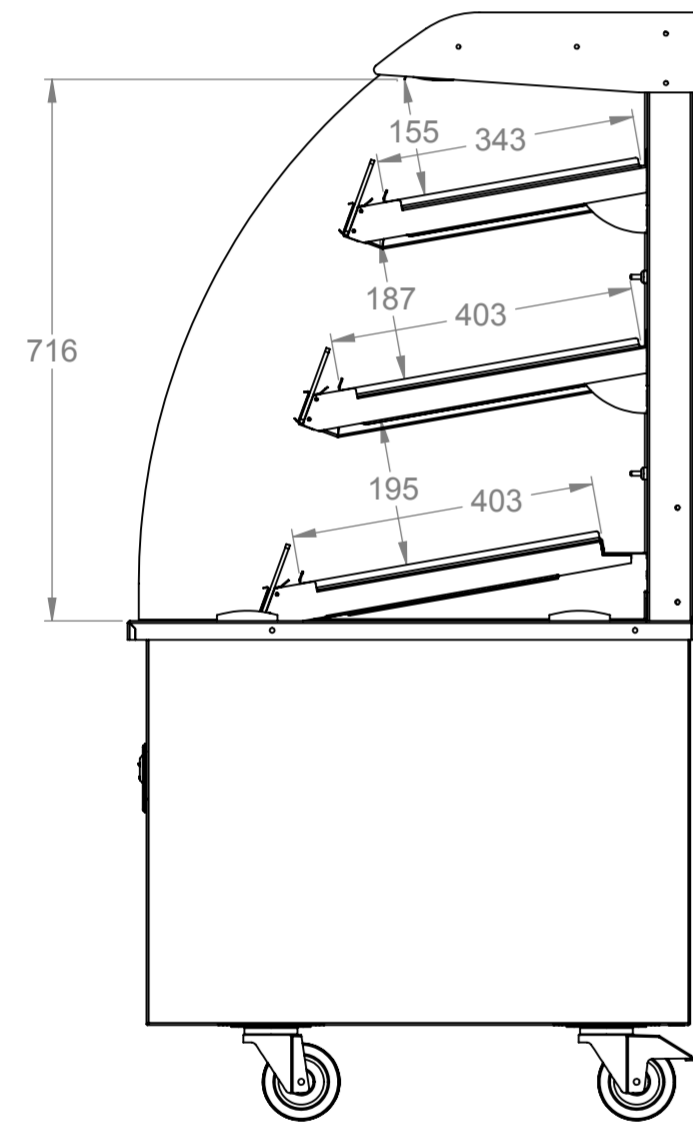




This drawing and the information properties contained there on is the property of Counterline Ltd and must not be copied or issued to a third party without the prior consent of Counterline Ltd.

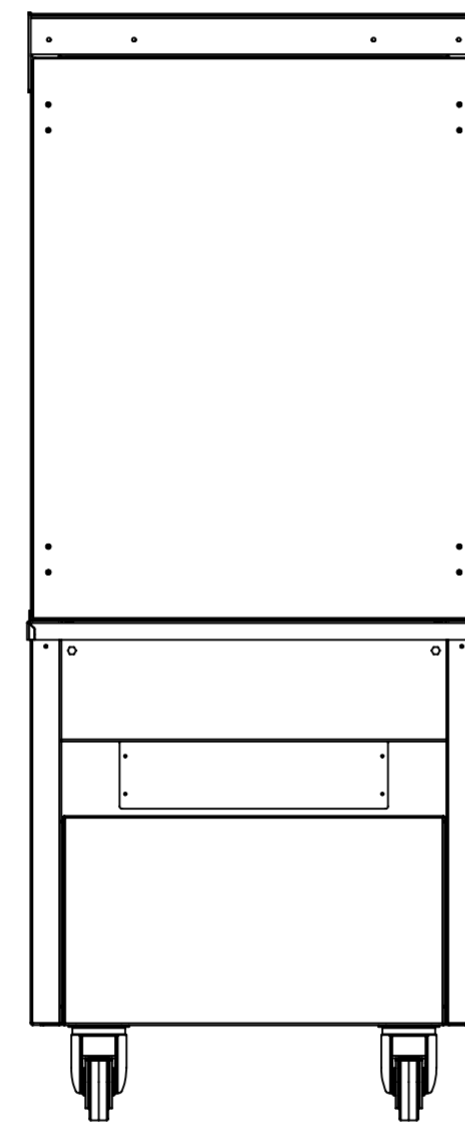


Plan



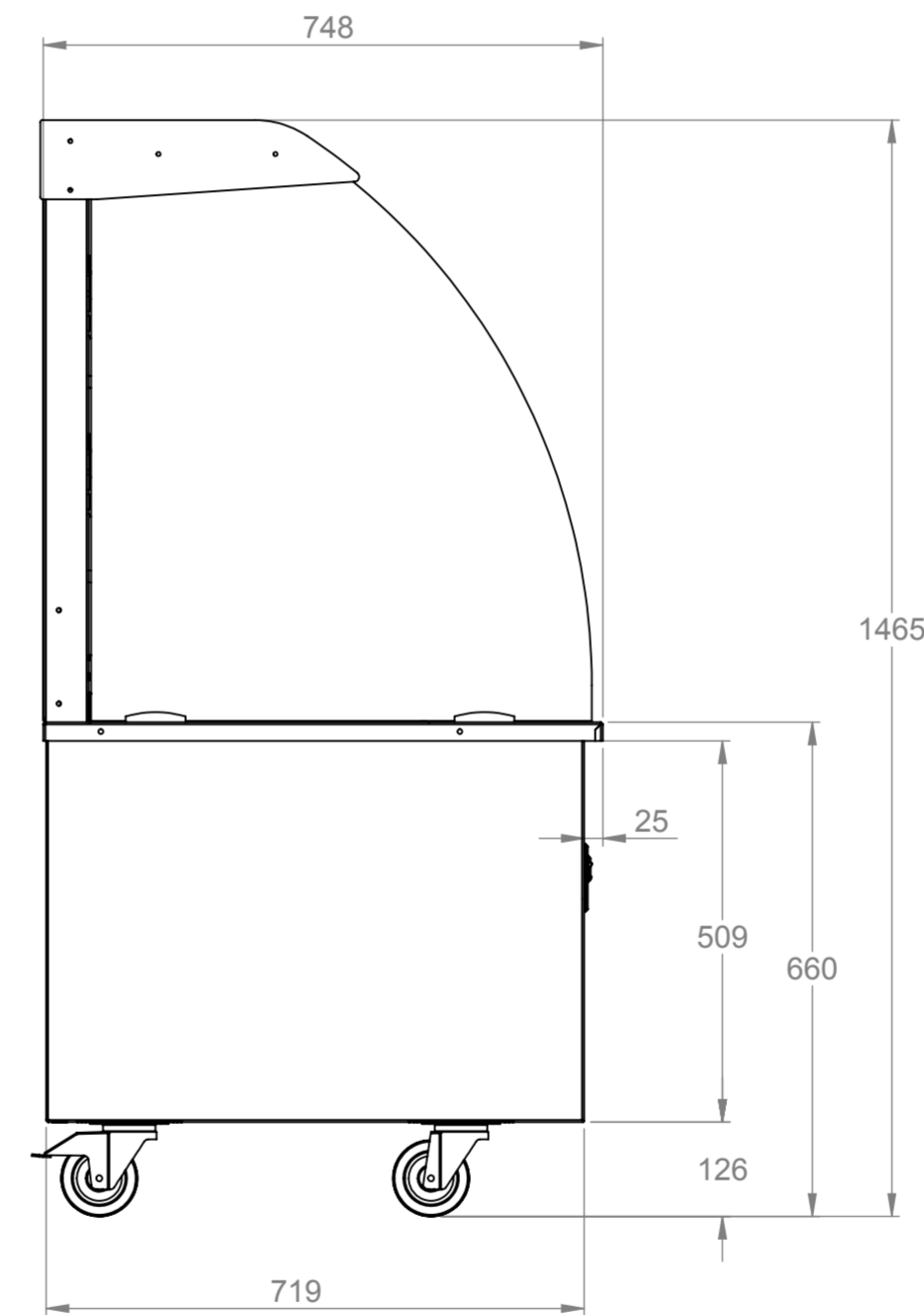
End elevation

Fixed rear panels



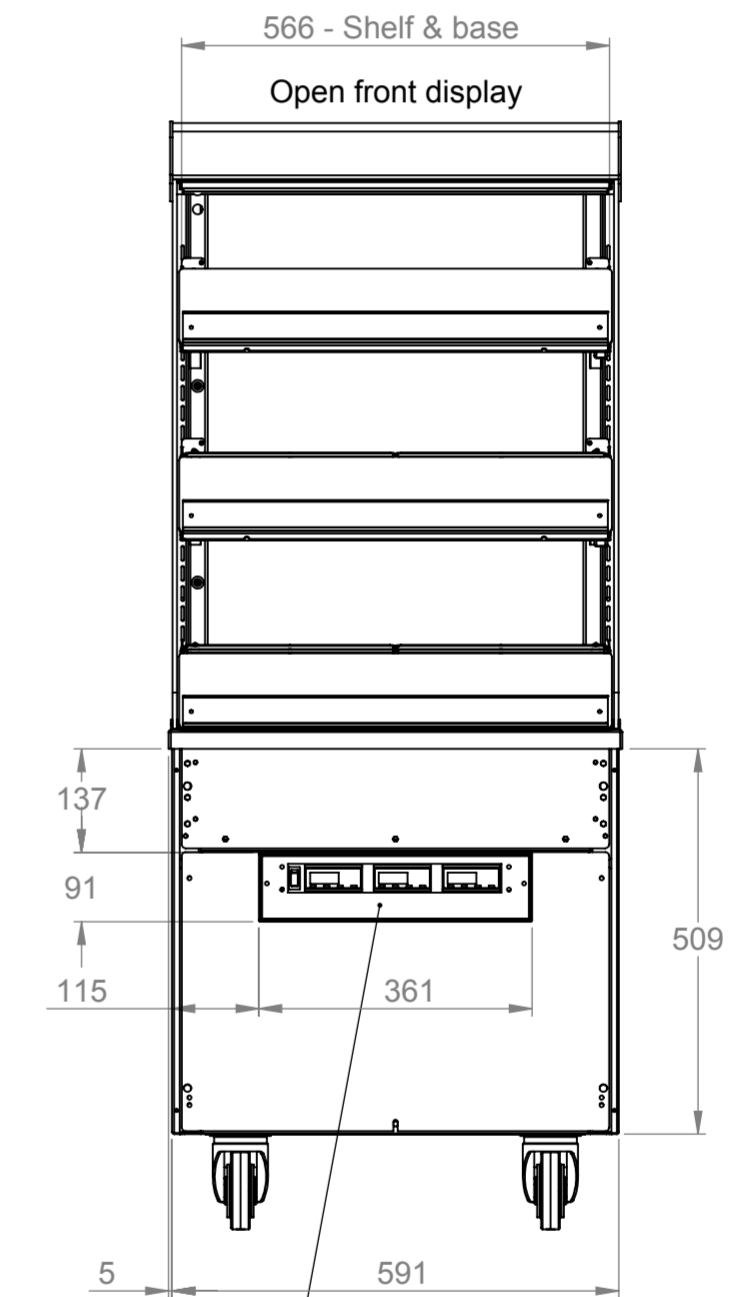
Service void

Rear elevation



Satin polished stainless steel end panels

End elevation



Display controls

Front elevation

Electrical Spec - 13A 230V,
(min 1.5Kw - max 3.0Kw)
via 13 Amp plugtop on 2.5 Metre lead
Weight - 159Kg Approx

Assembly No - VOHF600-GC

Issue	Date	Description
<p>Randles Rd, Knowsley Business Park, Merseyside L34 9HZ. Tel: 0151 548 2211 Fax: 0151 549 2179</p>		
Title: Vision Self Hef Heated Display 600 Long		
Drg No :	Issue:	Date: 25/06/2014
14-111--A		Scale: 1:10 @ A2
		Chk'd:
Drn by: G Burgess	All dims in MM	Date: