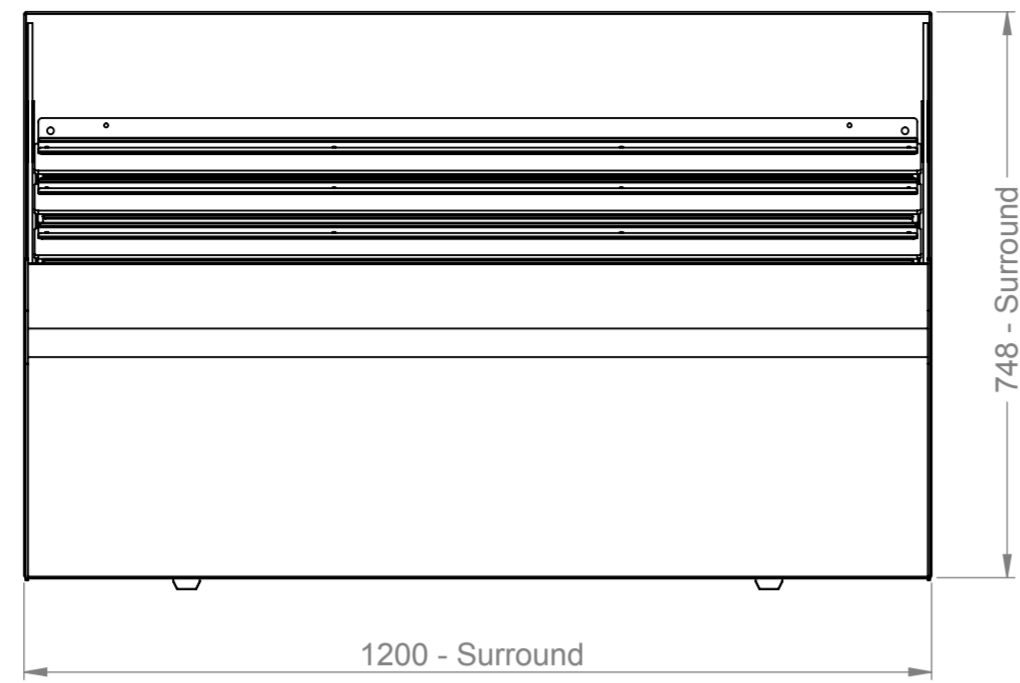


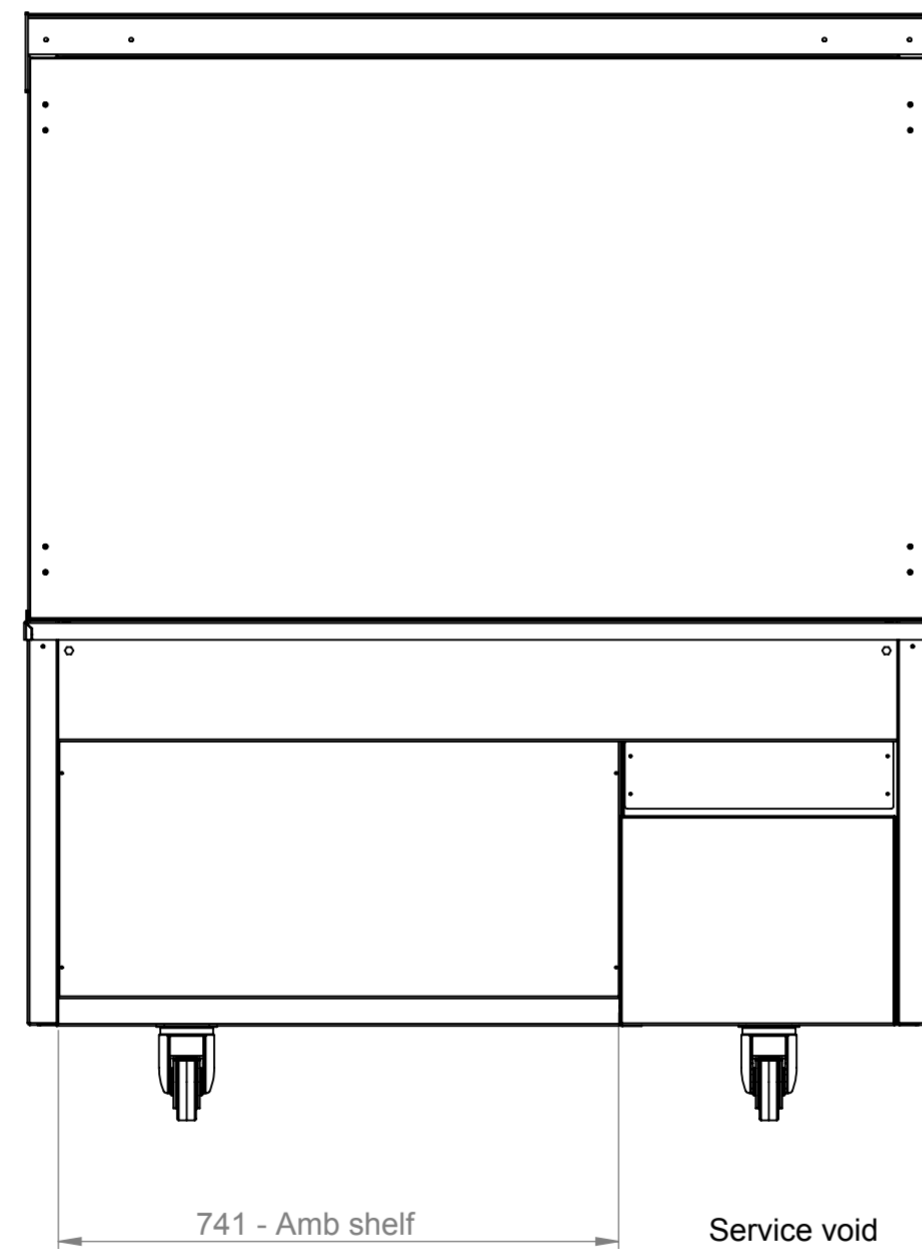


This drawing and the information properties contained there on is the property of Counterline Ltd and must not be copied or issued to a third party without the prior consent of Counterline Ltd.

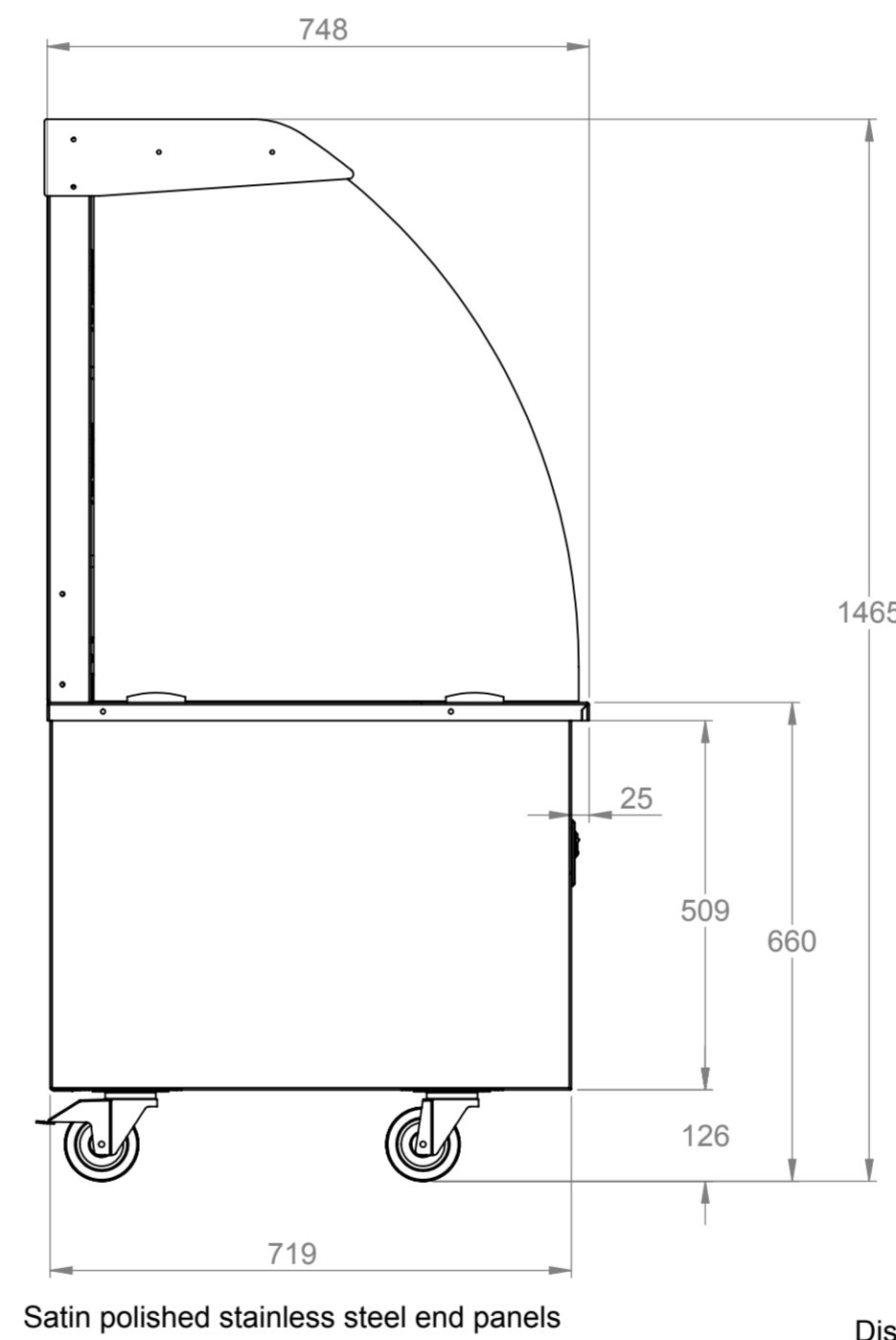


Plan

Fixed rear panels

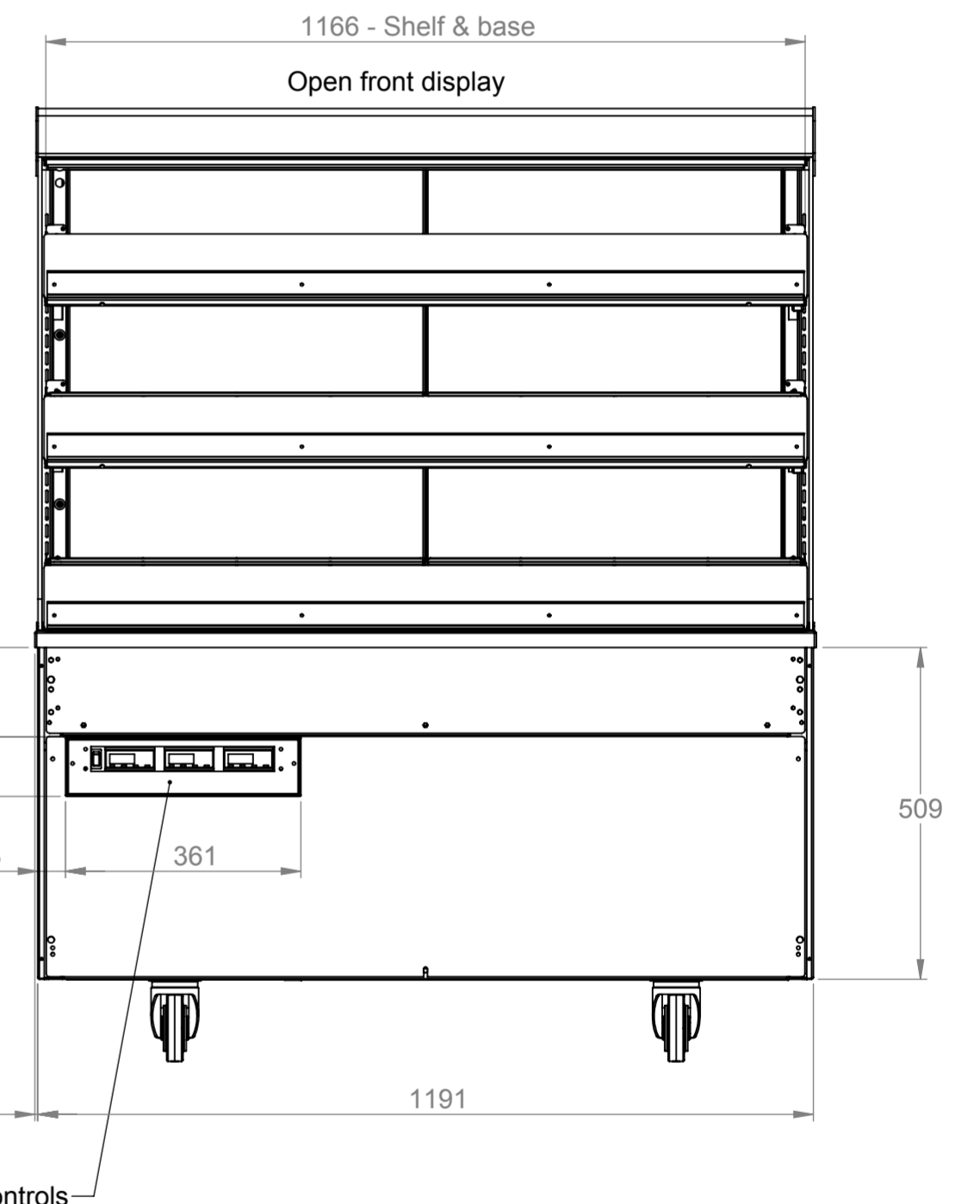


Rear elevation

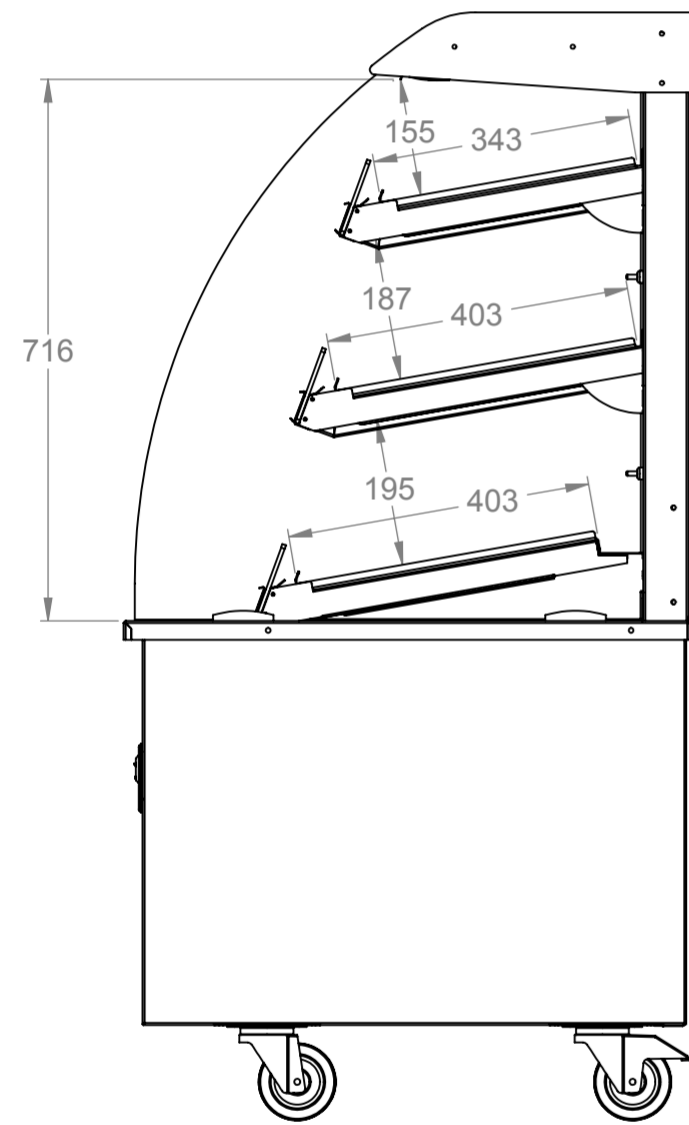


End elevation

Satin polished stainless steel end panels



Front elevation



End elevation

Electrical Spec - 13A 230V,  
(min 1.5Kw - max 3.0Kw)  
via 13 Amp plugtop on 2.5 Metre lead  
Weight - 159Kg Approx

Assembly No - VOHF1200-GC

Issue	Date	Description
<p>Randles Rd, Knowsley Business Park, Merseyside L34 9HZ. Tel: 0151 548 2211 Fax: 0151 549 2179</p>		
Title: Vision Self Help Heated Display 1200 Long Fixed Back		
Drg No :	Issue:	Date: 24/06/2014
14-112--A		Scale: 1:10 @ A2
Drn by: G Burgess		Chk'd:
All dims in MM		Date: