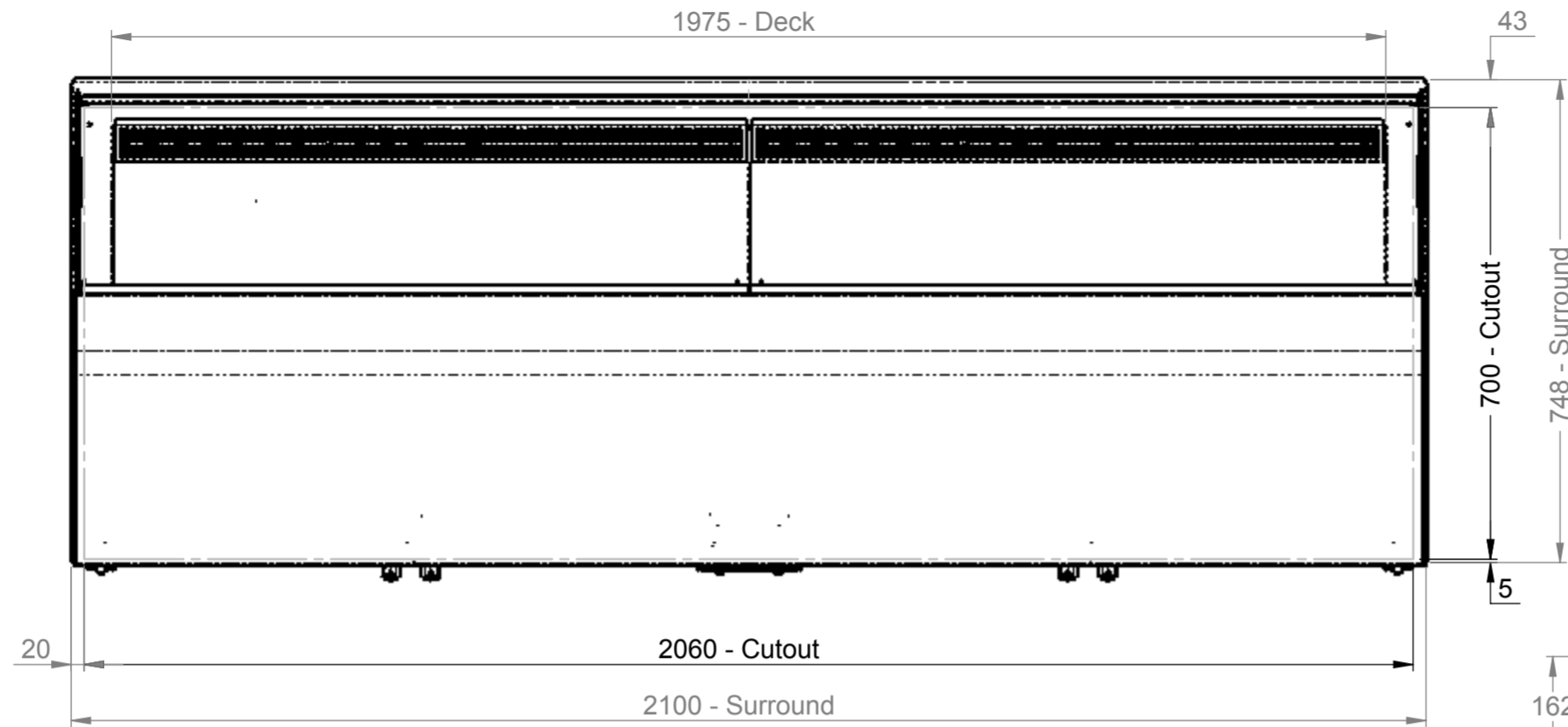
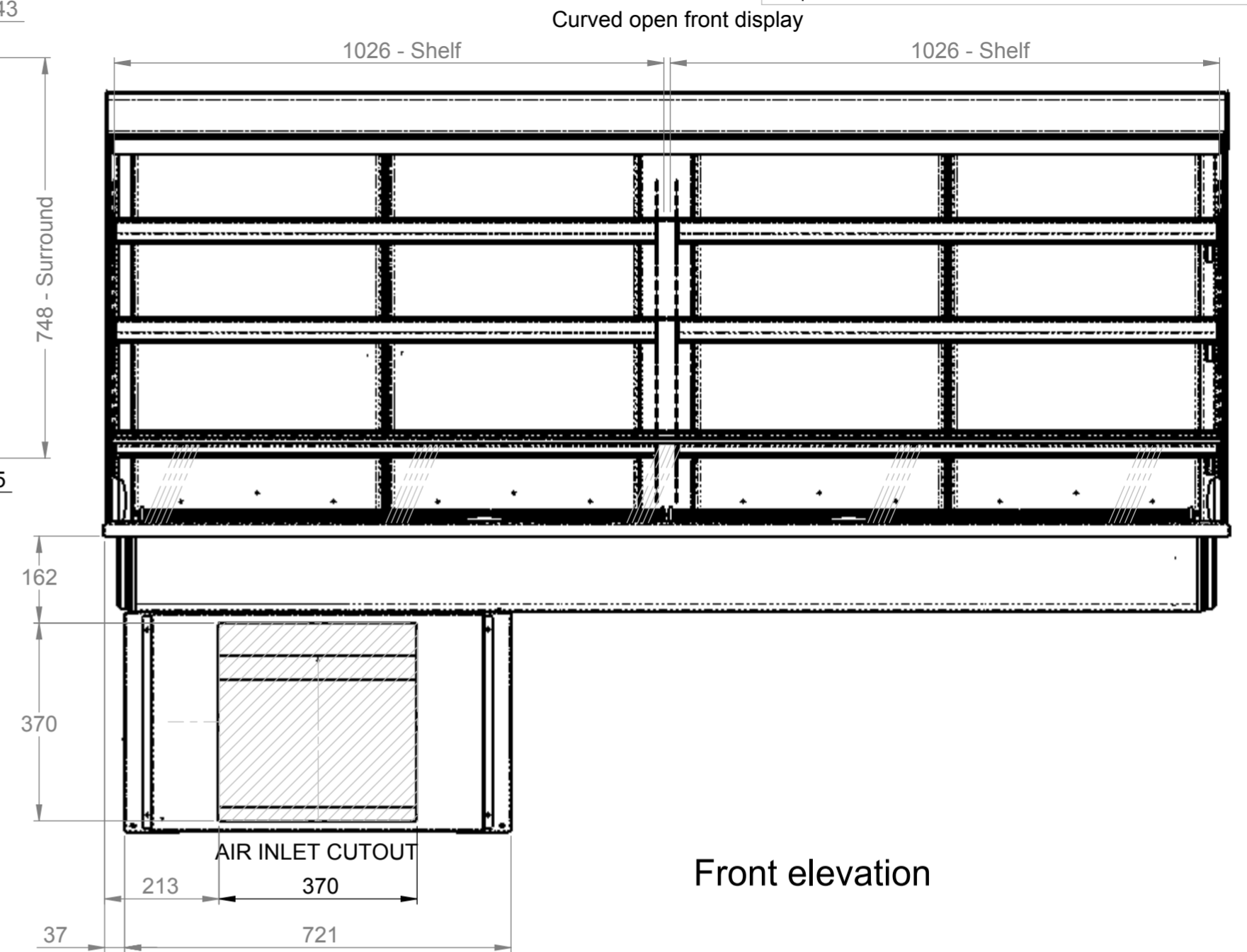


Stainless steel air inlet-outlet grille details

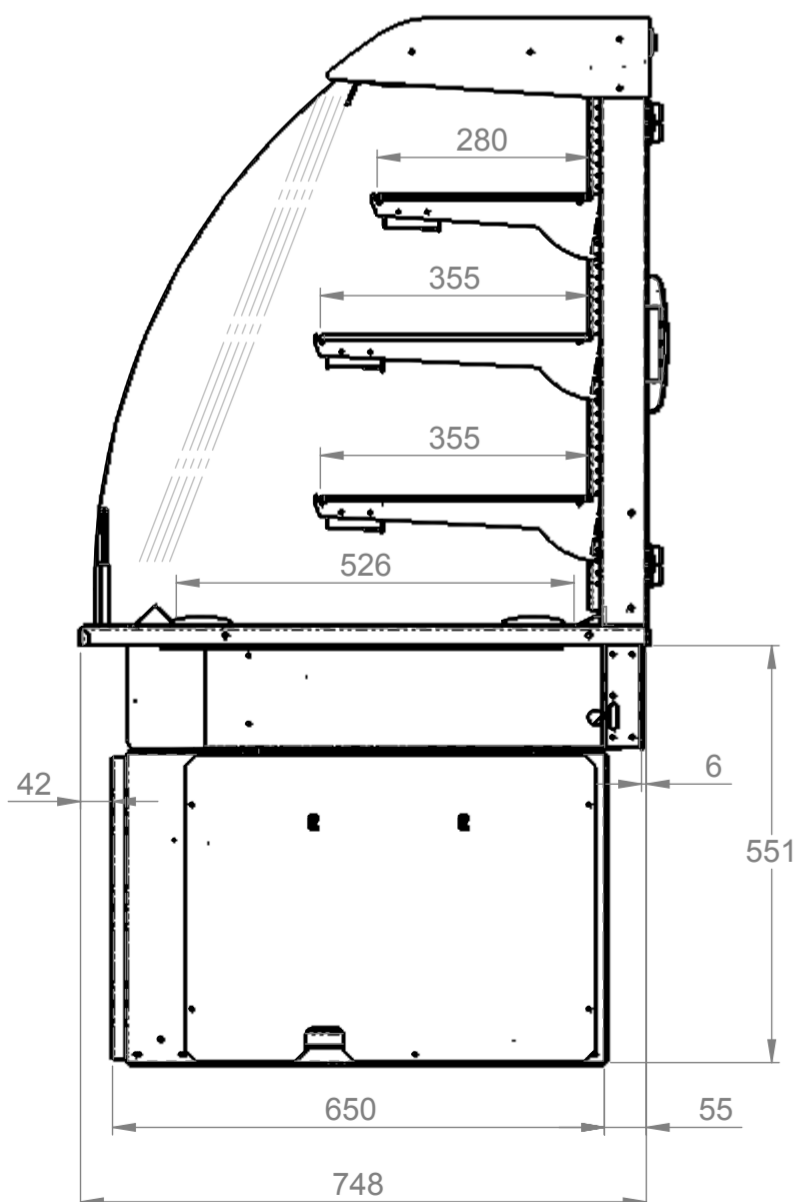


Plan

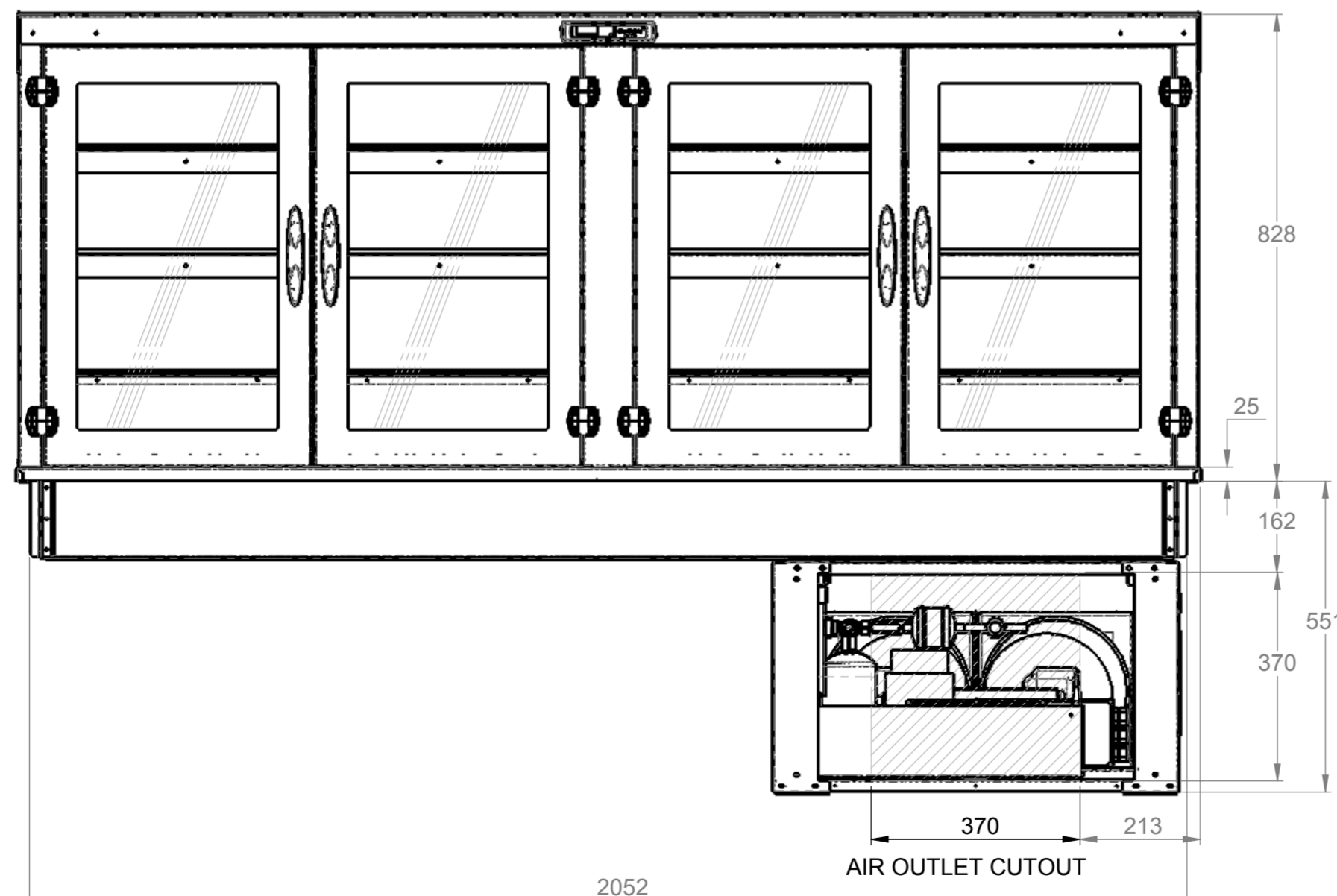


Front elevation

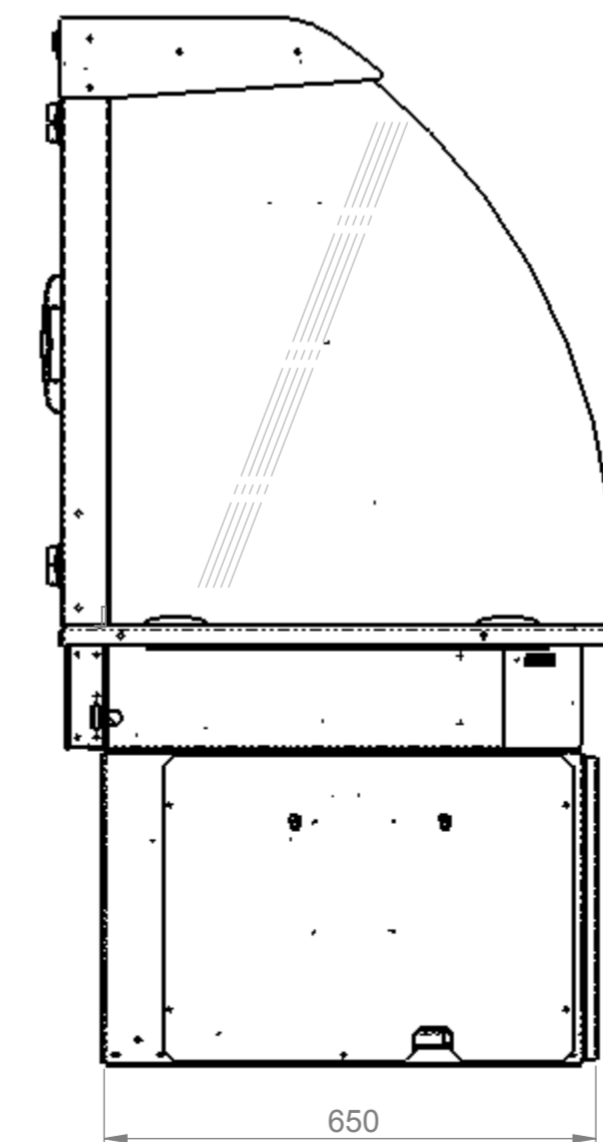
Side hinged rear doors  
Display controls



End elevation



Rear elevation



End elevation

Electrical Spec - 13A, 230V, 2.8Kw  
via 13A plug top on 2.5 Metre lead  
Weight - 353Kg Approx

Assembly No - VOCDI2100-GO

Issue	Date	Description
 Randles Rd, Knowsley Business Park, Merseyside L34 9HZ. Tel: 0151 548 2211 Fax: 0151 549 2179		
Title: Vision Open Chilled Display 2100		
Drg No :	Issue:	Date: 08/06/2015
<b>15-515--A</b>		Scale: 1:10 @ A2
		Chk'd:
Drn by: G Burgess	All dims in MM	Date: