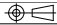
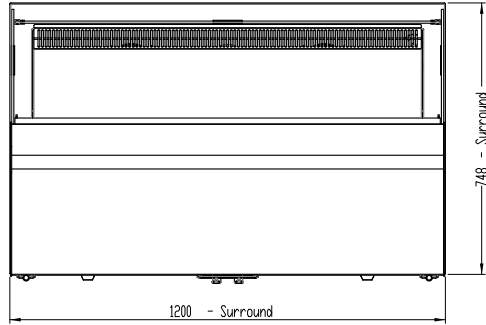
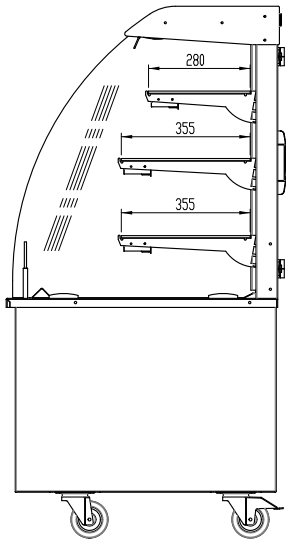


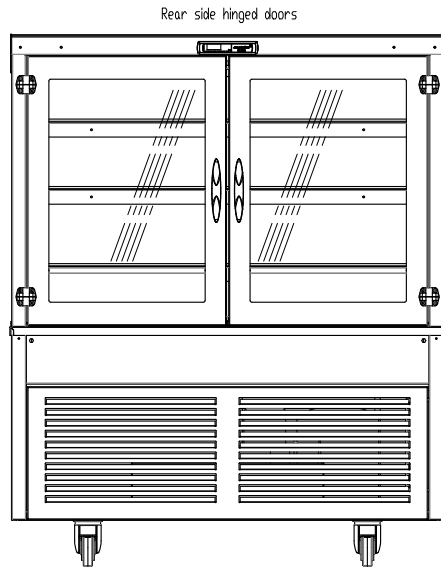
3rd Angle Projection. 
 This drawing and the information properties contained there on is the property of Counterline Ltd and must not be copied or issued to a third party without the prior consent of Counterline Ltd.



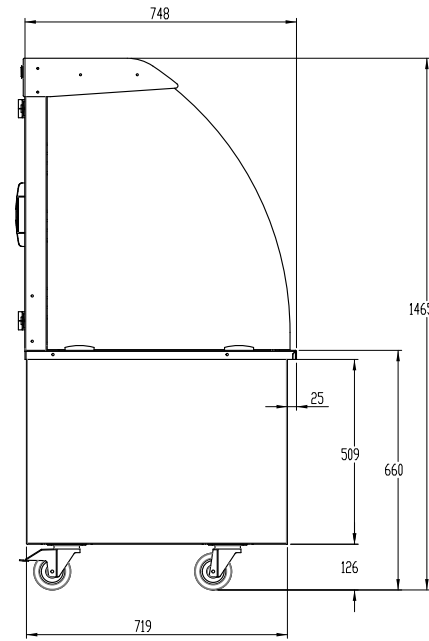
Plan



End elevation

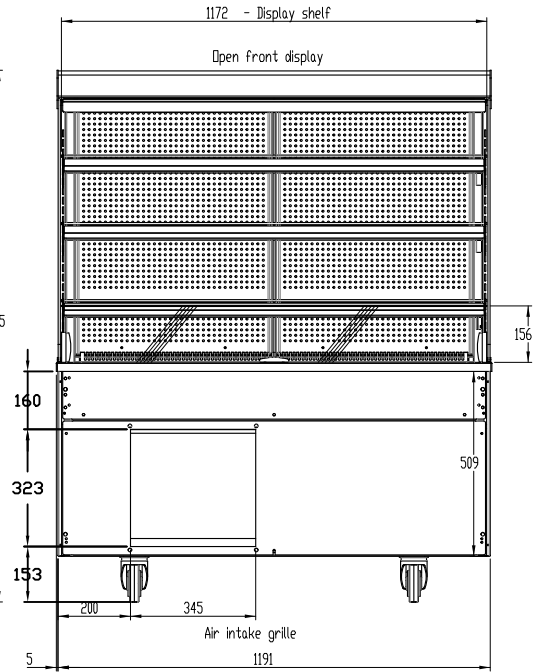


Rear elevation



Satin polished stainless steel end panels


End elevation



Front elevation

Electrical Spec - 13A 230V, 2.8Kw
 via 13 Amp plugtop on 2.5 Metre lead
 Weight - 230Kg Approx.

Assembly No - VDC1200-GD

Issue	Date	Description
 Randles Rd, Knowsley Business Park, Merseyside L34 9HZ Tel: 0151 548 2211 Fax: 0151 549 2179		
Title: Vision Open Chilled Display 1200		
Drng No :	Issue:	Date: 05/01/2015
14-236--A		Scale: 1:10 @ A2
Drn by: G Burgess	All dims in MM	Date: