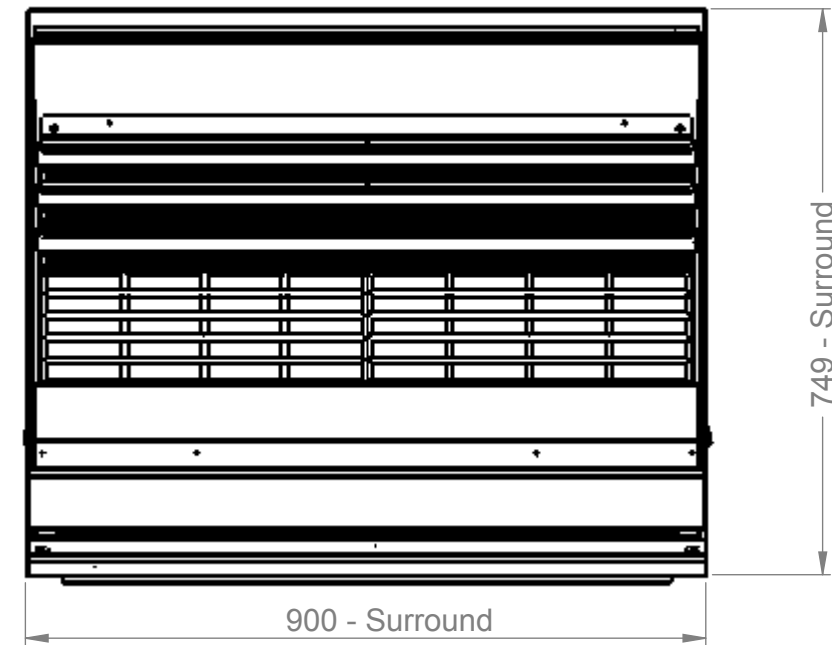
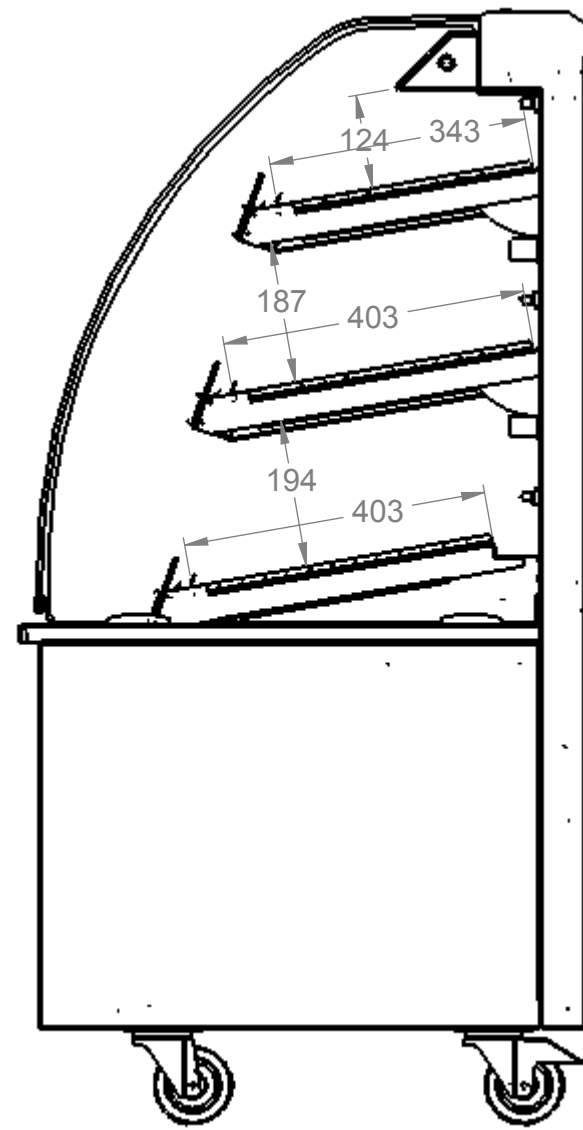




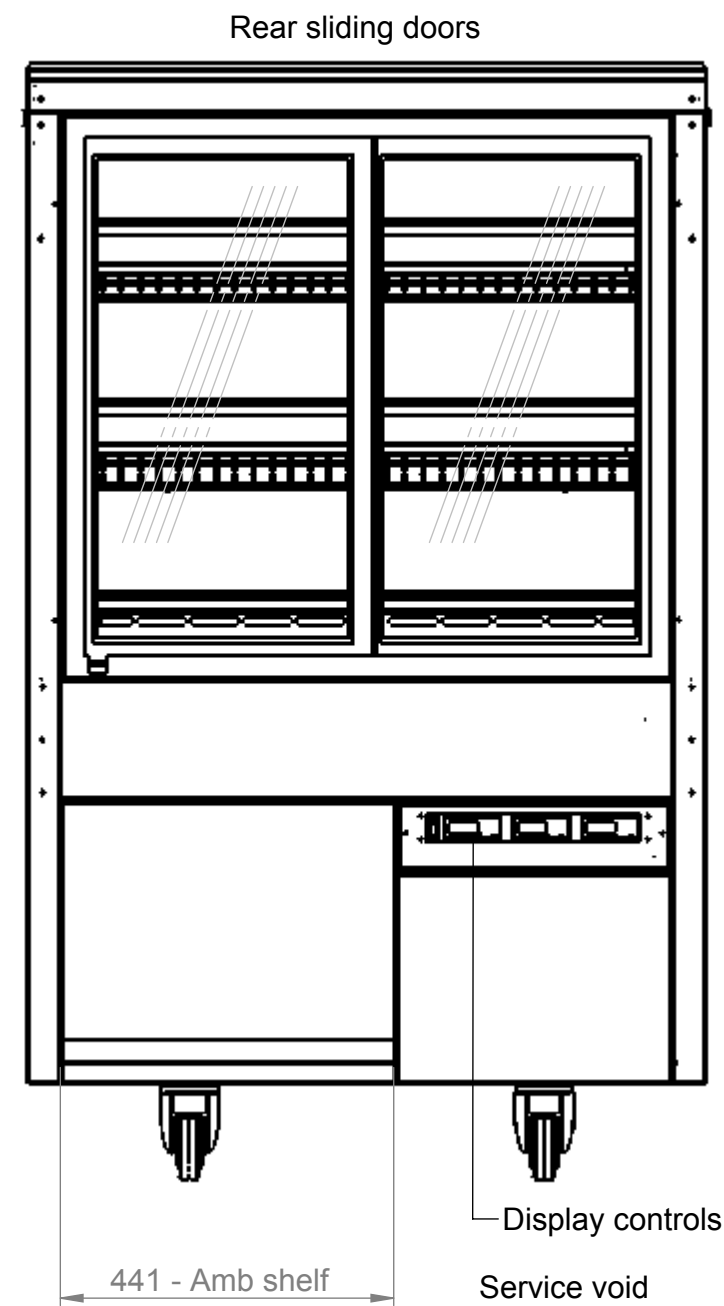
This drawing and the information properties contained there on is the property of Counterline Ltd and must not be copied or issued to a third party without the prior consent of Counterline Ltd.



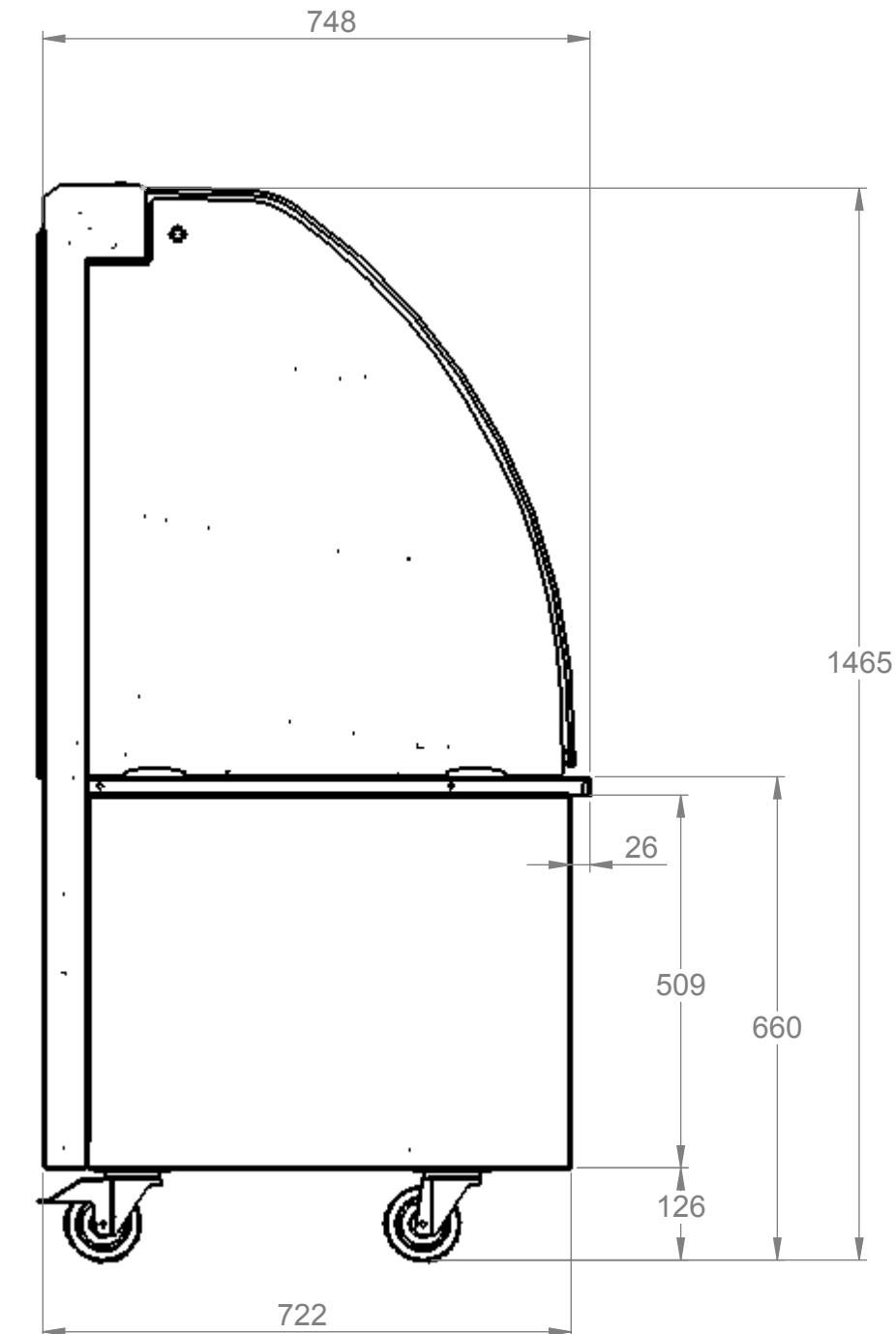
Plan



End elevation

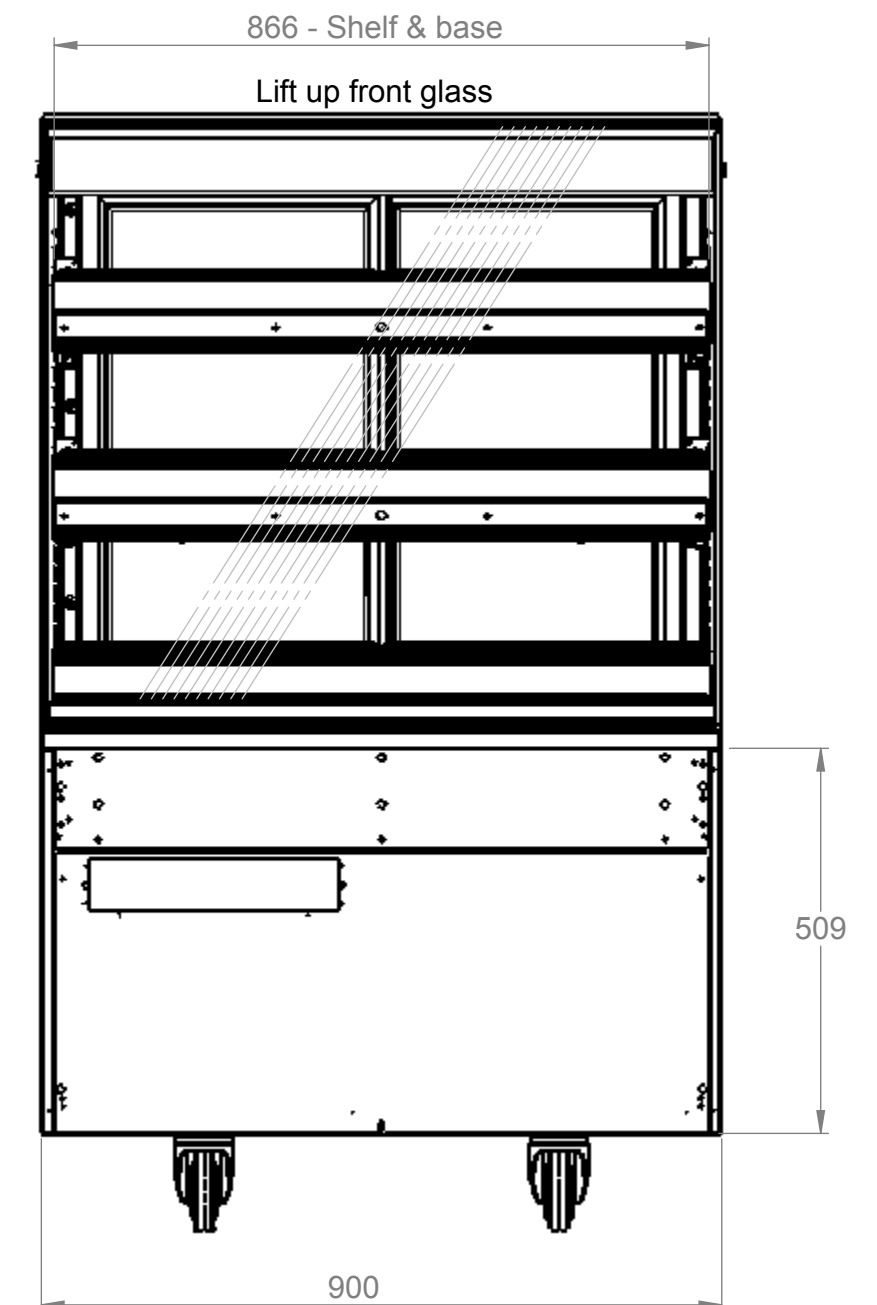


Rear elevation



Satin polished stainless steel end panels

End elevation



Front elevation

Electrical Spec - 13A 230V,
(min 1.5Kw - max 3.0Kw)
via 13 Amp plugtop on 2.5 Metre lead
Weight - 162Kg Approx

Assembly No - VHFL900-GO

Issue	Date	Description
Randles Rd, Knowsley Business Park, Merseyside L34 9HZ. Tel: 0151 548 2211 Fax: 0151 549 2179		
Title:		
Vision Enclosed Heated 900 (Lift up Glass)		
Drg No :	Issue:	Date: 25/07/2014
14-081--A		Scale: 1:10 @ A2
		Chk'd:
Drn by: G Burgess	All dims in MM	Date: