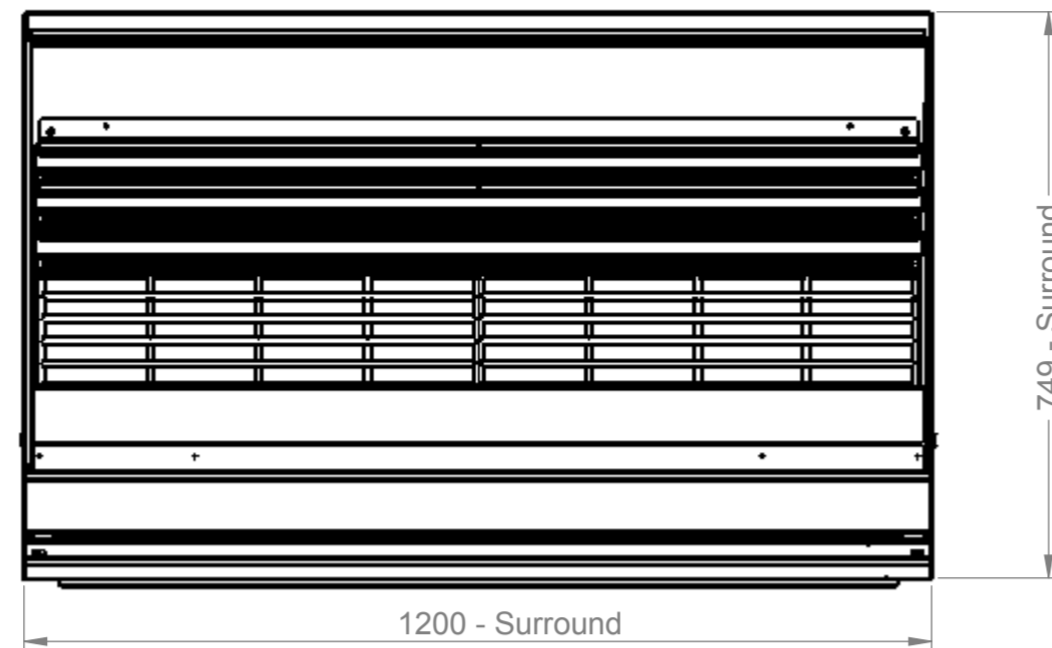
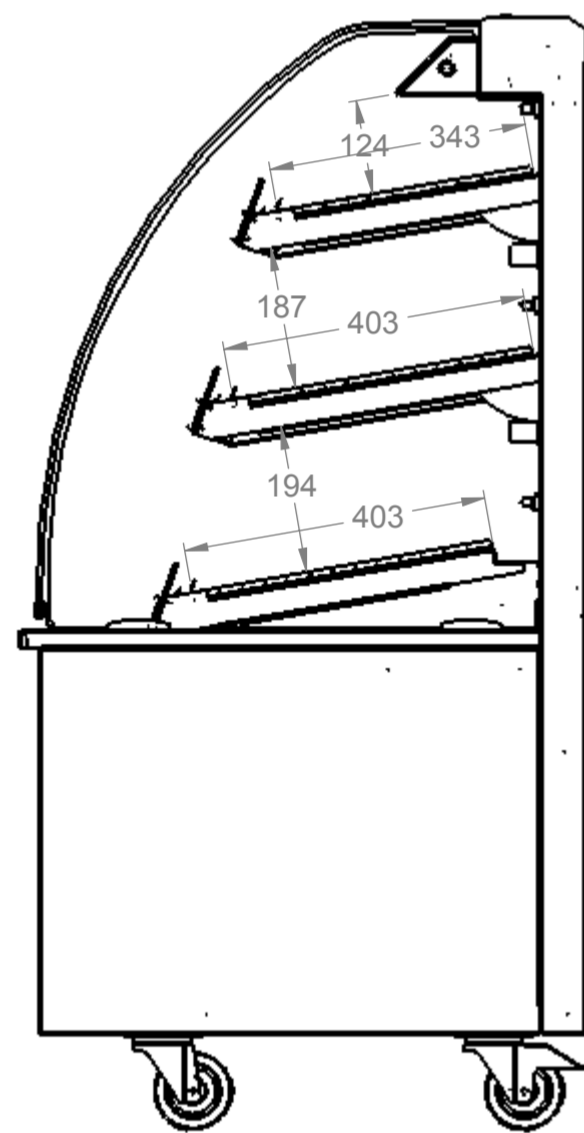




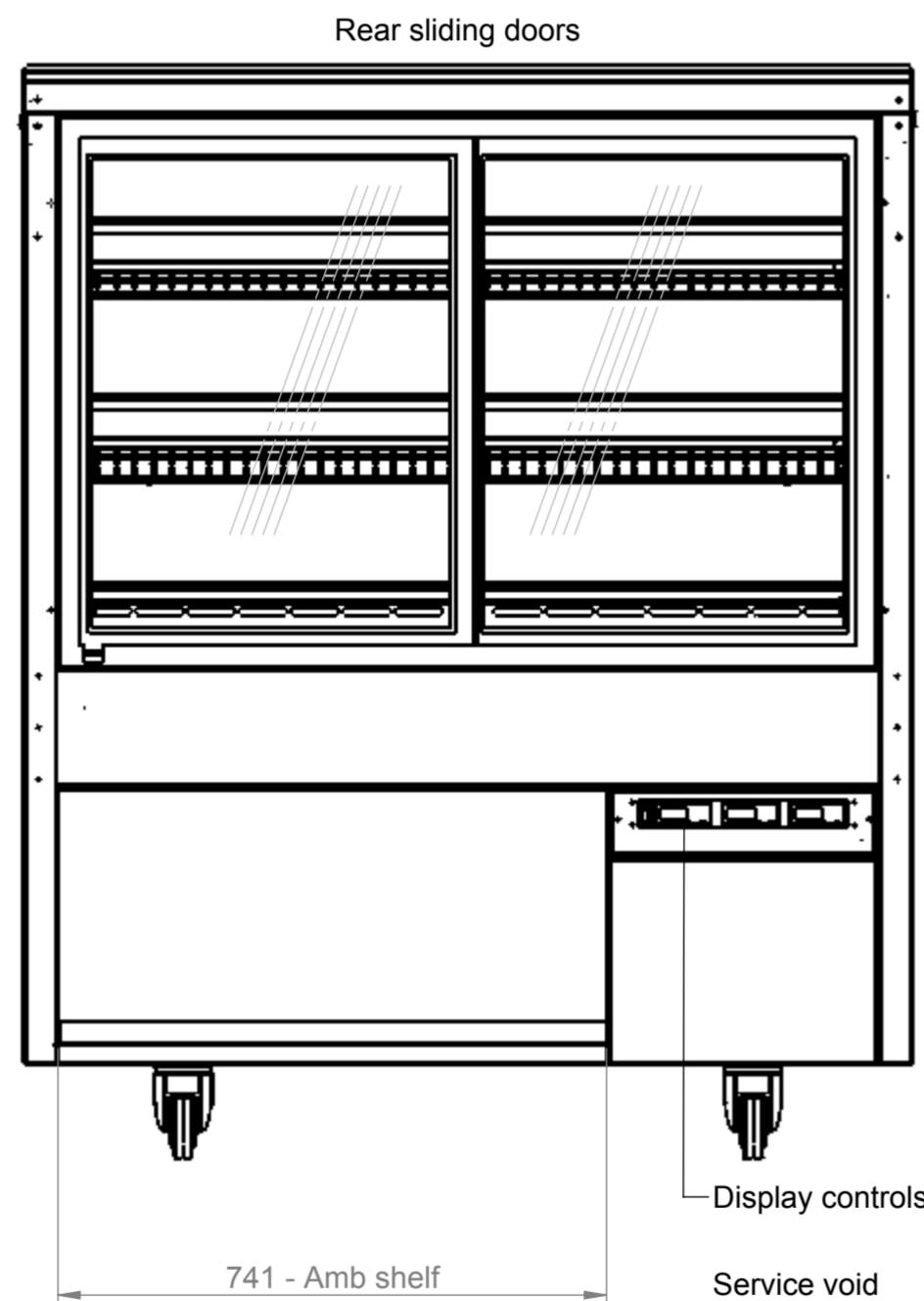
This drawing and the information properties contained there on is the property of Counterline Ltd and must not be copied or issued to a third party without the prior consent of Counterline Ltd.



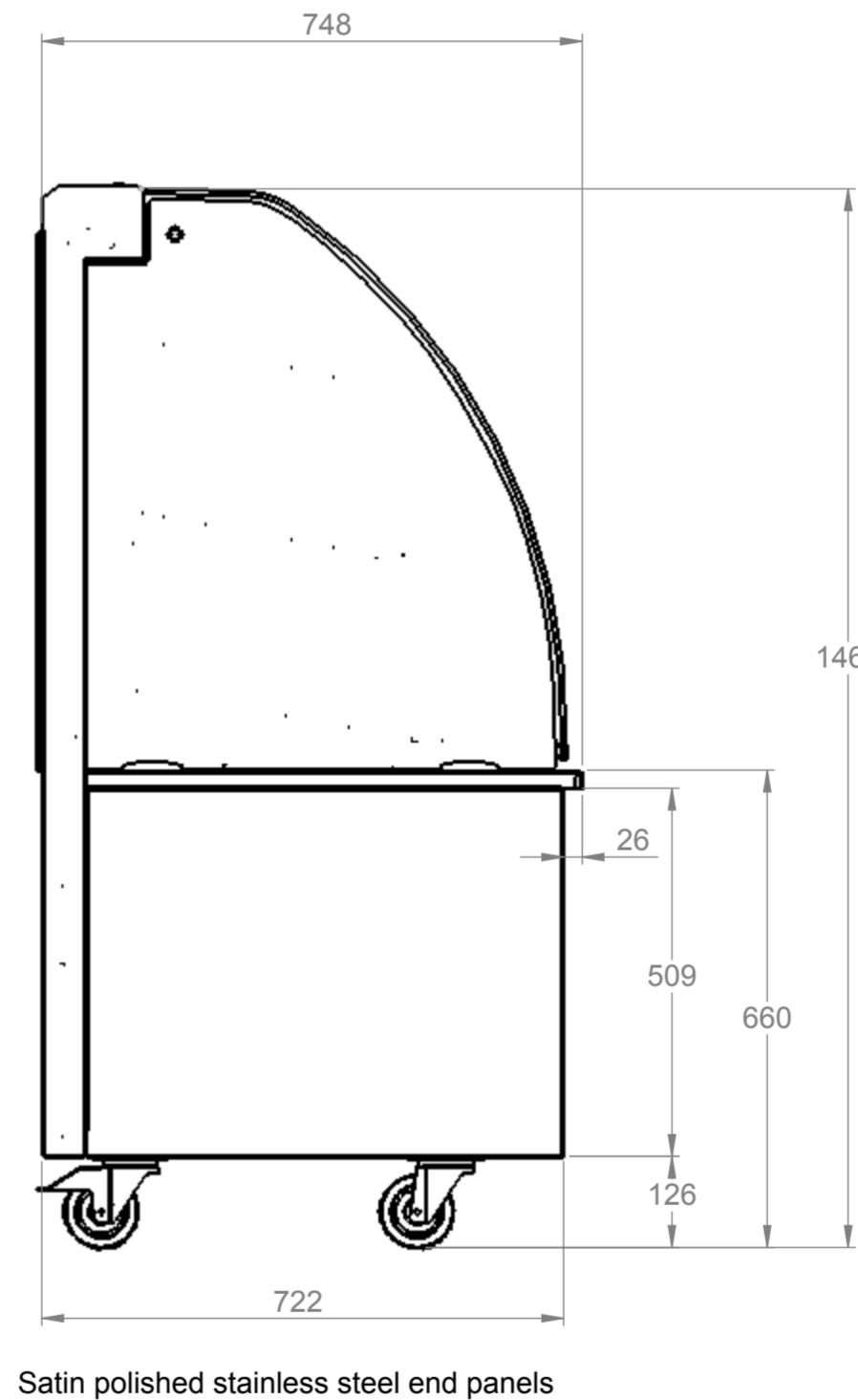
Plan



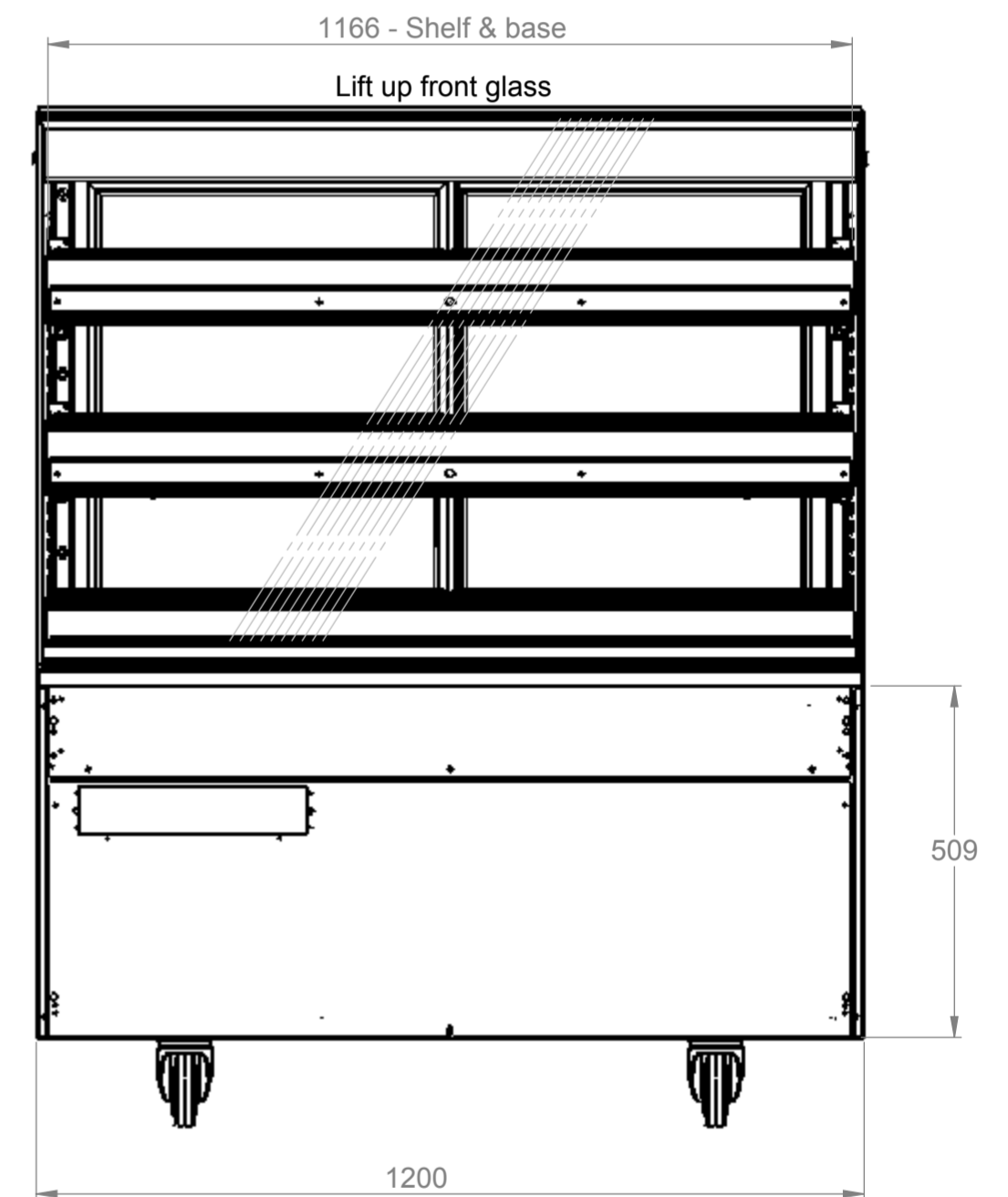
End elevation



Rear elevation



End elevation



Front elevation

Electrical Spec - 13A 230V,  
(min 1.5Kw - max 3.0Kw)  
via 13 Amp plugtop on 2.5 Metre lead  
Weight - 203Kg Approx

Assembly No - VHFL1200-GO

| Issue  | Date           | Description      |
|--|----------------|------------------|
| <p>Randles Rd, Knowsley Business Park, Merseyside L34 9HZ.<br/>Tel: 0151 548 2211 Fax: 0151 549 2179</p> |                |                  |
| Title: Vision Enclosed Heated 1200 (Lift up Glass)   |                |                  |
| Drg No :   | Issue:         | Date: 25/07/2014 |
| 14-166--A  |                | Scale: 1:10 @ A2 |
|  |                | Chk'd:           |
| Drn by: G Burgess  | All dims in MM | Date:            |