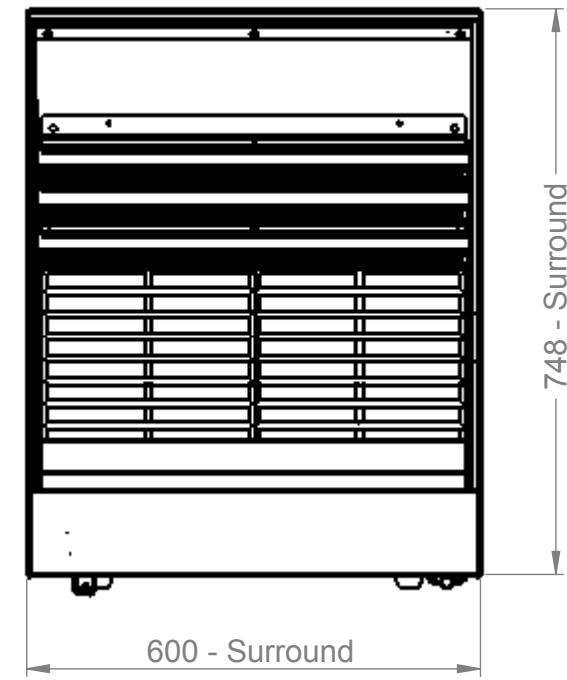
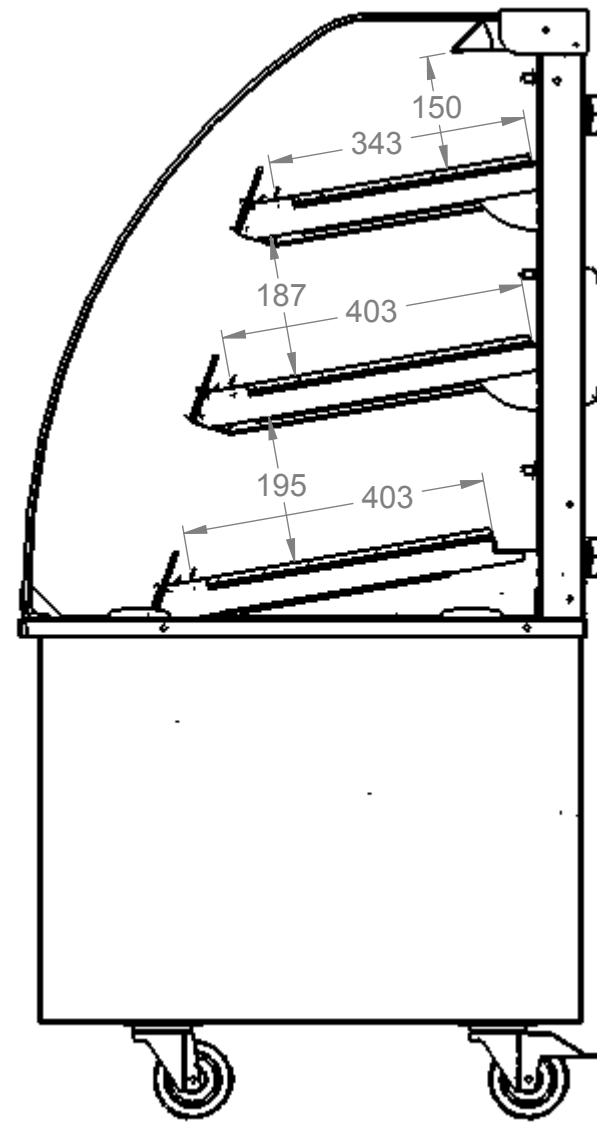




This drawing and the information properties contained there on is the property of Counterline Ltd and must not be copied or issued to a third party without the prior consent of Counterline Ltd.

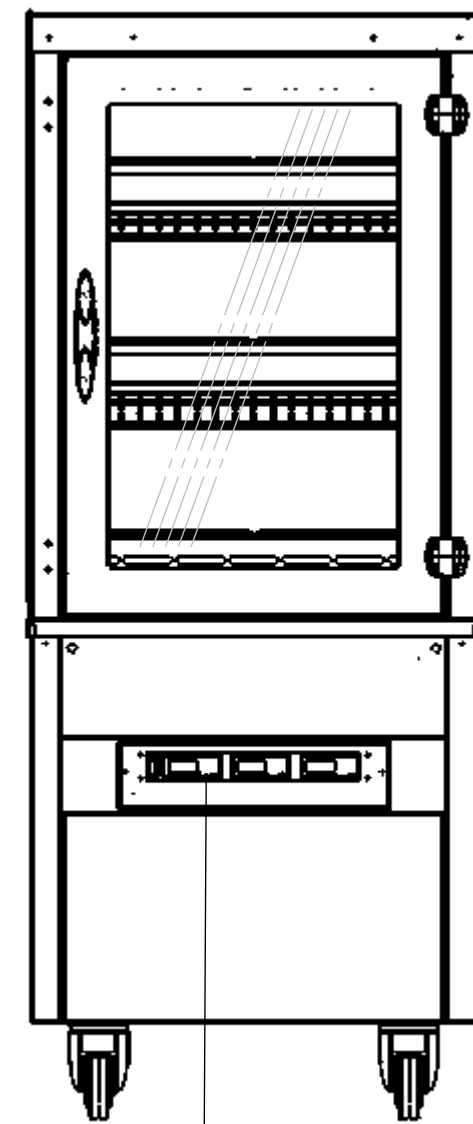


Plan



End elevation

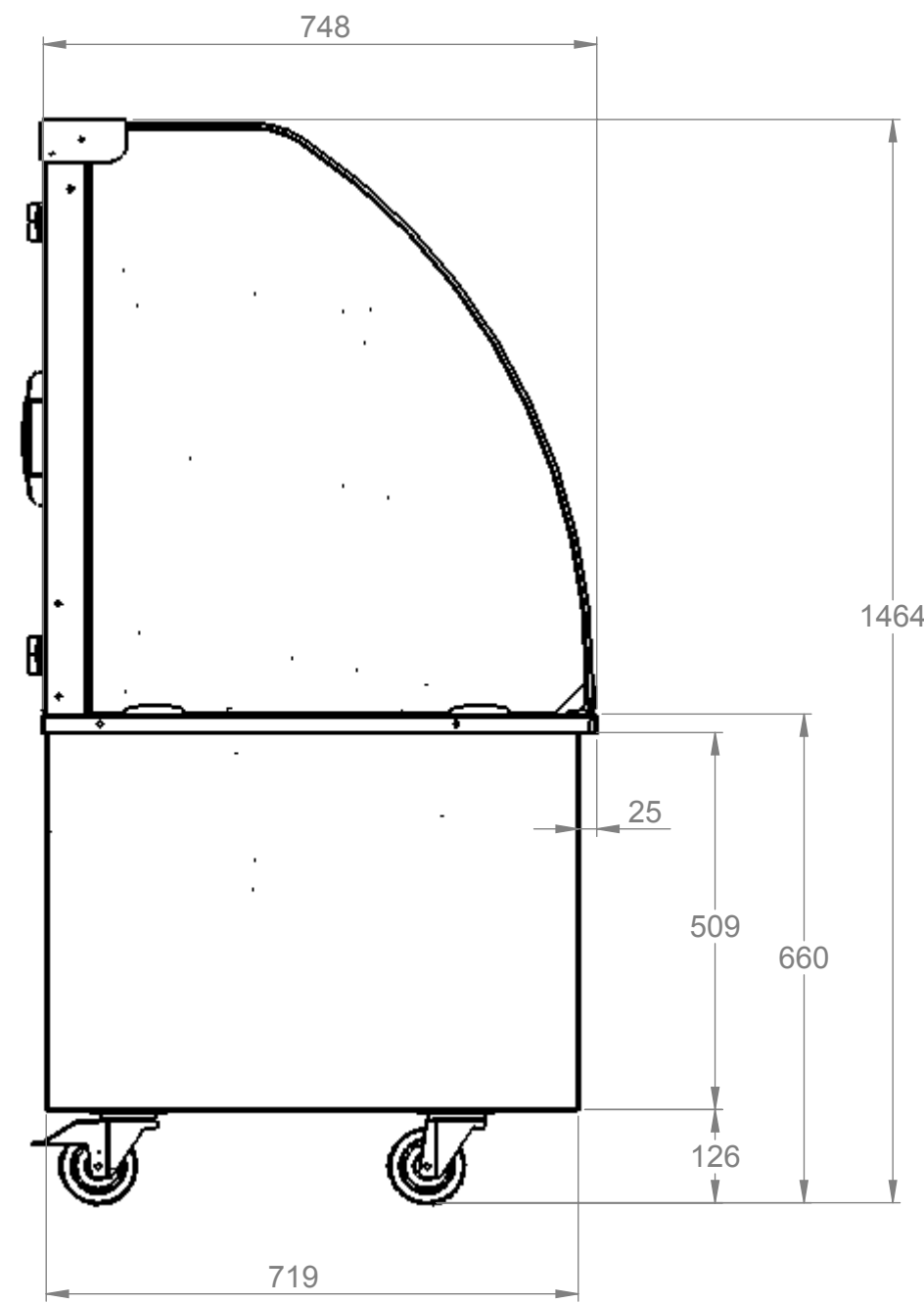
Side hinged rear door



Display controls

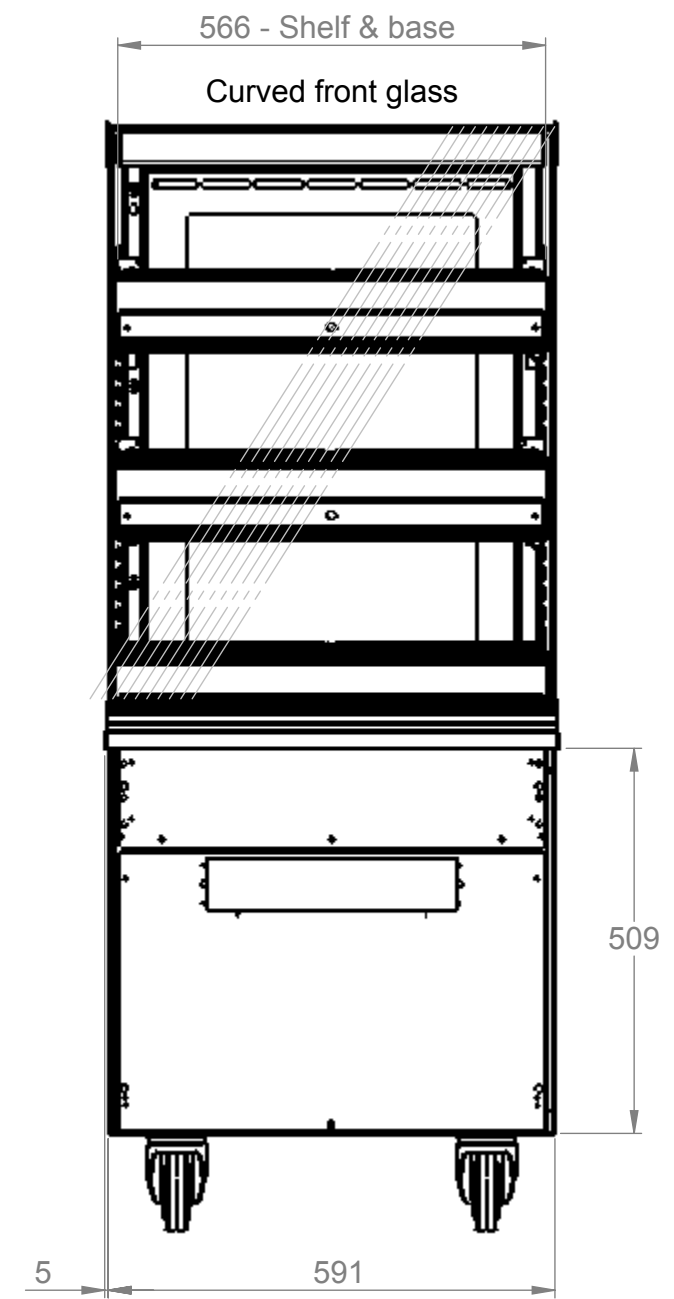
Service void

Rear elevation



Satin polished stainless steel end panels

End elevation



Front elevation

Electrical Spec - 13A, 230V,
(min 1.5Kw - max 3.0Kw)
via 13 Amp plugtop on 2.5 Metre lead
Weight - 159Kg Approx

Assembly No - VHF600-GO

Issue	Date	Description
<p>Randles Rd, Knowsley Business Park, Merseyside L34 9HZ. Tel: 0151 548 2211 Fax: 0151 549 2179</p>		
Title: Vision Enclosed Heated Display 600 Long		
Drg No :	Issue:	Date: 24/06/2014
14-107--A		Scale: 1:10 @ A2
		Chk'd:
Drn by: G Burgess	All dims in MM	Date: