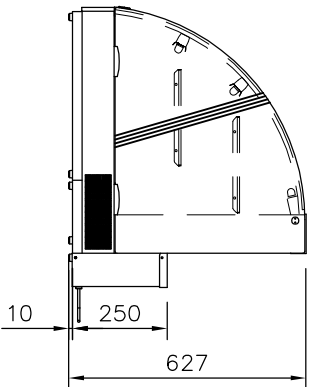
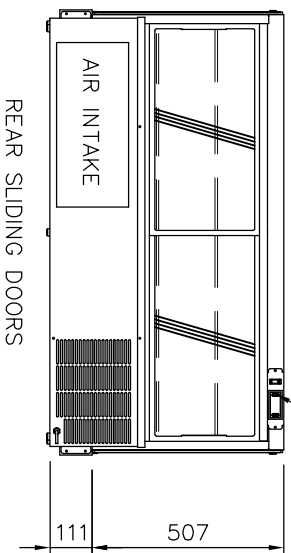


PLAN VIEW

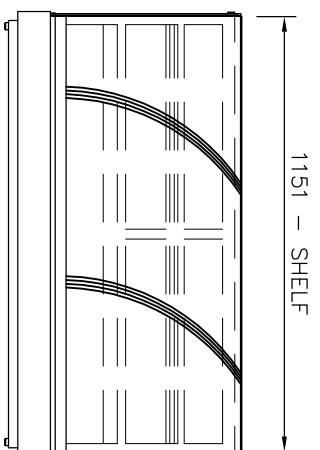
CONTROLS



END ELEVATION



REAR ELEVATION



FRONT ELEVATION

DISPLAY SUPPLIED WITH 1500mm LEAD & PLUGTOP
 DISPLAY HAS INTEGRAL CONDENSATE EVAPORATOR

ELECTRICAL INFO: 13A, 230V

WEIGHT: 86Kg

PRODUCT RANGE: COUNTERTOP VISION
 DESC.: CHILLED ENCLOSED ASSISTED SERVICE
 COUNTERTOP DISPLAY
 OPTION:

ID CODE:

VCCCT3

counterline

RANDES RD, KNOWSLEY BUSINESS PARK, MERSEYSIDE L34 9HZ.

Tel: 0151 548 2211

Fax: 0151 549 2179

ISSUE:

1

SCALE: 1:20 @ A4