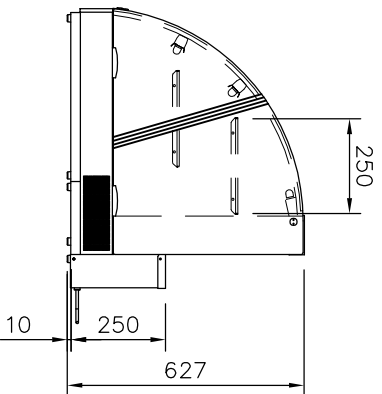
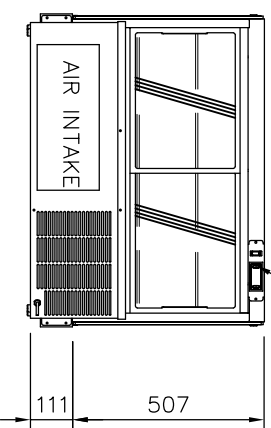


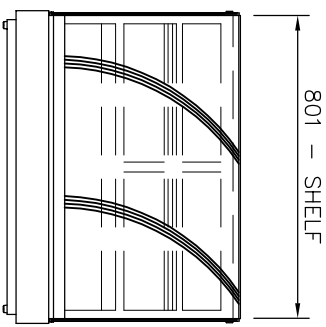
PLAN VIEW



END ELEVATION



REAR ELEVATION



FRONT ELEVATION

DISPLAY SUPPLIED WITH 1500mm LEAD & PLUGTOP  
 DISPLAY HAS INTEGRAL CONDENSATE EVAPORATOR

PRODUCT RANGE: COUNTERTOP VISION  
 DESC.: CHILLED ENCLOSED ASSISTED SERVICE  
 COUNTERTOP DISPLAY  
 OPTION:



RANDES RD, KNOWSLEY BUSINESS PARK, MERSEYSIDE L34 9HZ.  
 Tel: 0151 548 2211 Fax: 0151 549 2179

WEIGHT: 76Kg

ID CODE: VCCT2

ISSUE: 1

SCALE: 1:20 @ A4