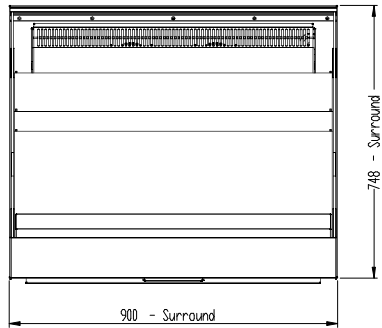
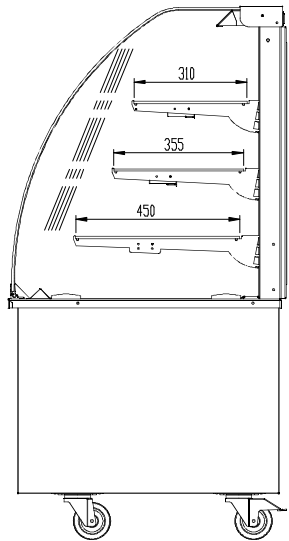


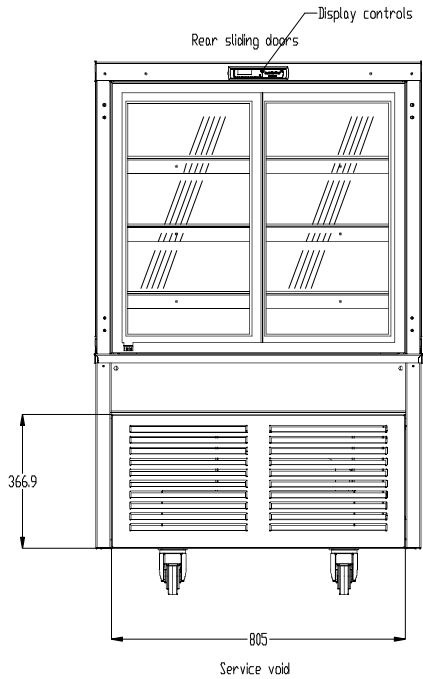
3rd Angle Projection
 This drawing and the information properties contained there on is the property of Counterline Ltd and must not be copied or issued to a third party without the prior consent of Counterline Ltd



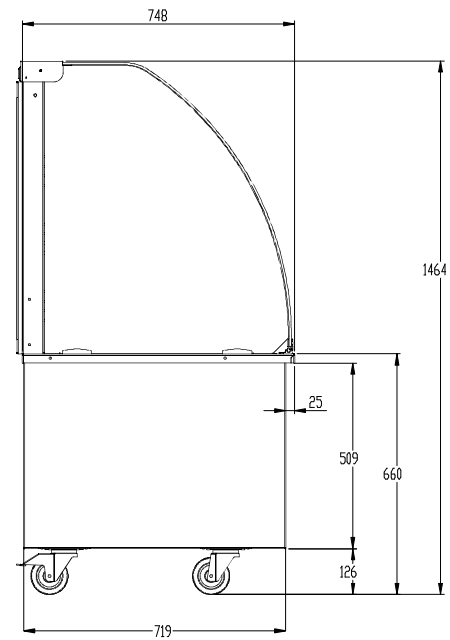
Plan



End elevation

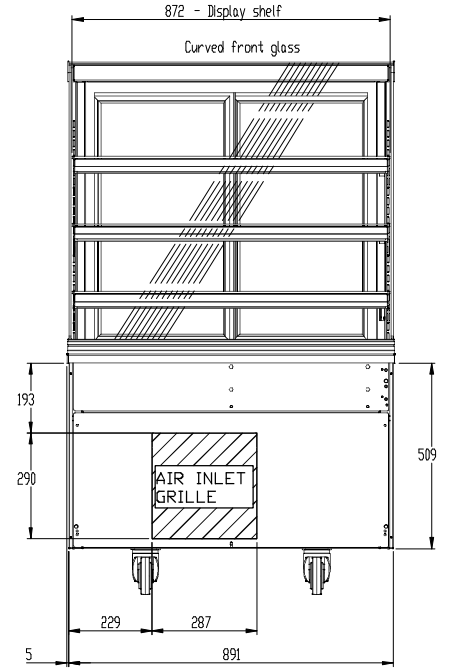


Rear elevation



Satin polished stainless steel end panels


End elevation



Front elevation

Electrical Spec - 13A, 230V, 19Kw
 via 13 Amp plugtop on 2.5 Metre lead
 Weight - 183kg Approx

Assembly No - VC900-GD

Issue	Date	Description
counterline  Ronnies Rd, Knowsley Business Park, Merseyside L34 9HZ Tel: 0151 548 2211 Fax: 0151 549 2179		
Title: Vision Enclosed Chilled Display 900		
Drwg No :	Issue:	Date: 05/01/2015
14-231--A		Scale: 1:10 @ A2
Drn by: G Burgess	All dims in MM	Date: