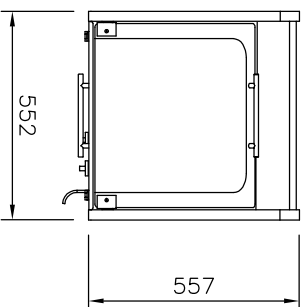
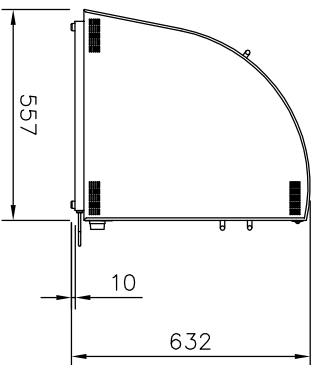


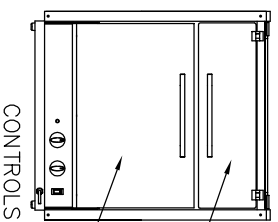
END ELEVATION



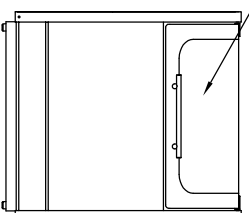
PLAN VIEW



END ELEVATION



REAR ELEVATION



FRONT ELEVATION

DISPLAY SUPPLIED WITH 1500mm LEAD & PLUGTOP

ELECTRICAL INFO: 13A, 230V, 2.8KW

WEIGHT: 37Kg

PRODUCT RANGE: SOLUTIONS
 DESC.: HEATED SELF HELP BAKING & DISPLAY
 OPTION: OVEN – COUNTERTOP DISPLAY

ID CODE:

VBOR

counterline

RANDES RD, KNOWSLEY BUSINESS PARK, MERSEYSIDE L34 9HZ.
 Tel: 0151 548 2211 Fax: 0151 549 2179

ISSUE:

1

SCALE: 1:20 @ A4