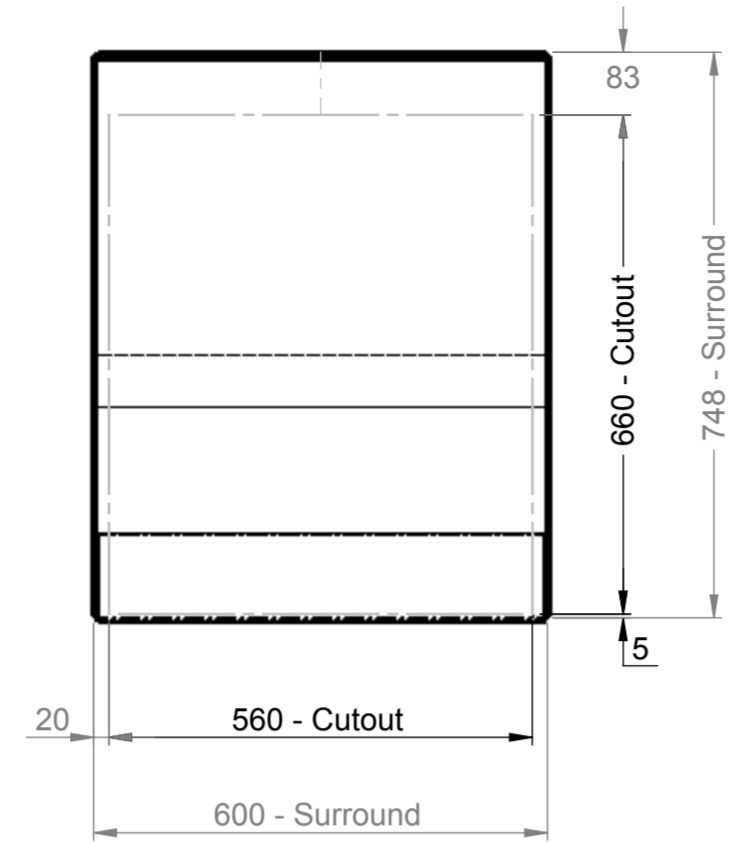
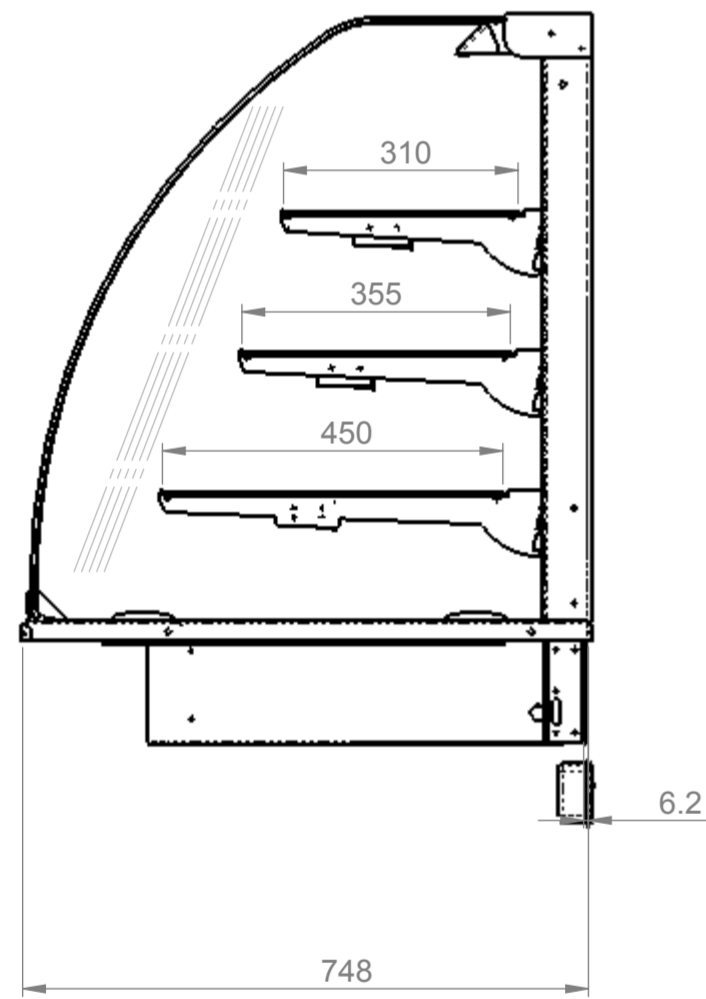




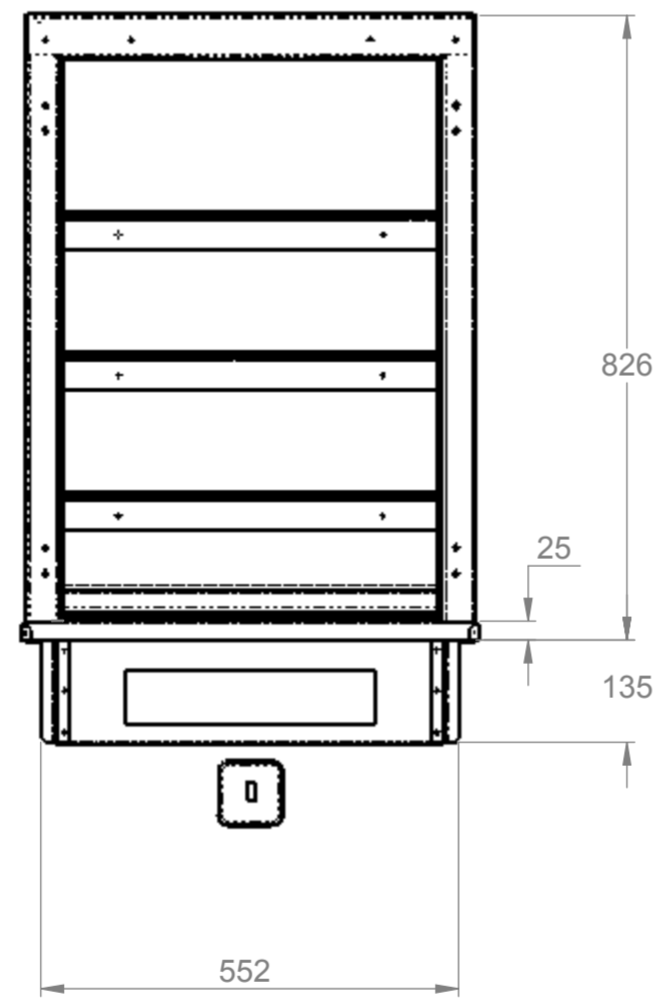
This drawing and the information properties contained there on is the property of Counterline Ltd and must not be copied or issued to a third party without the prior consent of Counterline Ltd.



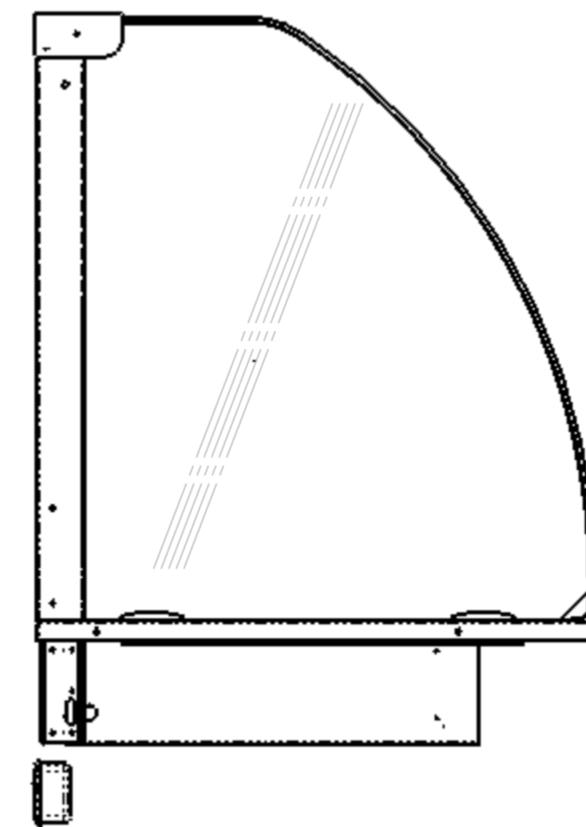
Plan



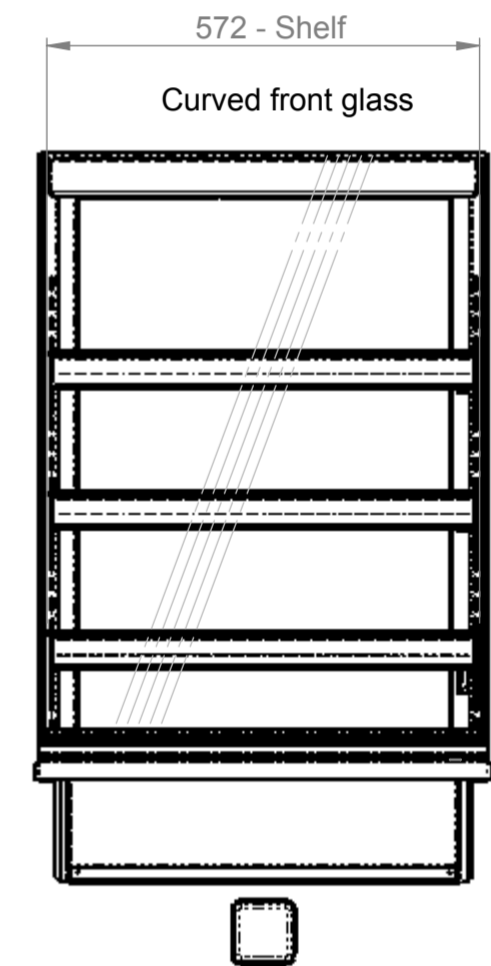
End elevation



Rear elevation



End elevation



Front elevation

Electrical Spec - 13A, 230V, 0.3Kw
via 13A plug top on 2.5 Metre lead
Weight - 73Kg Approx

Assembly No - VADI600

| Issue | Date | Description |
|--|----------------|------------------|
| | | |
| <small>Randles Rd, Knowsley Business Park, Merseyside L34 9HZ. Tel: 0151 548 2211 Fax: 0151 549 2179</small> | | |
| Title: Vision Enclosed Ambient Display 600 | | |
| Drg No : | Issue: | Date: 14/01/2015 |
| 14-727--A | | Scale: 1:10 @ A2 |
| | | Chk'd: |
| Drn by: G Burgess | All dims in MM | Date: |