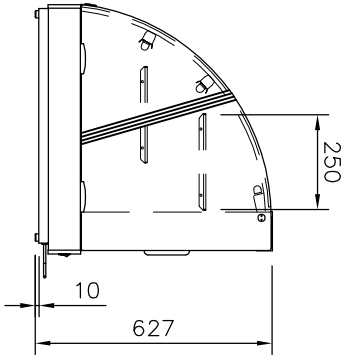
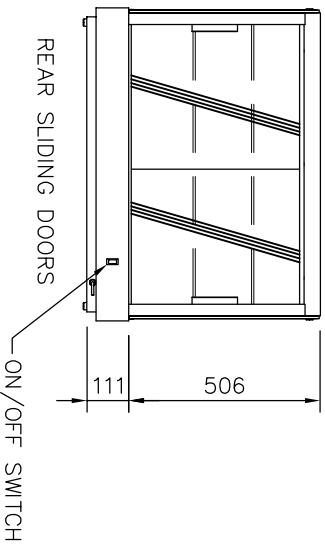


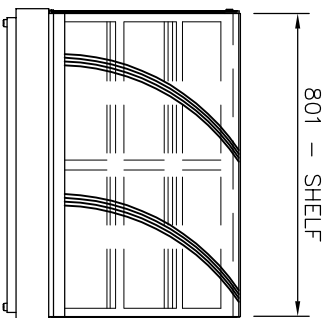
PLAN VIEW



END ELEVATION



REAR ELEVATION



FRONT ELEVATION

DISPLAY SUPPLIED WITH 1500mm LEAD & PLUGTOP

ELECTRICAL INFO: 13A, 230V

WEIGHT: 63Kg

PRODUCT RANGE: COUNTERTOP VISION  
 DESC.: AMBIENT ENCLOSED ASSISTED SERVICE  
 COUNTERTOP DISPLAY

OPTION:

ID CODE:

VACT2



RANDELES RD, KNOWSLEY BUSINESS PARK, MERSEYSIDE L34 9HZ.  
 Tel: 0151 548 2211 Fax: 0151 549 2179

ISSUE:

1



SCALE: 1:20 @ A4