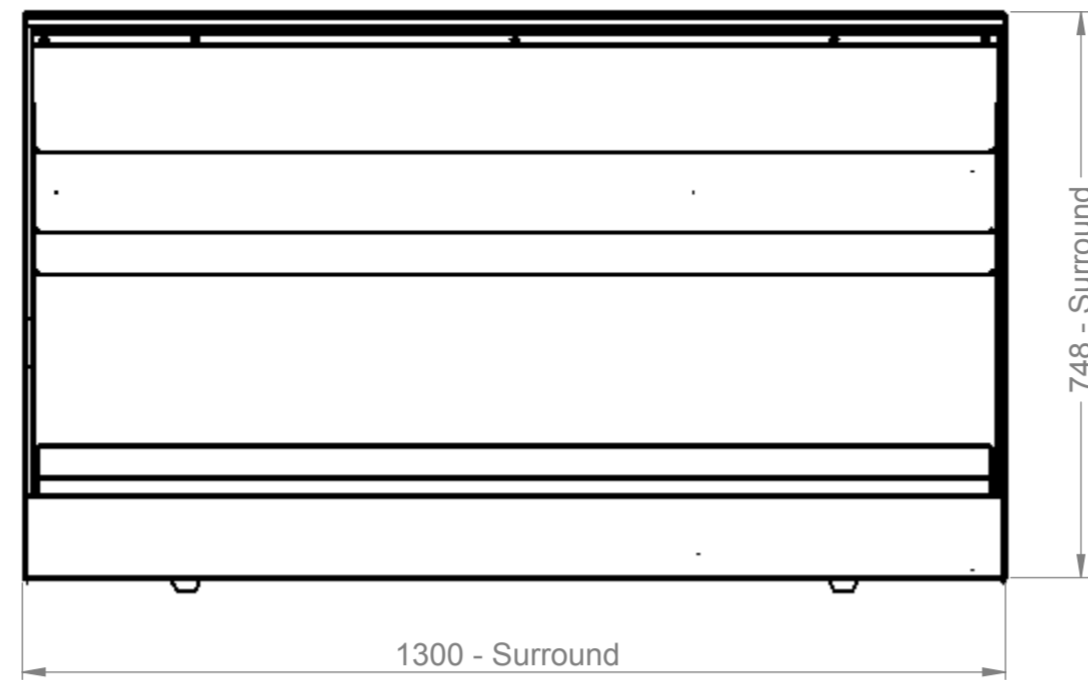
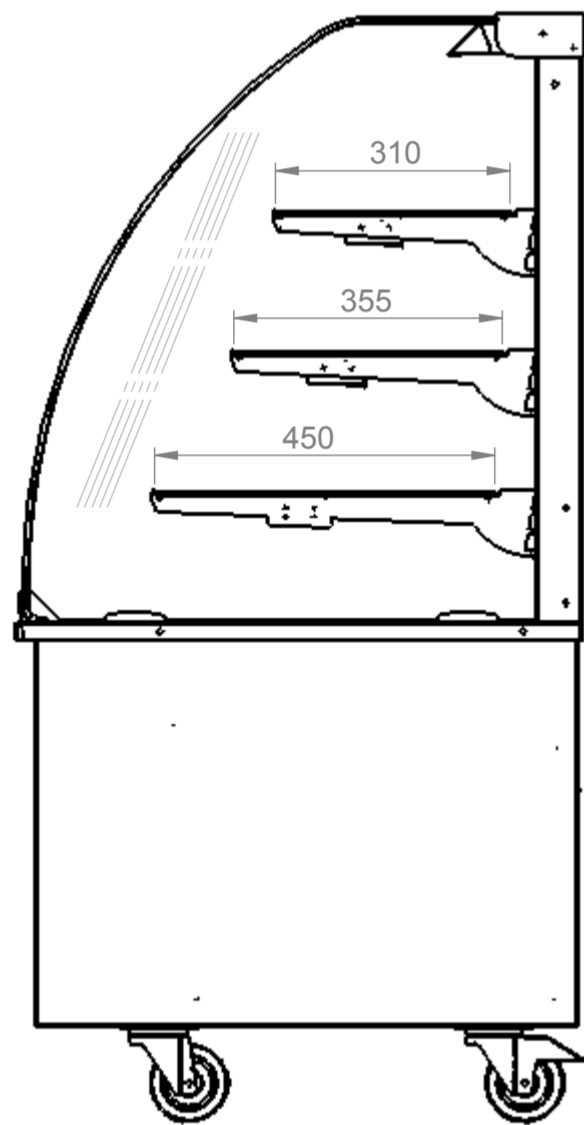




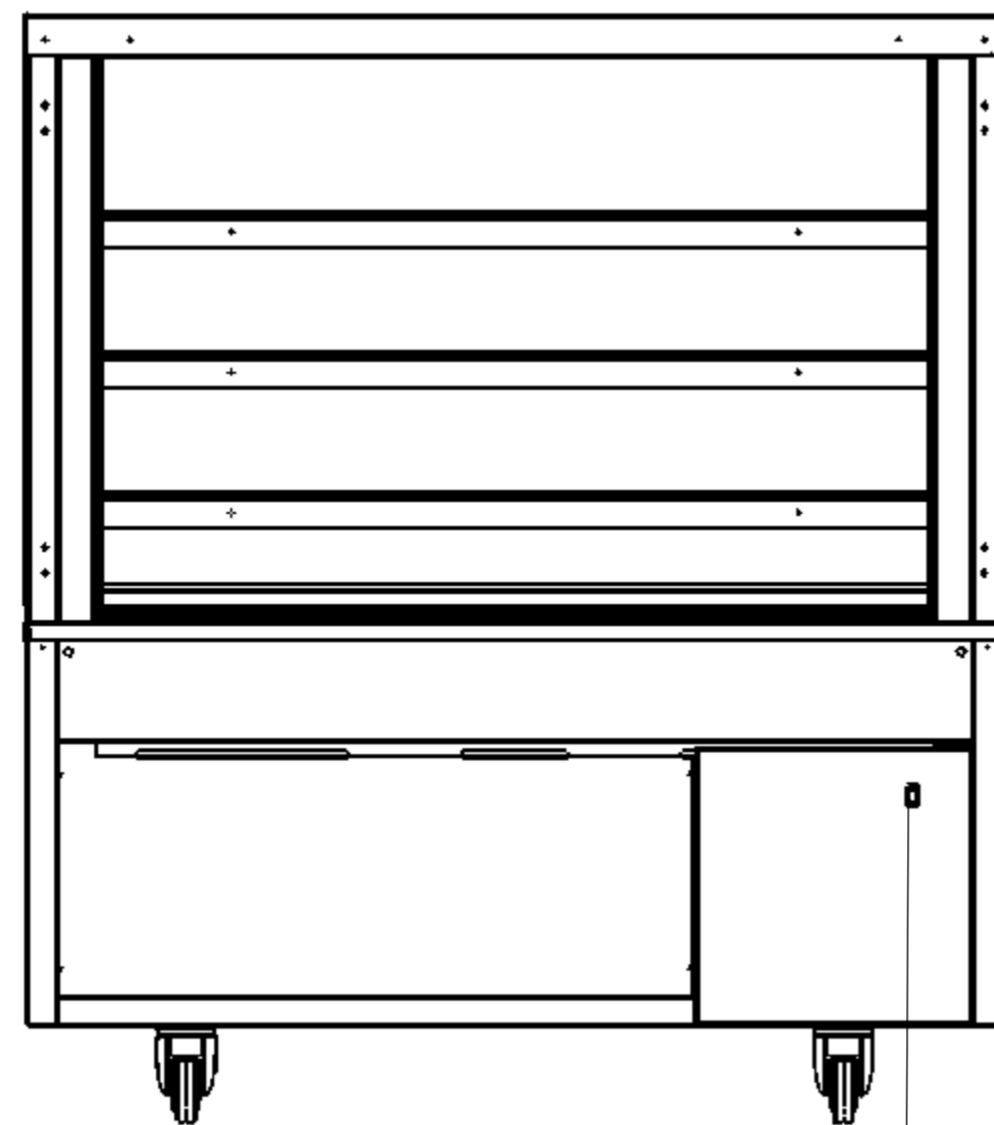
This drawing and the information properties contained there on is the property of Counterline Ltd and must not be copied or issued to a third party without the prior consent of Counterline Ltd.



Plan



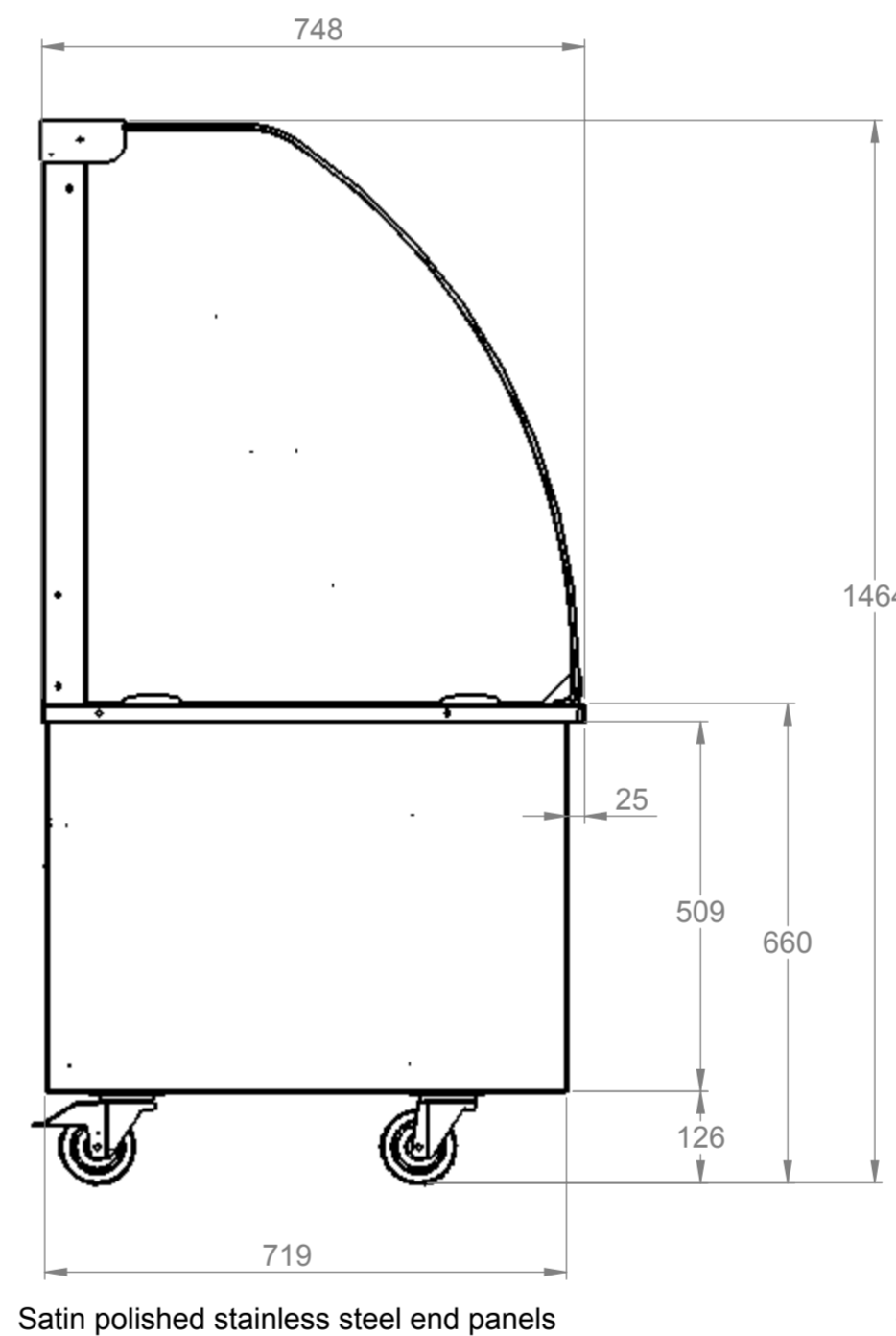
End elevation



Ambient shelf

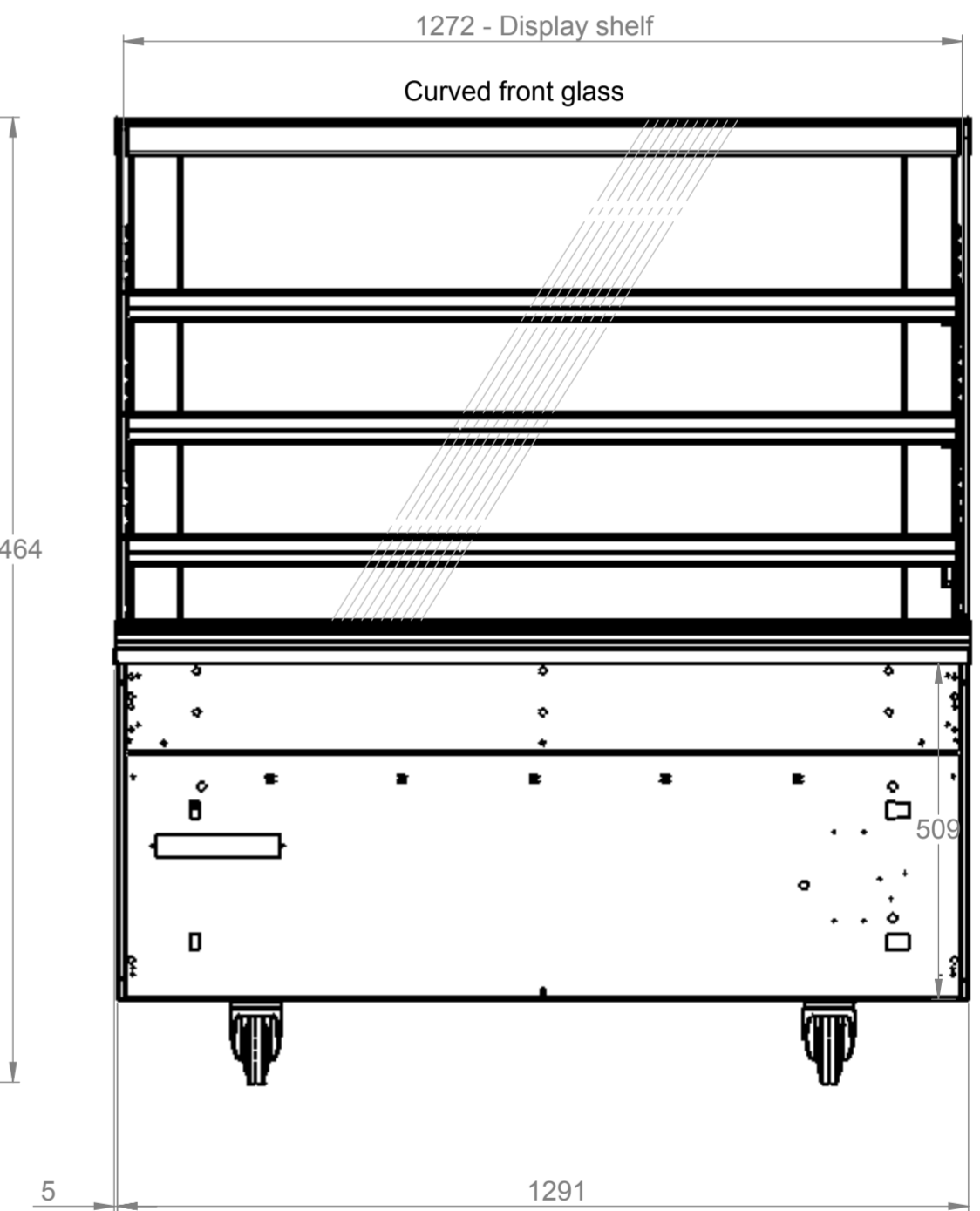
Light switch

Rear elevation



Satin polished stainless steel end panels

End elevation



Front elevation

Electrical Spec - 13A, 230V, 0.3Kw
via 13 Amp plugtop on 2.5 Metre lead
Weight - 223Kg Approx

Assembly No - VA1300

Issue	Date	Description
Randles Rd, Knowsley Business Park, Merseyside L34 9HZ. Tel: 0151 548 2211 Fax: 0151 549 2179		
Title: Vision Enclosed Ambient Display 1300		
Drg No :	Issue:	Date: 15/01/2015
15-052--A		Scale: 1:10 @ A2
		Chk'd:
Drn by: G Burgess	All dims in MM	Date: