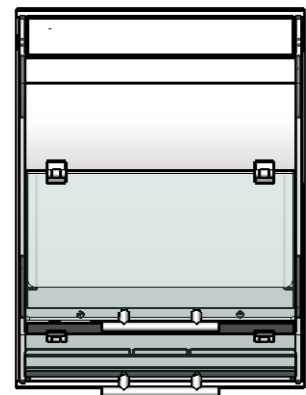
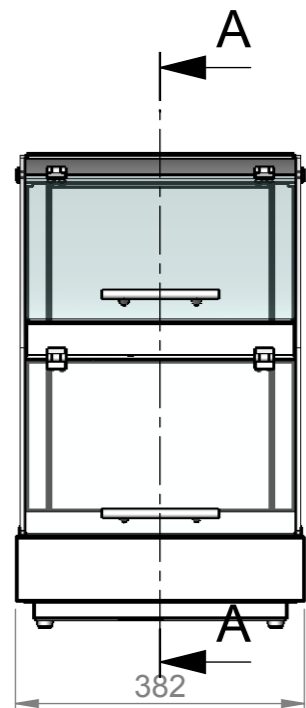


fixed back panel

Rear



Plan

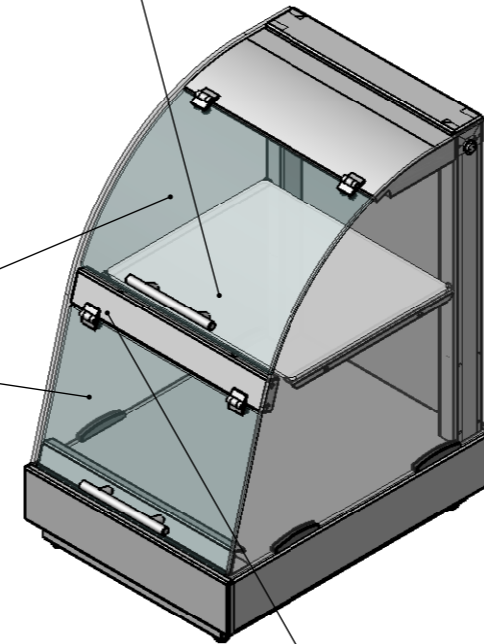


Front elevation

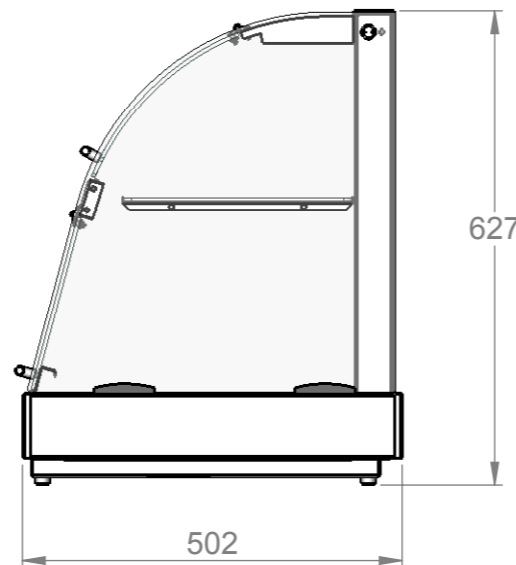
perspex ambient shelf

flaps

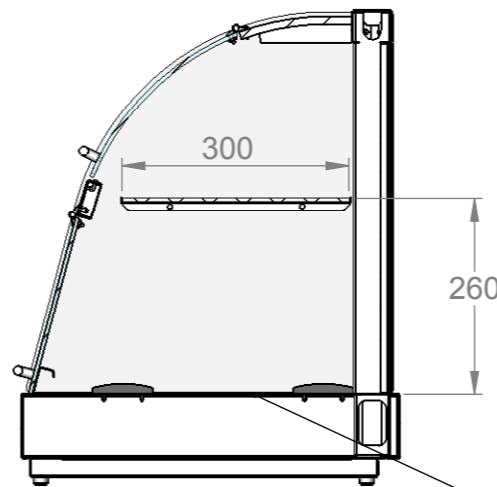
flat support channel fastened to end glass



Isometric



End elevation



SECTION A-A

ambient base

3rd Angle Projection.



This drawing and the information properties contained there on is the property of Counterline Ltd and must not be copied or issued to a third party without the prior consent of Counterline Ltd.

General tolerances unless otherwise stated:

CNC / Machined		Fabricated	
No decimal place:	±0.50	1 - 300mm	± 1.0
One decimal place:	±0.2	301 - 1000mm	± 1.5
Two decimal place:	±0.12	1000 - 3000mm	± 2.0
Holes:	±0.08	Over 3000mm	± 2.5
Angles:	±0.25		

All folds 90° unless otherwise stated
All dimensions are external sizes

Issue	Date	Description	Mod No

Assembly N°: 09-790-B



Randles Rd, Knowsley Business Park, Merseyside L34 9HZ.
Tel: 0151 548 2211 Fax: 0151 549 2179

Title: V10ACT380
View : Assembled Views

Drg No : Issue: Date: 17/11/09

09-790-B
Sheet 1 of 2 Scale: 1:10 @ A3

Drn by: I.Pickin All dims in MM Date: Chk'd: