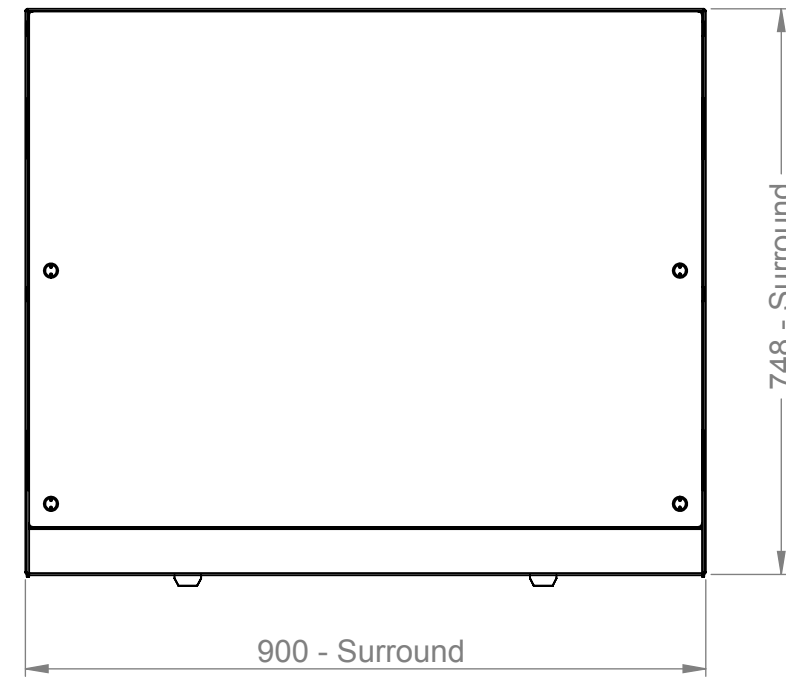
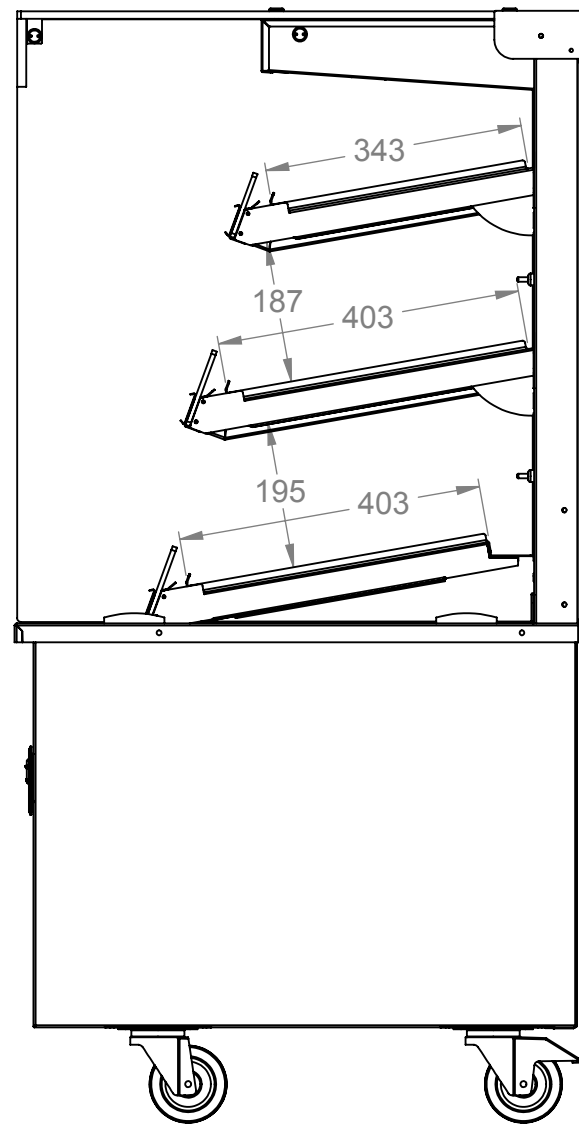




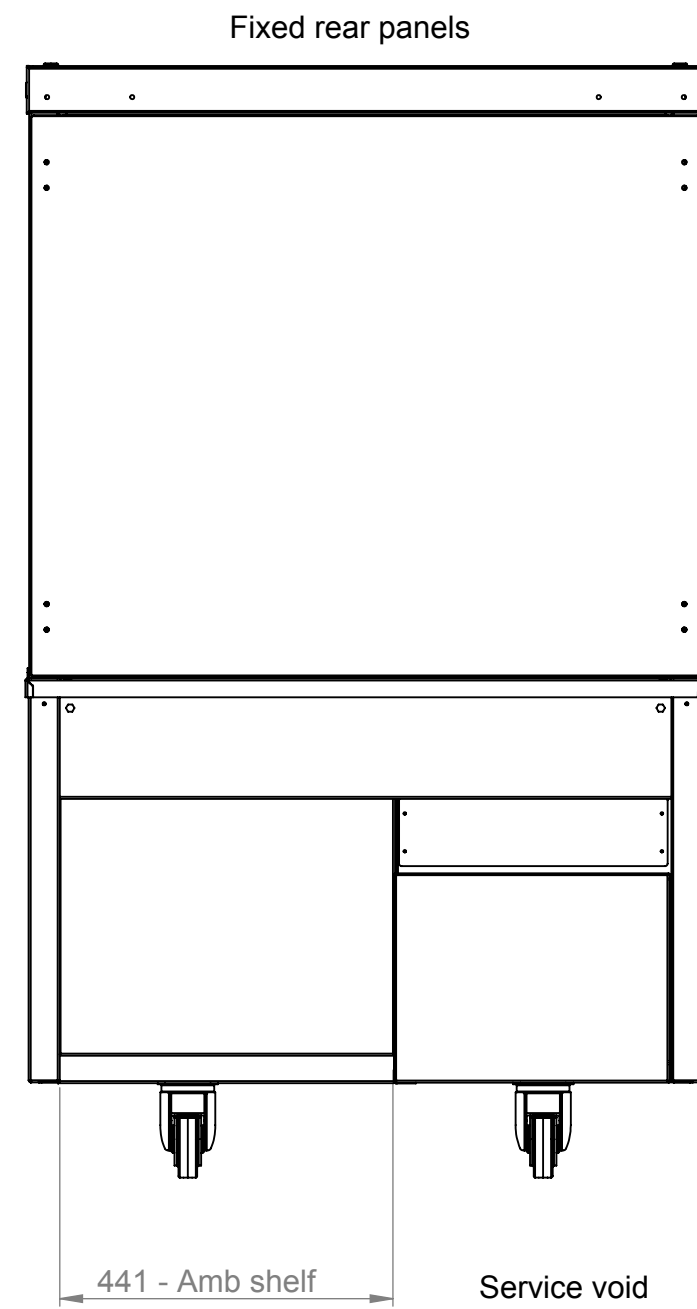
This drawing and the information properties contained there on is the property of Counterline Ltd and must not be copied or issued to a third party without the prior consent of Counterline Ltd.



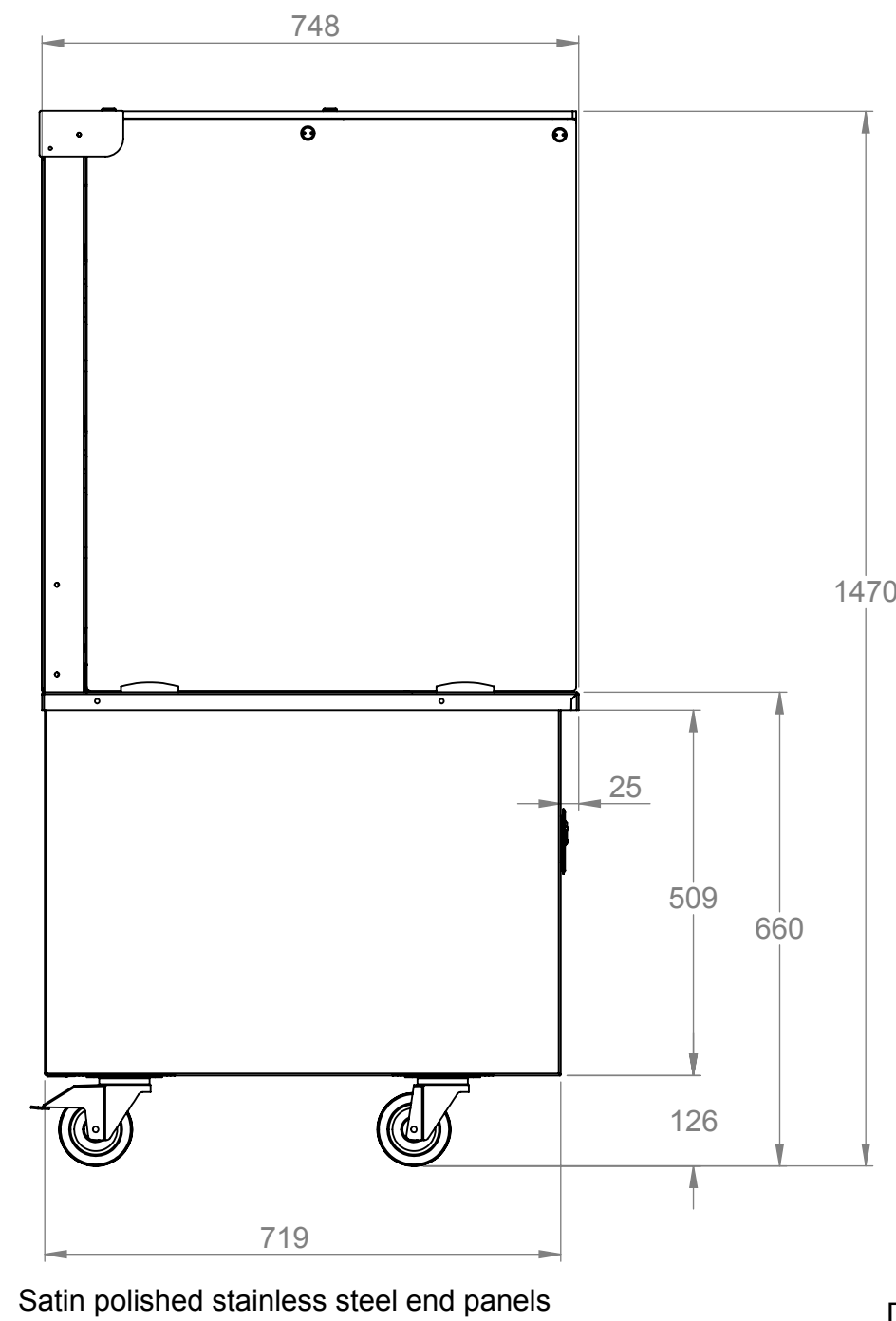
Plan



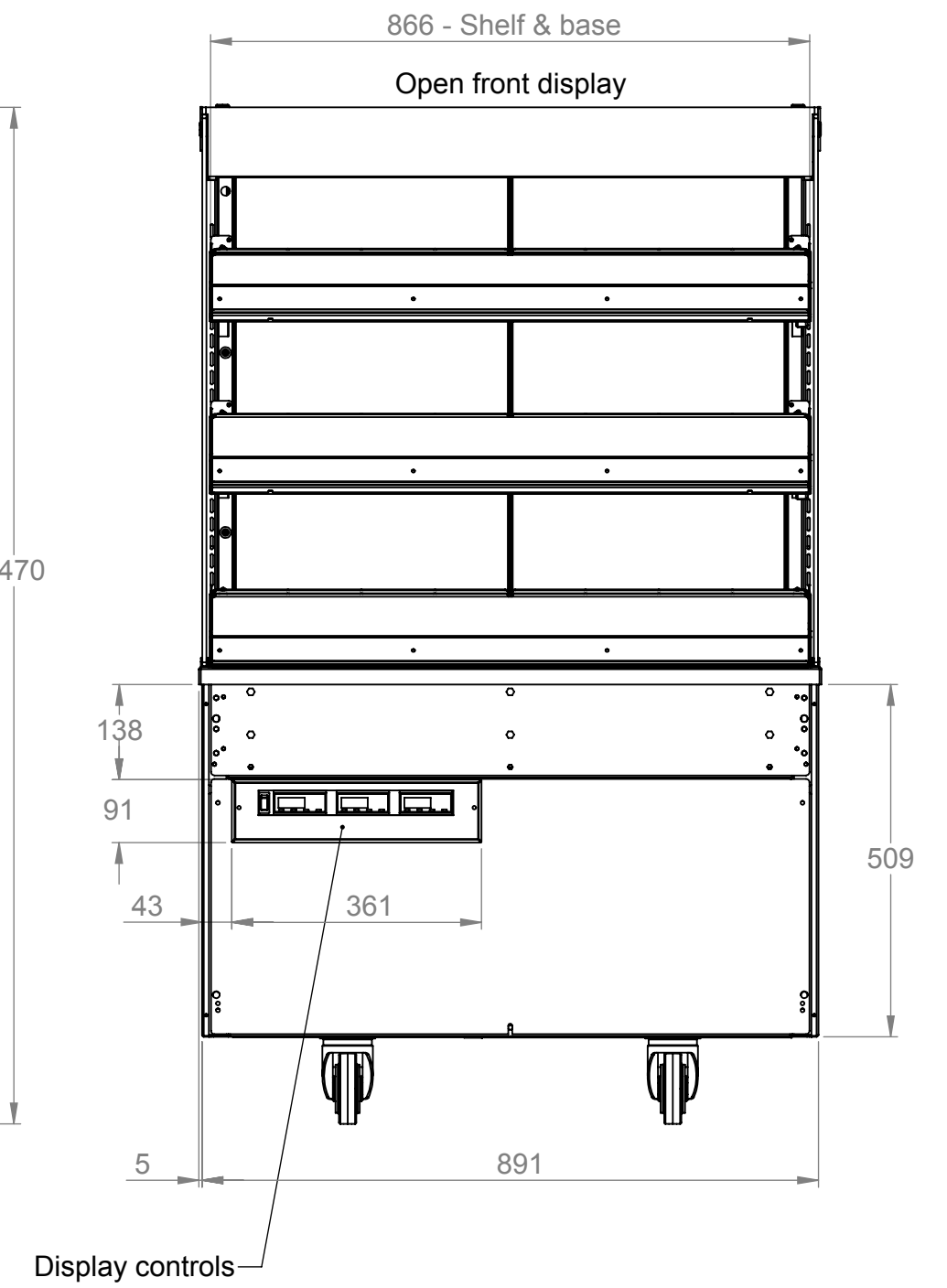
End elevation



Rear elevation



End elevation



Front elevation

Electrical Spec - 13A 230V,  
(min 2.0Kw - max 3.0Kw)  
via 13 Amp plugtop on 2.5 Metre lead  
Weight - 159Kg Approx

Assembly No - SVOHF900-GC

Issue	Date	Description
 Randles Rd, Knowsley Business Park, Merseyside L34 9HZ. Tel: 0151 548 2211 Fax: 0151 549 2179		
Title: Vision Self Hef Heated Display 900 Long		
Drg No :	Issue:	Date: 26/10/2015
14-086--A		Scale: 1:10 @ A2
		Chk'd:
Drn by: G Burgess	All dims in MM	Date: