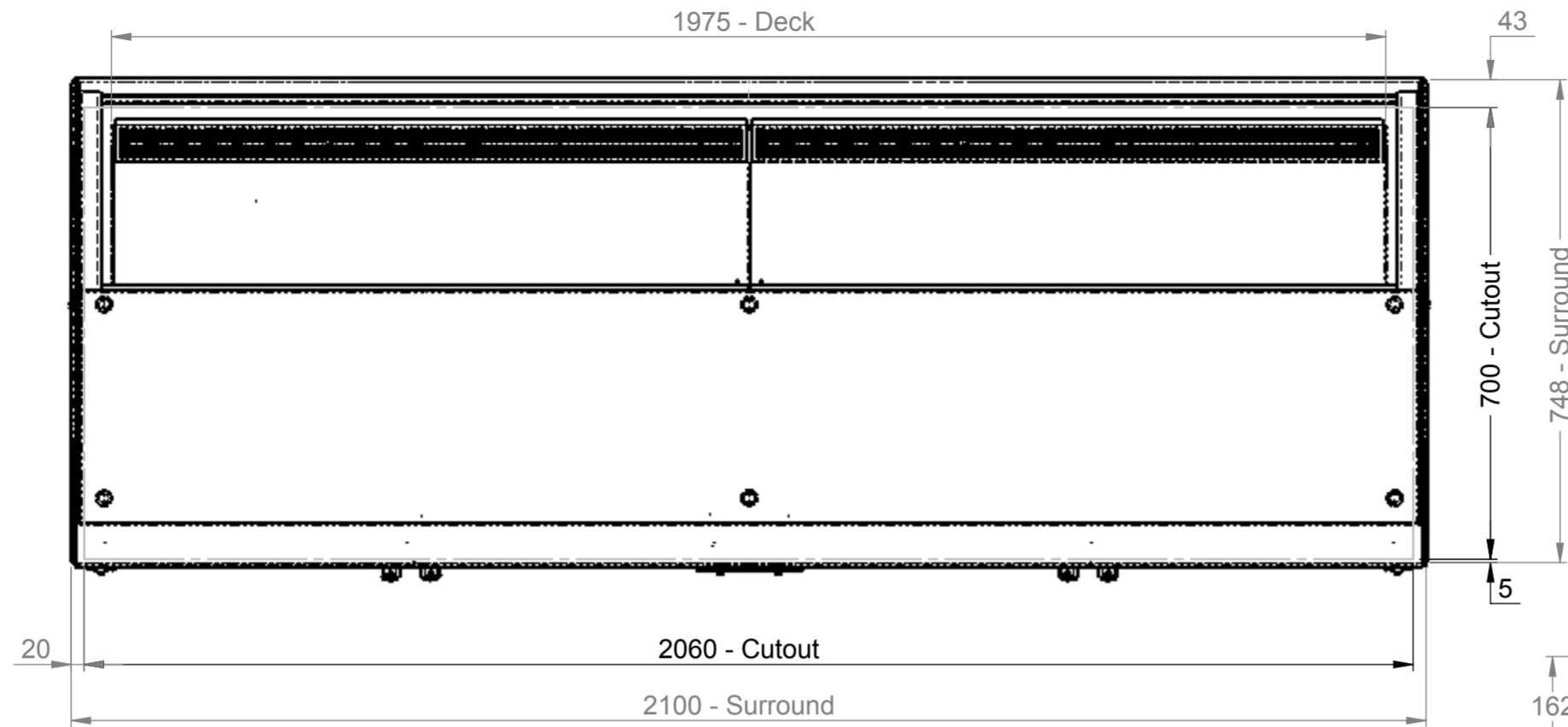
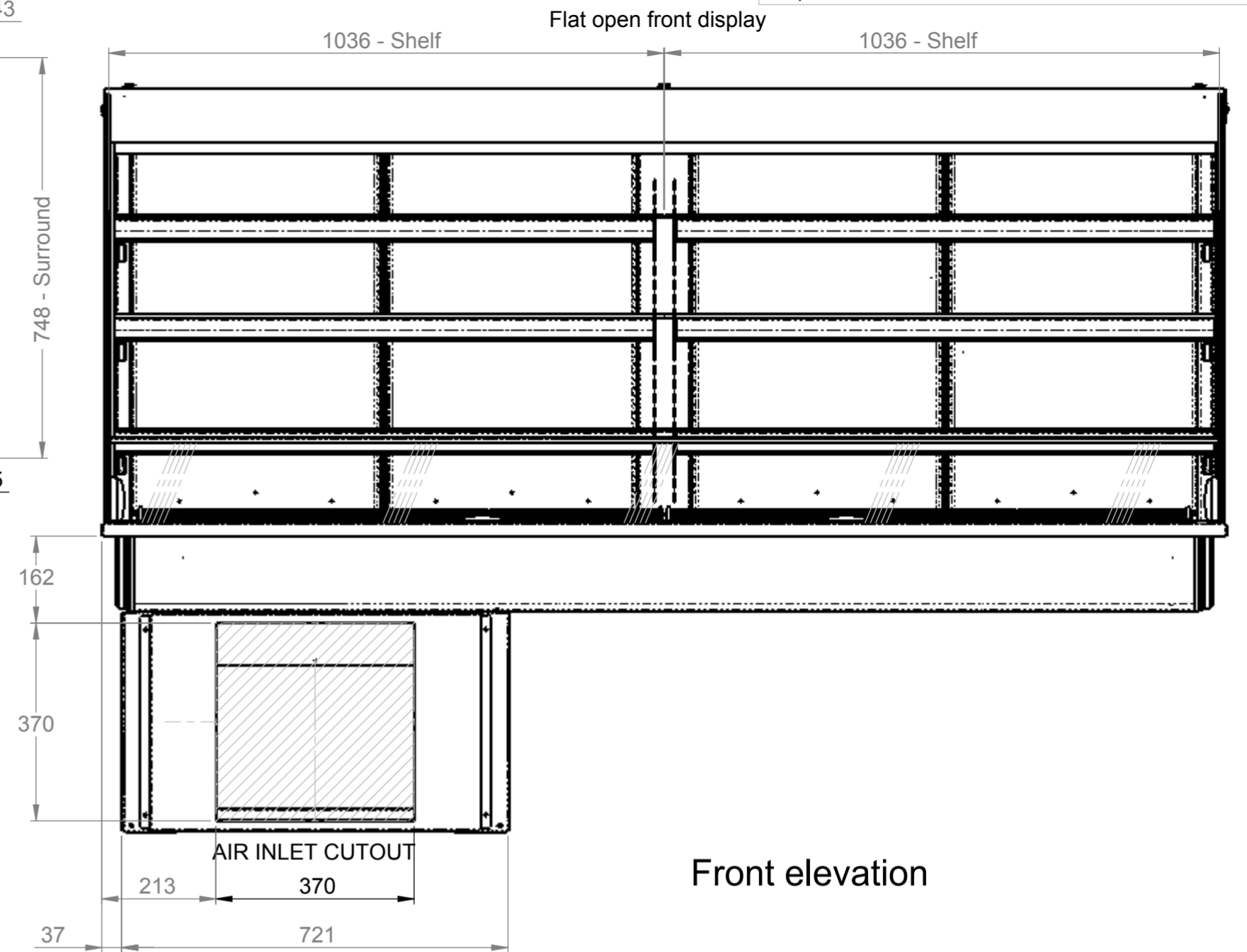


Stainless steel air inlet-outlet grille details

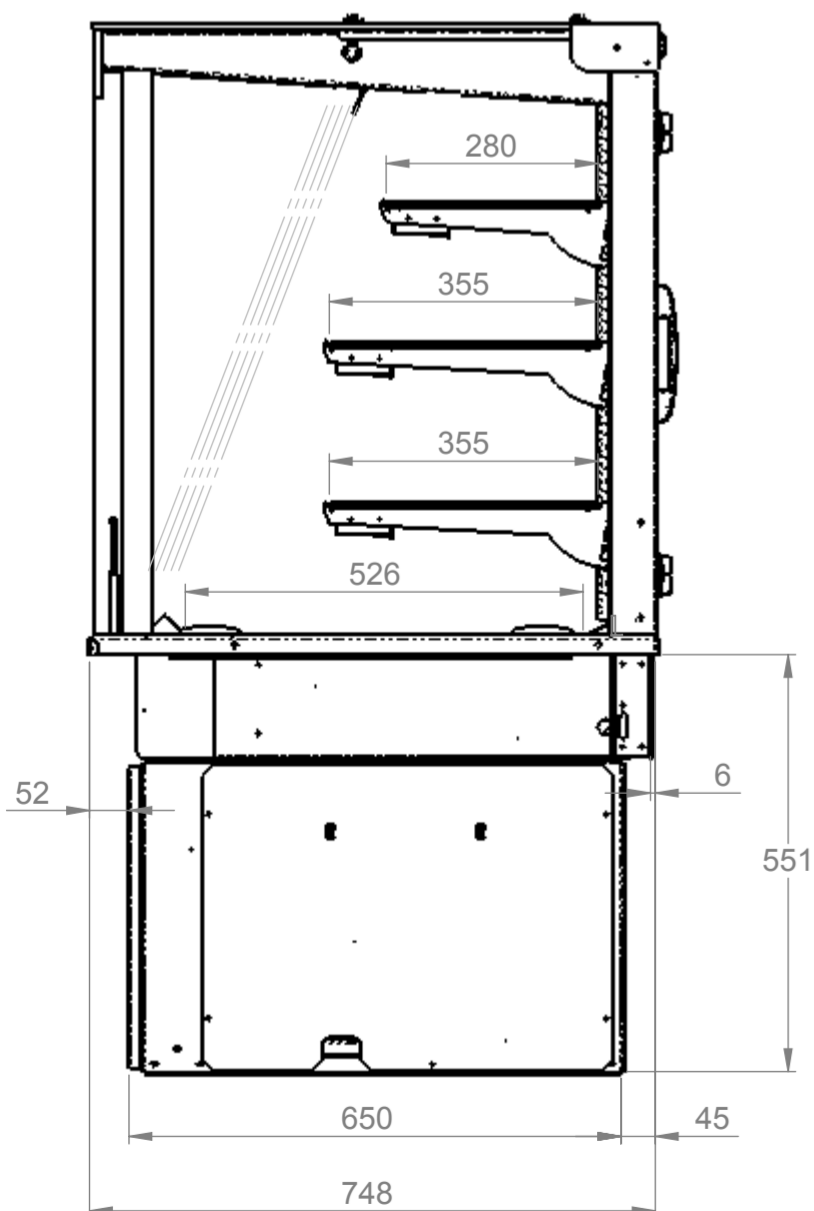


Plan

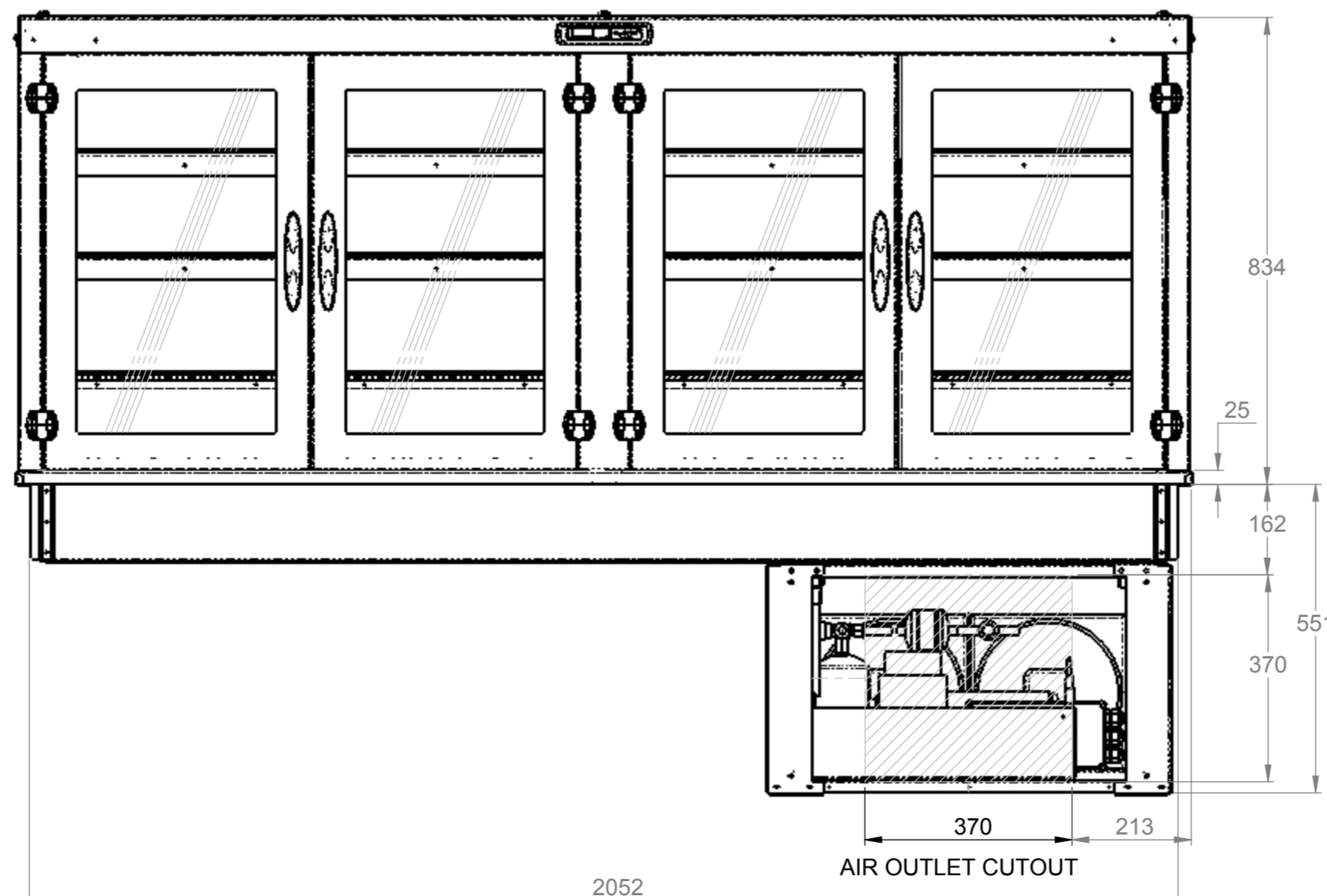


Front elevation

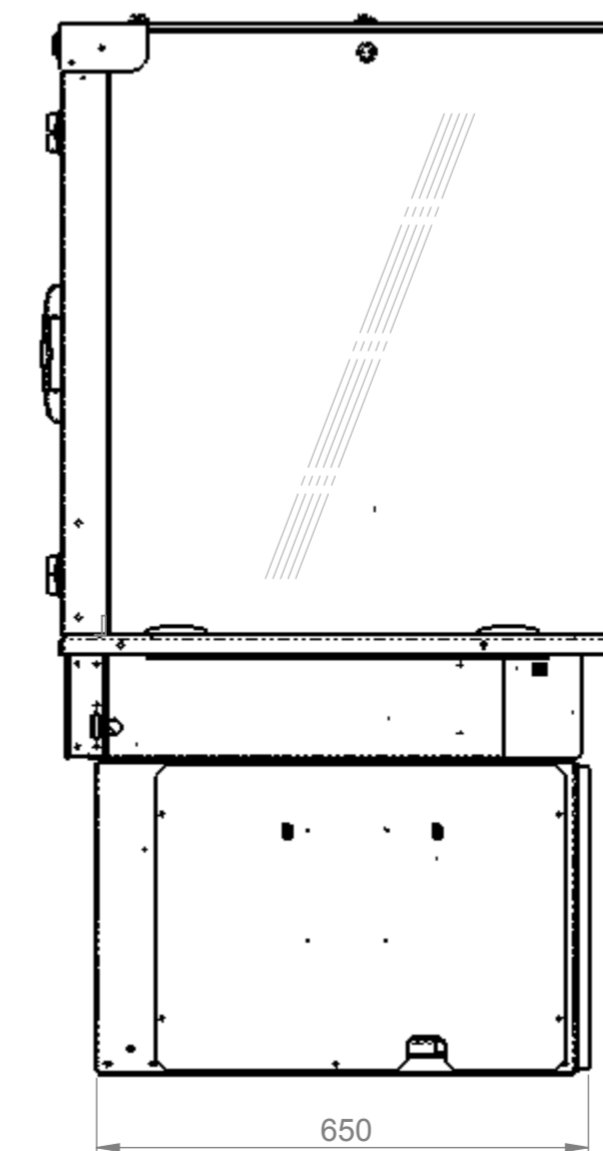
Side hinged rear doors  
Display controls



End elevation




Rear elevation



End elevation

Electrical Spec - 13A, 230V, 2.8Kw  
via 13A plug top on 2.5 Metre lead  
Weight - 350Kg Approx

Assembly No - SVOCDI2100-GO

Issue	Date	Description
 Randles Rd, Knowsley Business Park, Merseyside L34 9HZ. Tel: 0151 548 2211 Fax: 0151 549 2179		
Title: Vision SQ Self Help Chilled Display 2100 Long		
Drg No :	Issue:	Date: 21/10/2015
<b>15-467--A</b>		Scale: 1:10 @ A2
		Chk'd:
Drn by: G Burgess	All dims in MM	Date: