
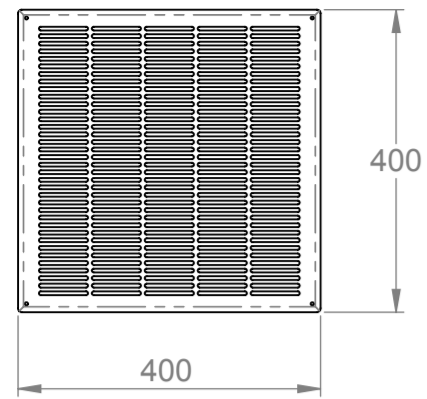
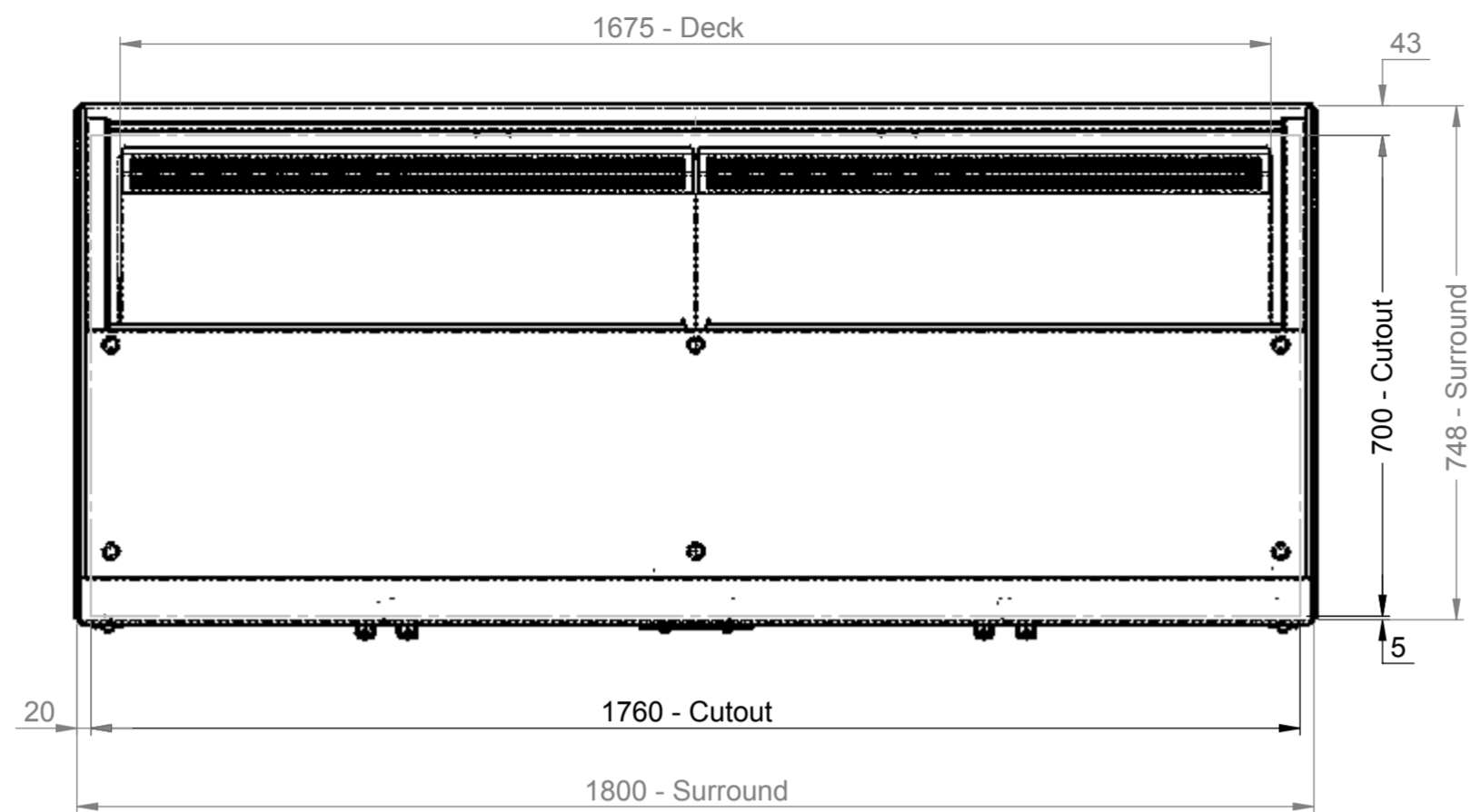


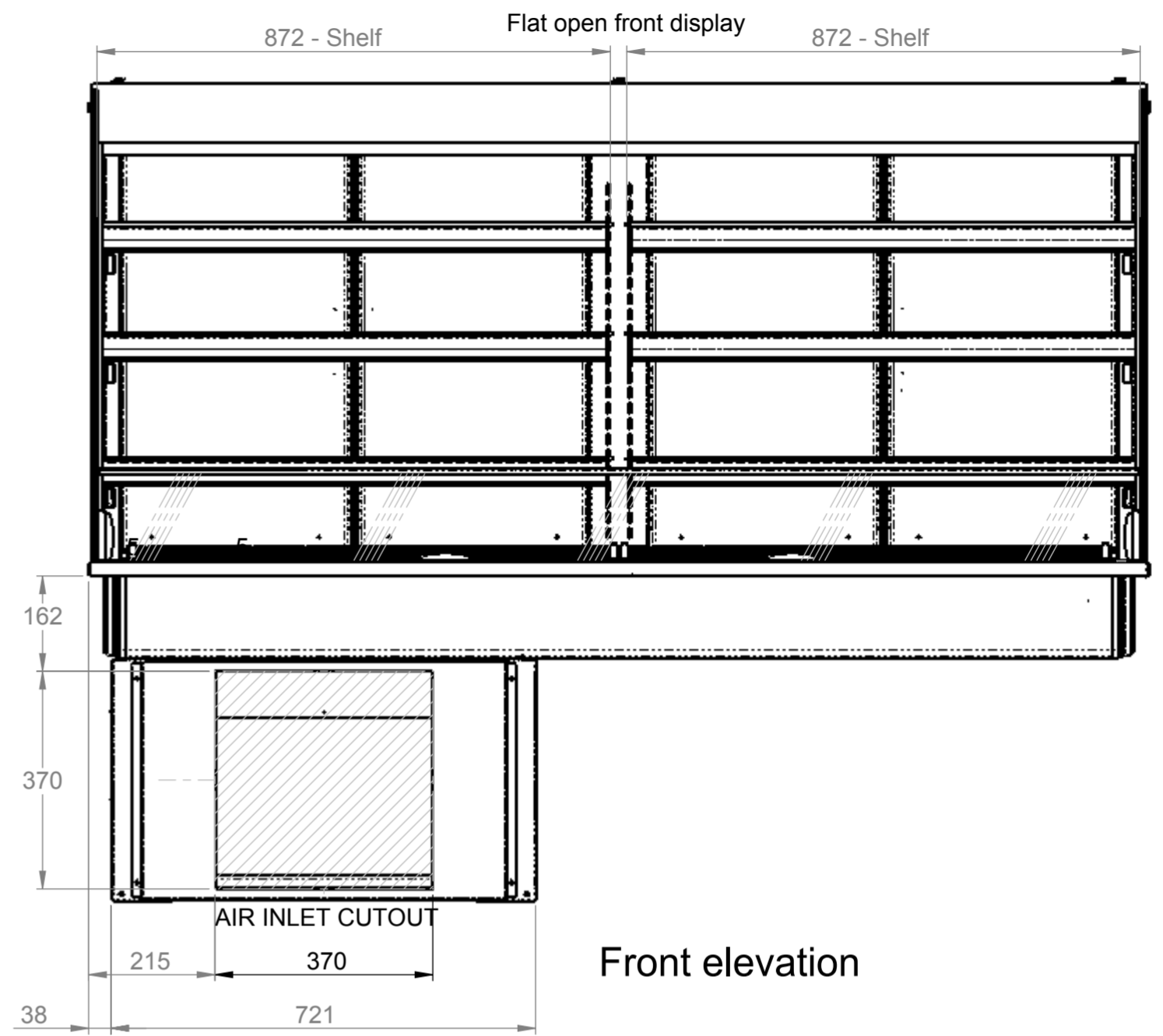
3rd Angle Projection. 
 This drawing and the information properties contained there on is the property of Counterline Ltd and must not be copied or issued to a third party without the prior consent of Counterline Ltd.



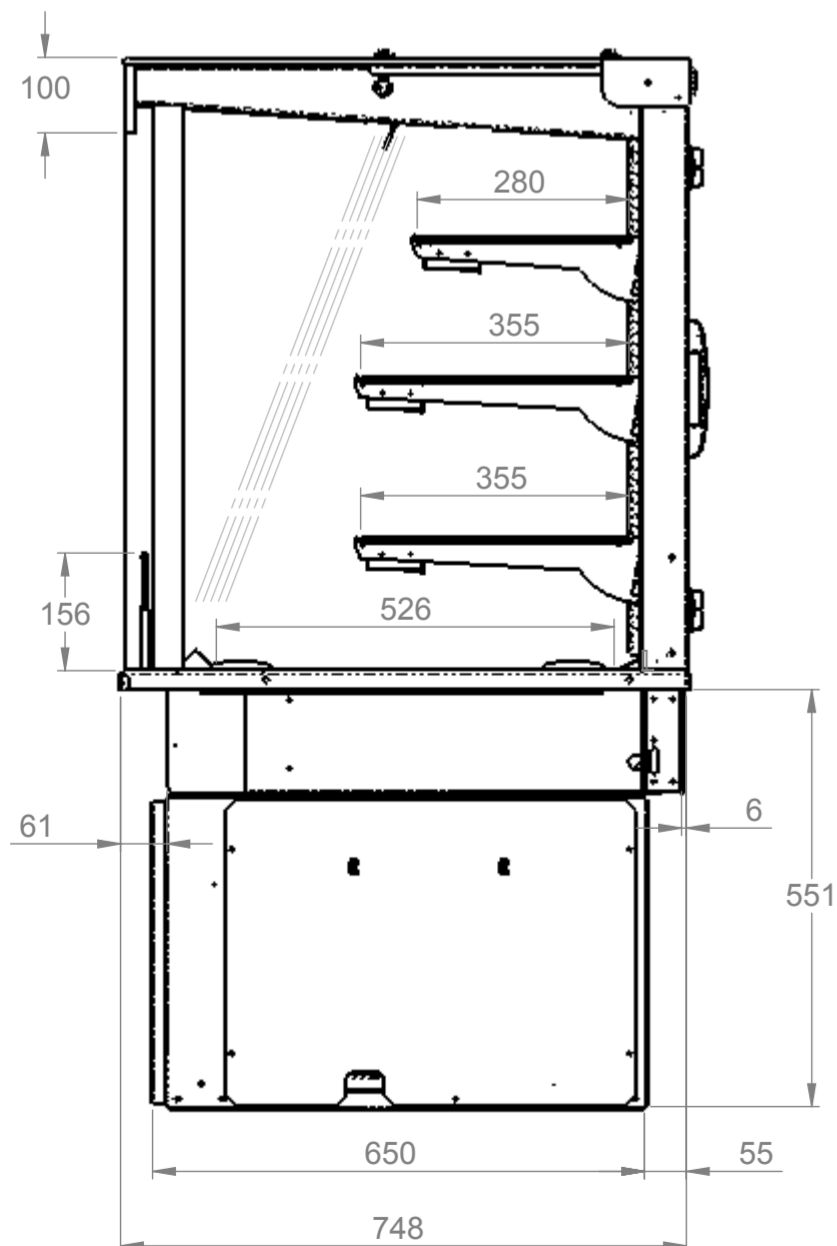
Stainless steel air inlet-outlet grille details



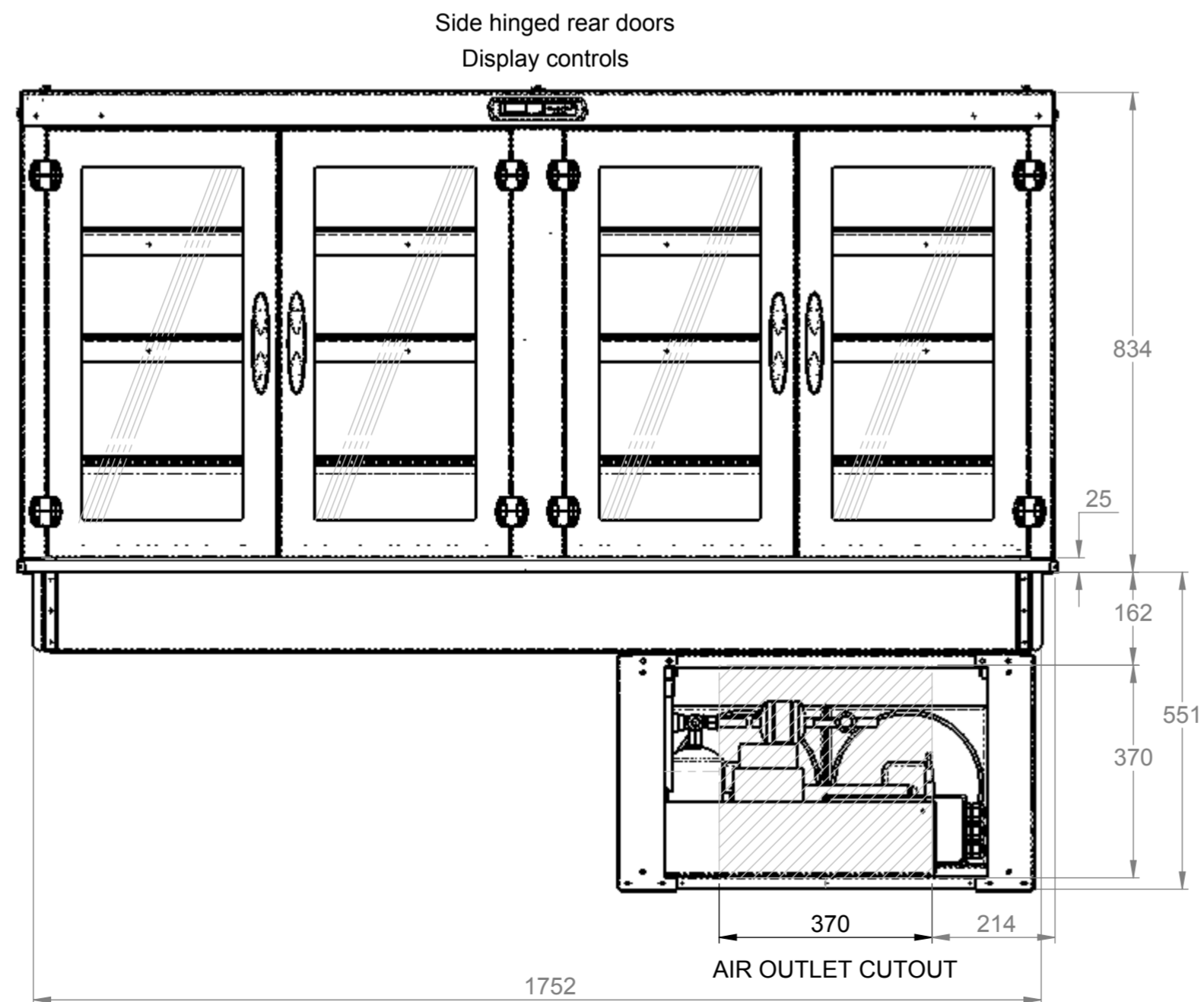
Plan



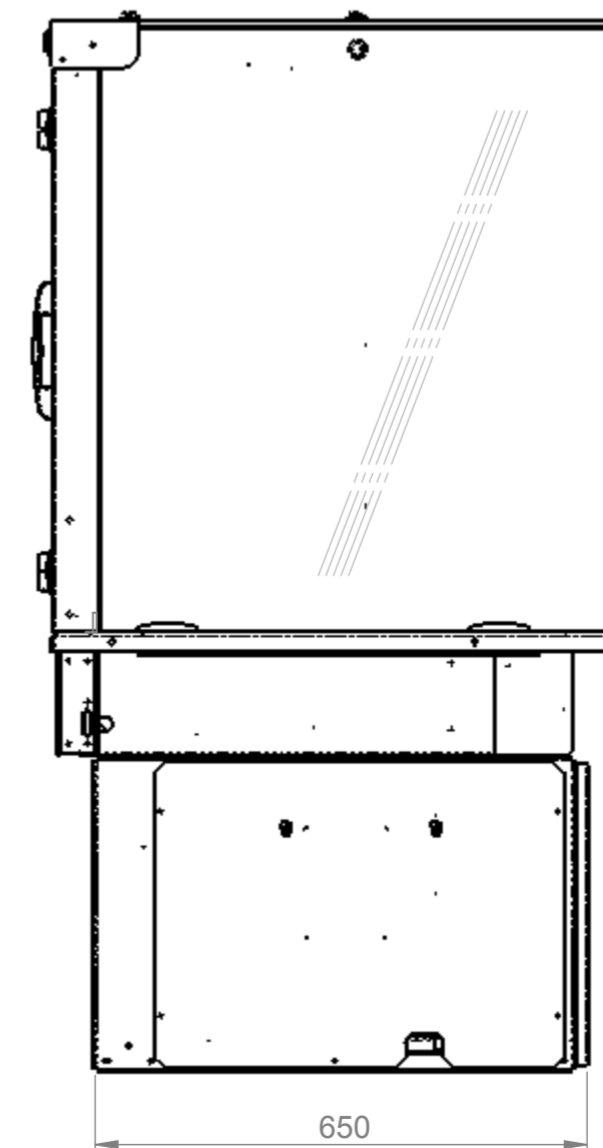
Front elevation



End elevation




Rear elevation



End elevation

Electrical Spec - 13A, 230V, 2.8Kw
 via 13A plug top on 2.5 Metre lead
 Weight - 230Kg Approx

Assembly No - SVOCDI1800-GO

Issue	Date	Description
 Randles Rd, Knowsley Business Park, Merseyside L34 9HZ. Tel: 0151 548 2211 Fax: 0151 549 2179		
Title: SQ Vision Chilled Self Help Display 1800		
Drg No :	Issue:	Date: 22/09/2015
15-464--A		Scale: 1:10 @ A2
		Chk'd:
Drn by: G Burgess	All dims in MM	Date: