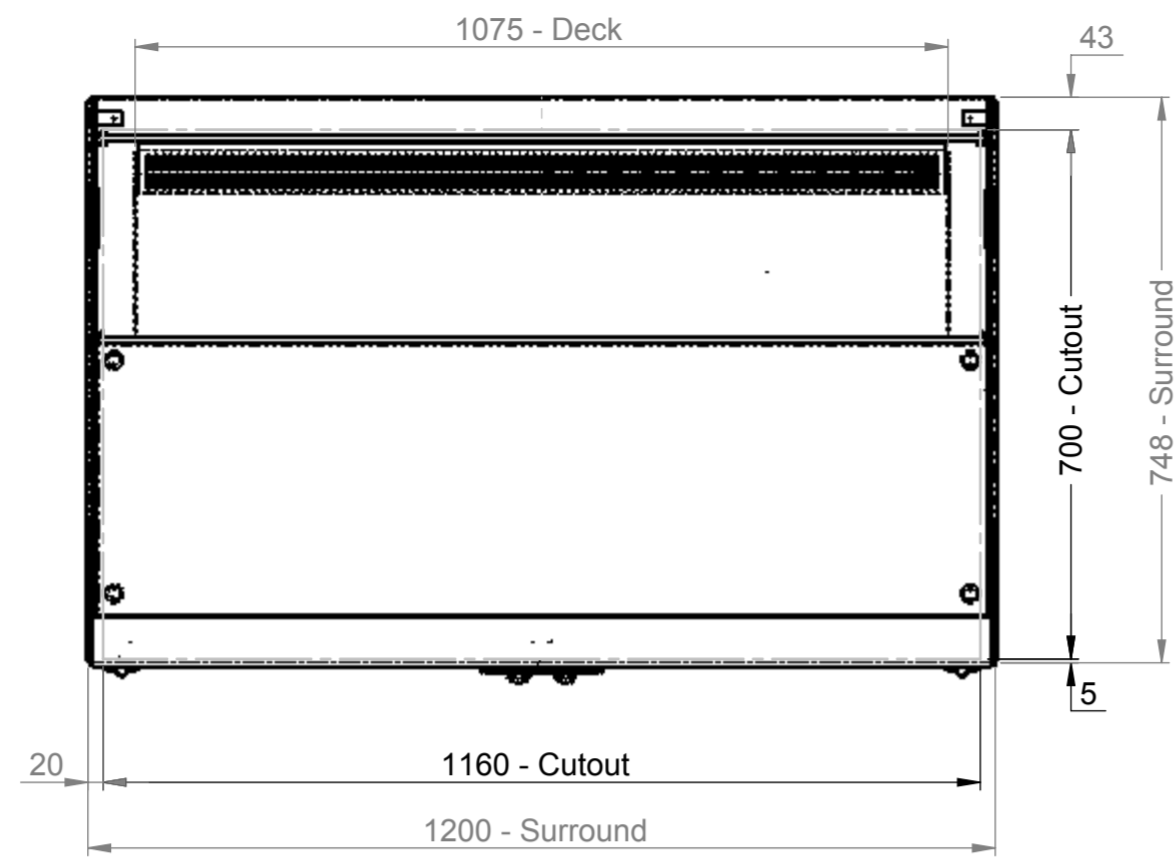
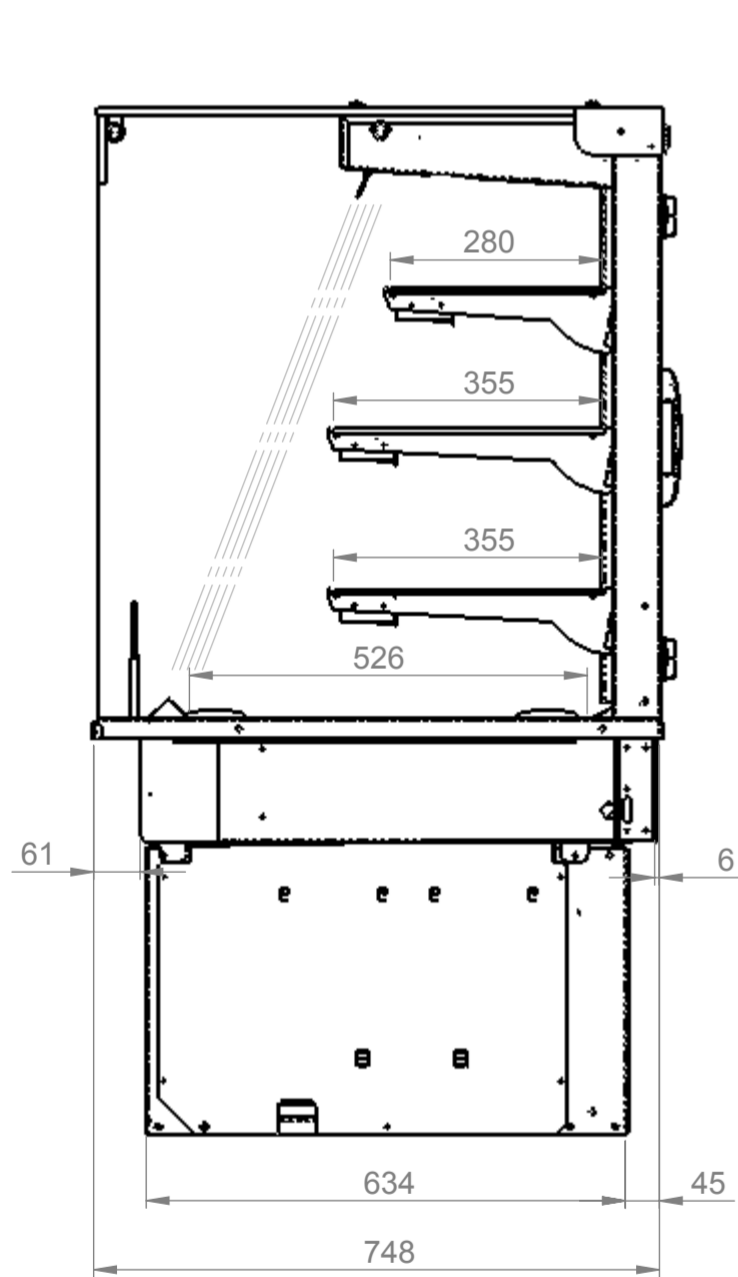




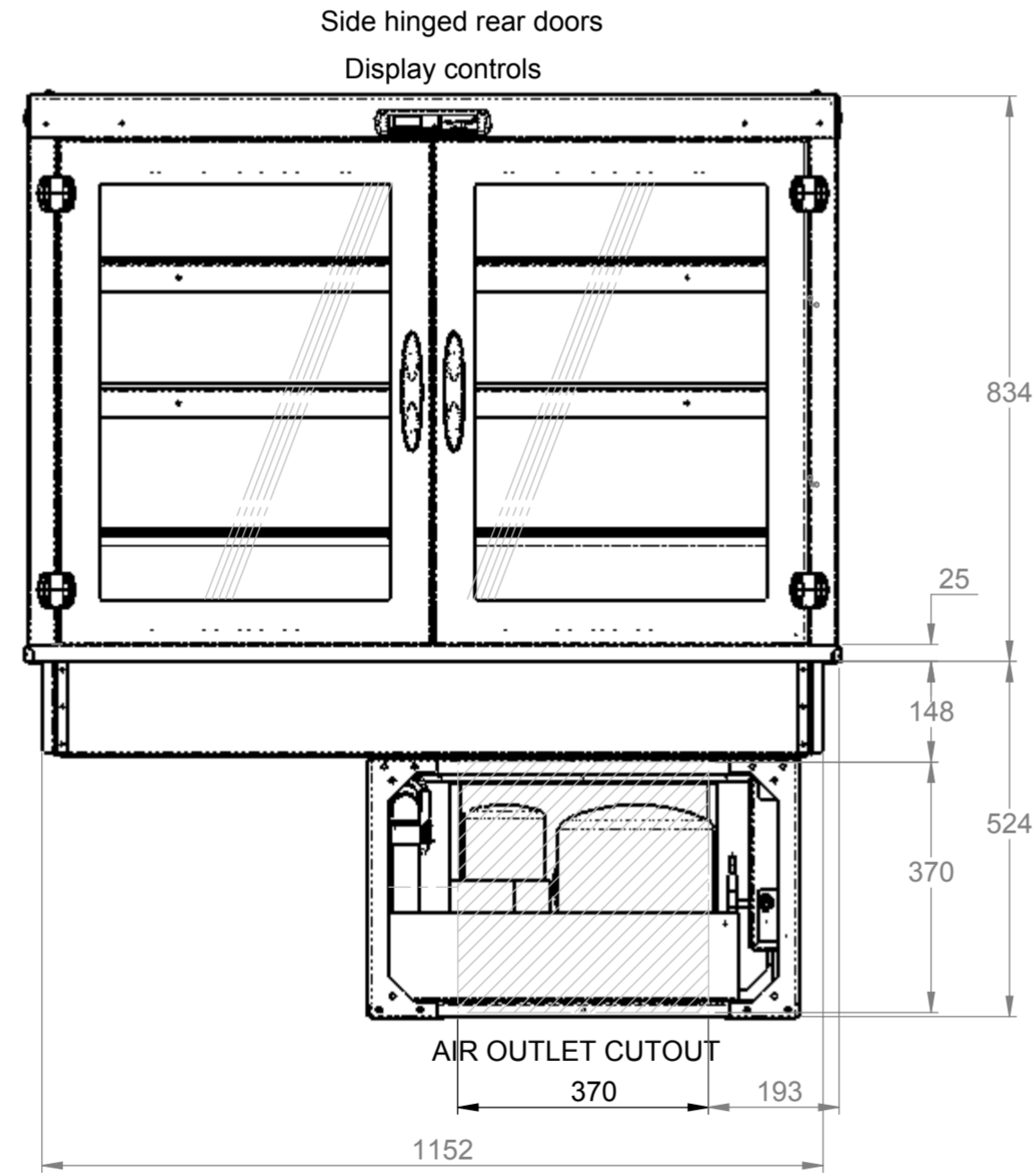
This drawing and the information properties contained there on is the property of Counterline Ltd and must not be copied or issued to a third party without the prior consent of Counterline Ltd.



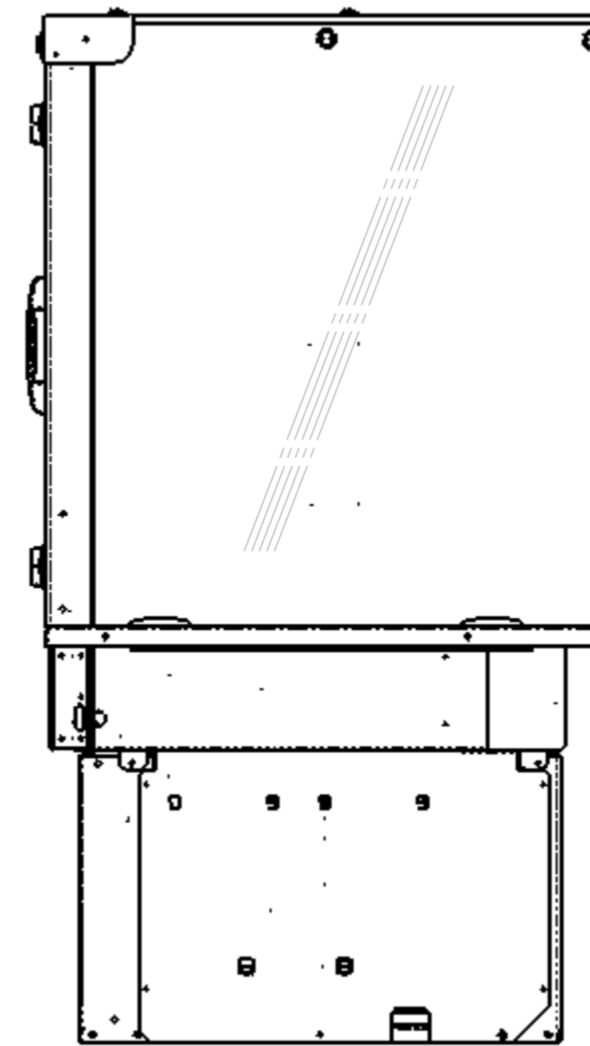
Plan



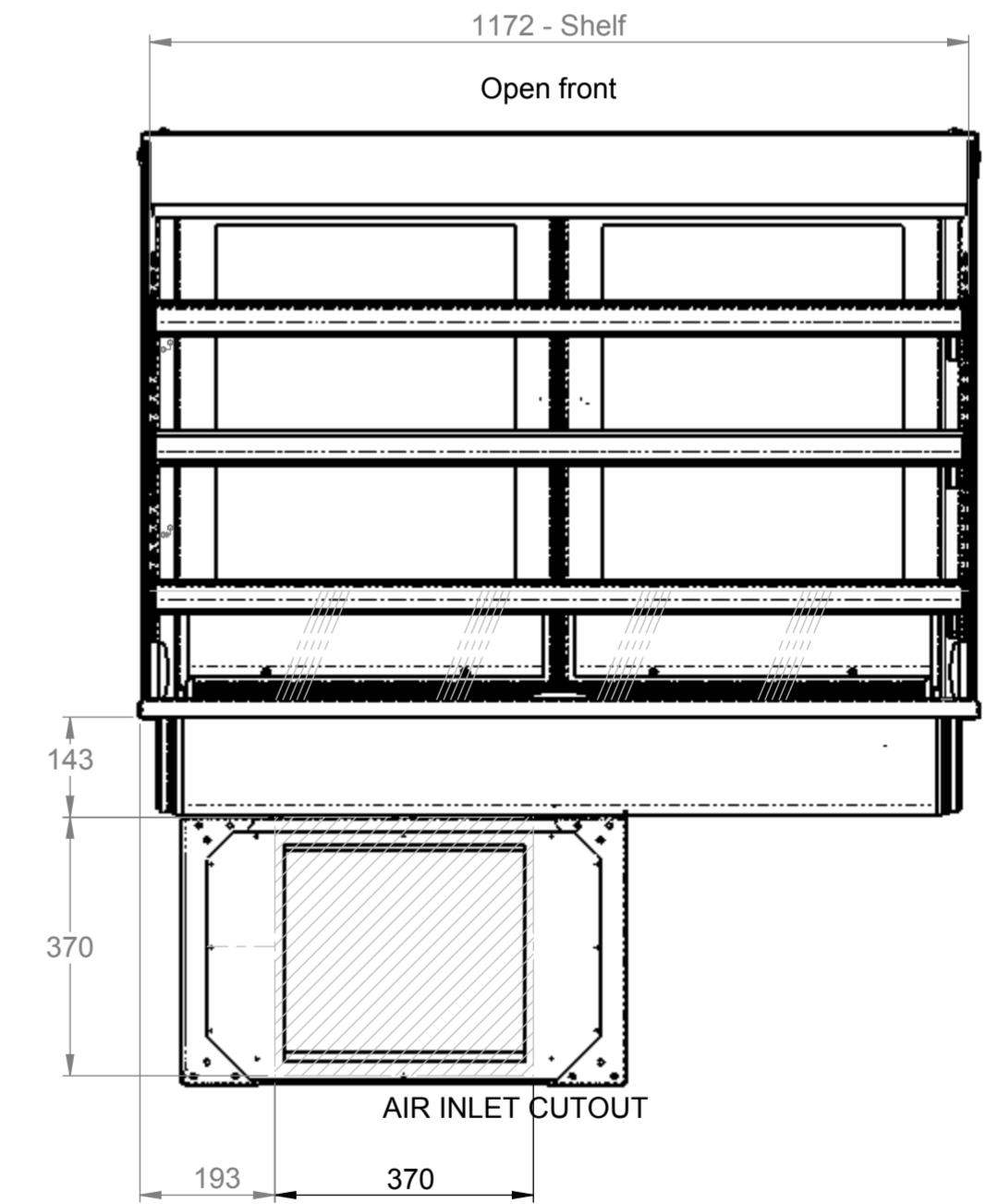
End elevation



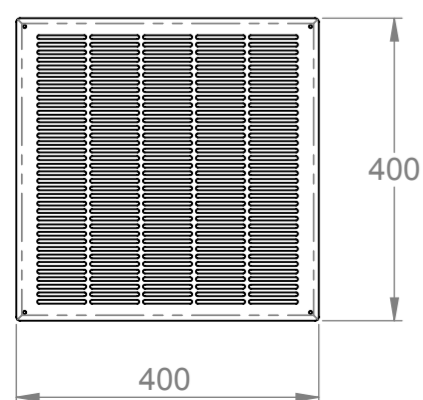
Rear elevation



End elevation



Front elevation



Stainless steel air inlet-outlet grille details

Electrical Spec - 13A, 230V, 2.8Kw  
via 13A plug top on 2.5 Metre lead  
Weight - 210Kg Approx

Assembly No - SVOCDI1200-GO

| Issue  | Date           | Description      |
|--|----------------|------------------|
| <p>Randles Rd, Knowsley Business Park, Merseyside L34 9HZ.<br/>Tel: 0151 548 2211 Fax: 0151 549 2179</p> |                |                  |
| Title: Vision SQ Open Chilled Display 1200   |                |                  |
| Drg No :   | Issue:         | Date: 13/10/2015 |
| 14-226--A  |                | Scale: 1:10 @ A2 |
|  |                | Chk'd:           |
| Drn by: G Burgess  | All dims in MM | Date:            |