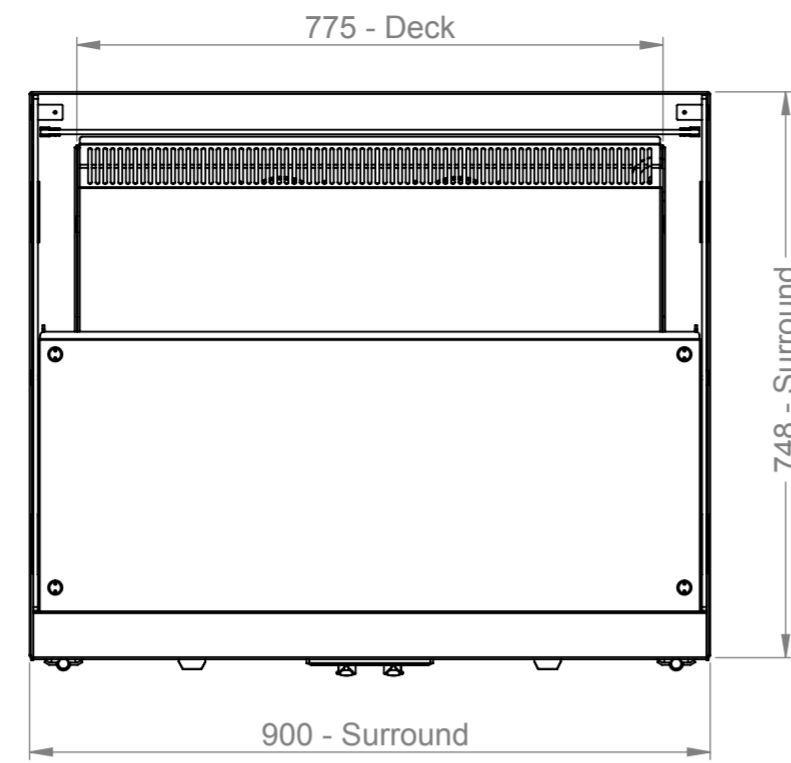


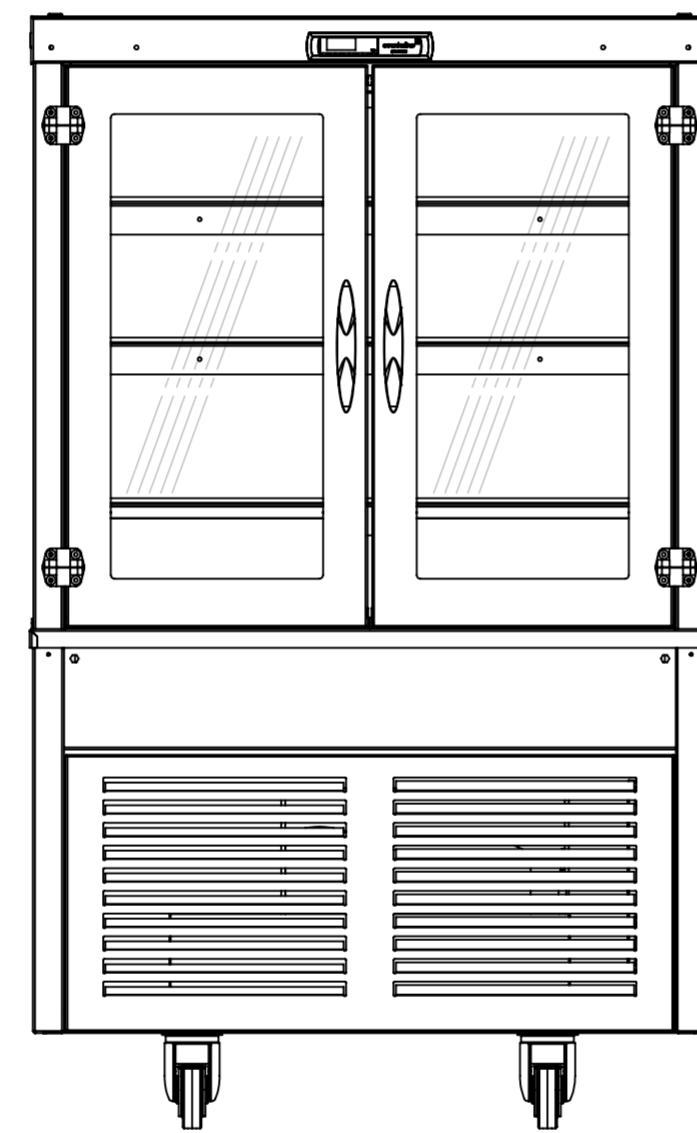


This drawing and the information properties contained there on is the property of Counterline Ltd and must not be copied or issued to a third party without the prior consent of Counterline Ltd.



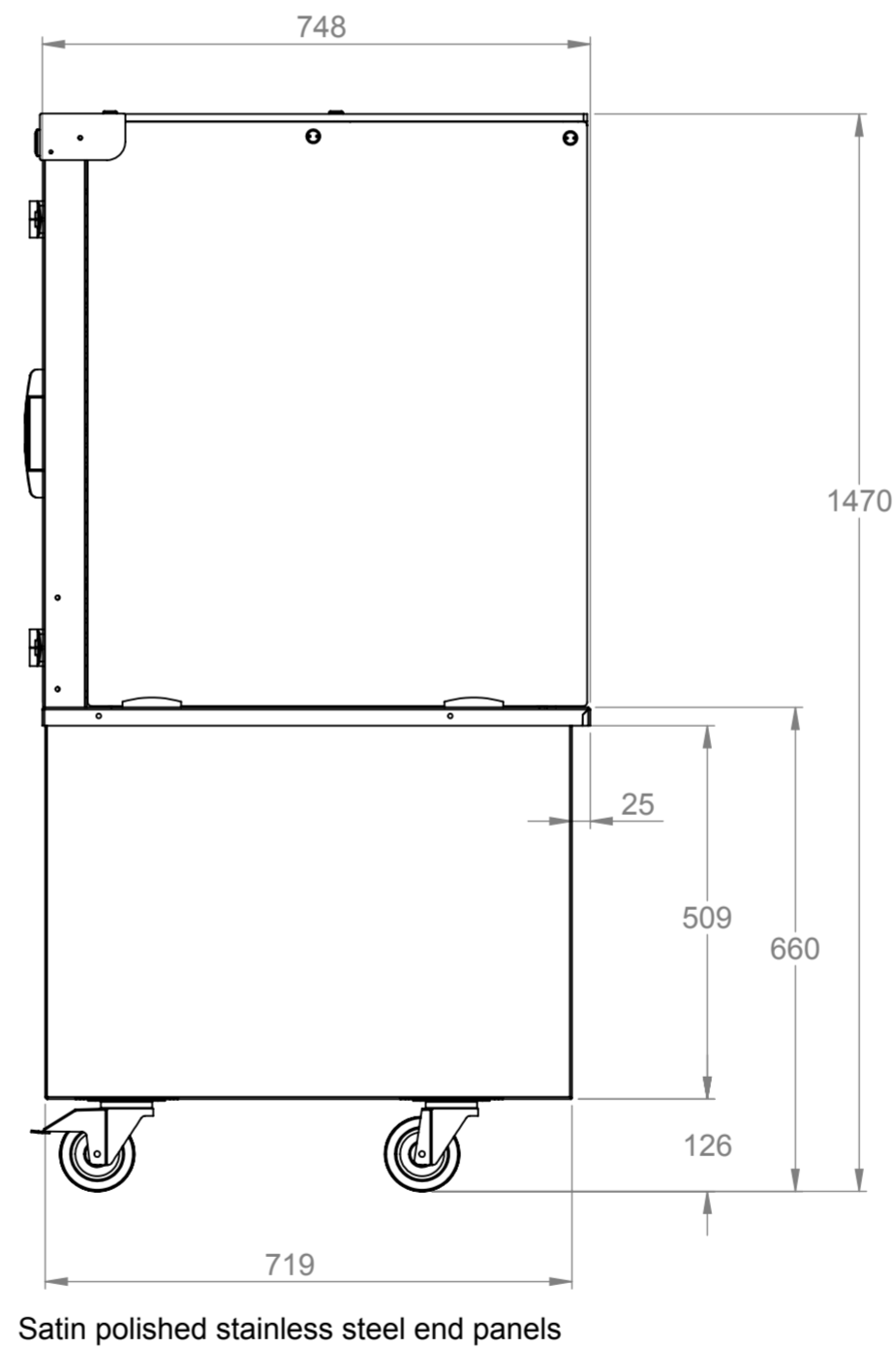
Plan

Rear side hinged doors



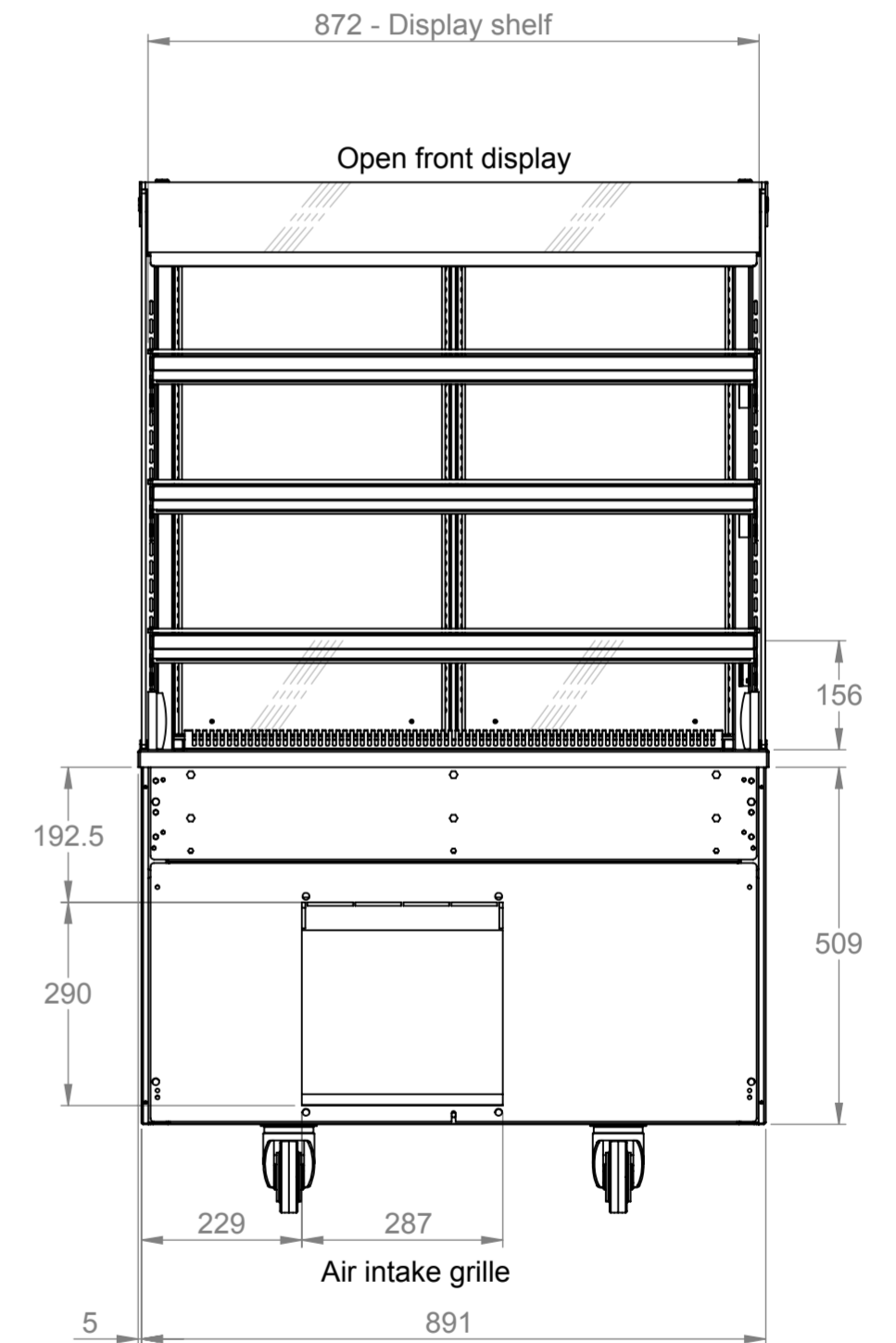
Service void

Rear elevation

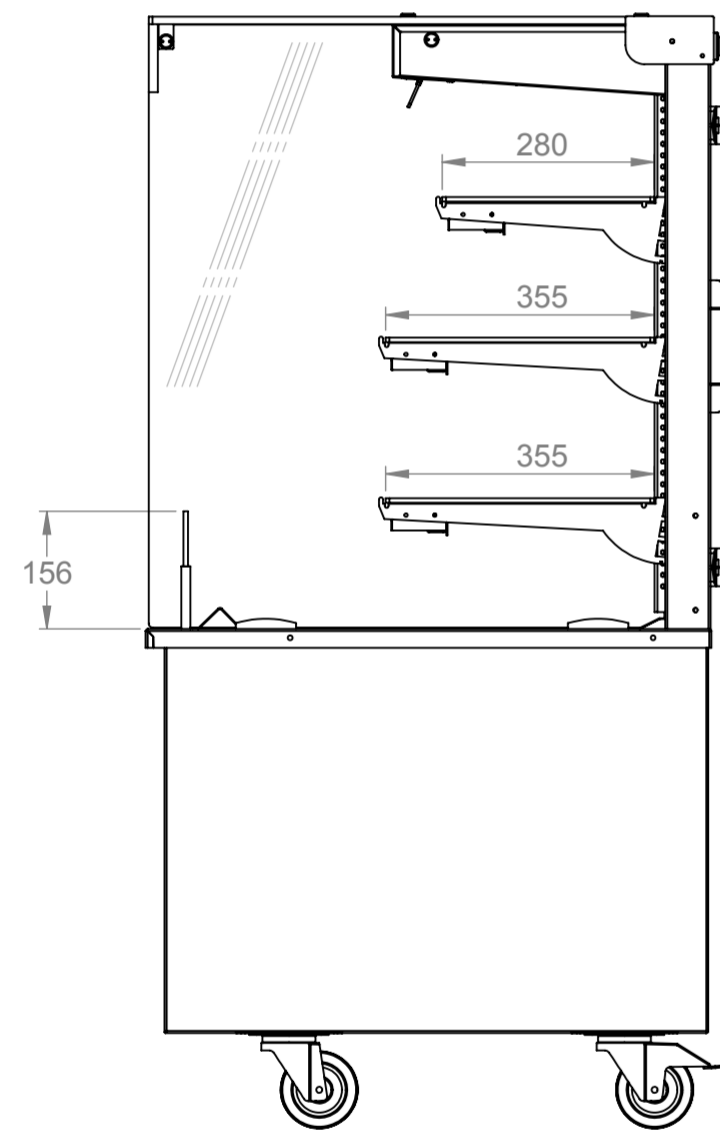


Satin polished stainless steel end panels

End elevation



Front elevation



End elevation

Electrical Spec - 13A 230V, 2.6Kw
via 13 Amp plugtop on 2.5 Metre lead
Weight - 180Kg Approx

Assembly No - SVOC900-GO

Issue	Date	Description
<p>Randles Rd, Knowsley Business Park, Merseyside L34 9HZ. Tel: 0151 548 2211 Fax: 0151 549 2179</p>		
Title: Vision SQ Open Chilled Display 900		
Drg No :	Issue:	Date: 07/10/2015
14-216--A		Scale: 1:10 @ A2
Drn by: G Burgess		Chk'd:
All dims in MM		Date: