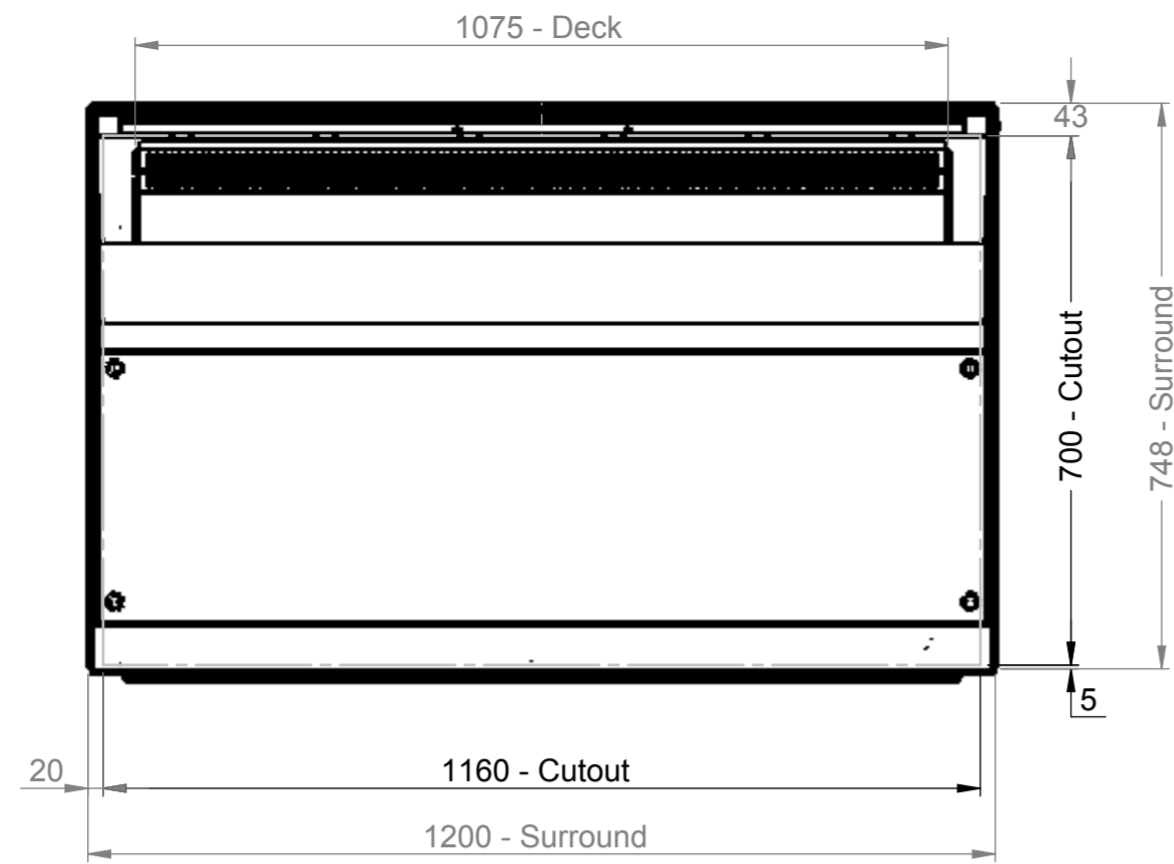


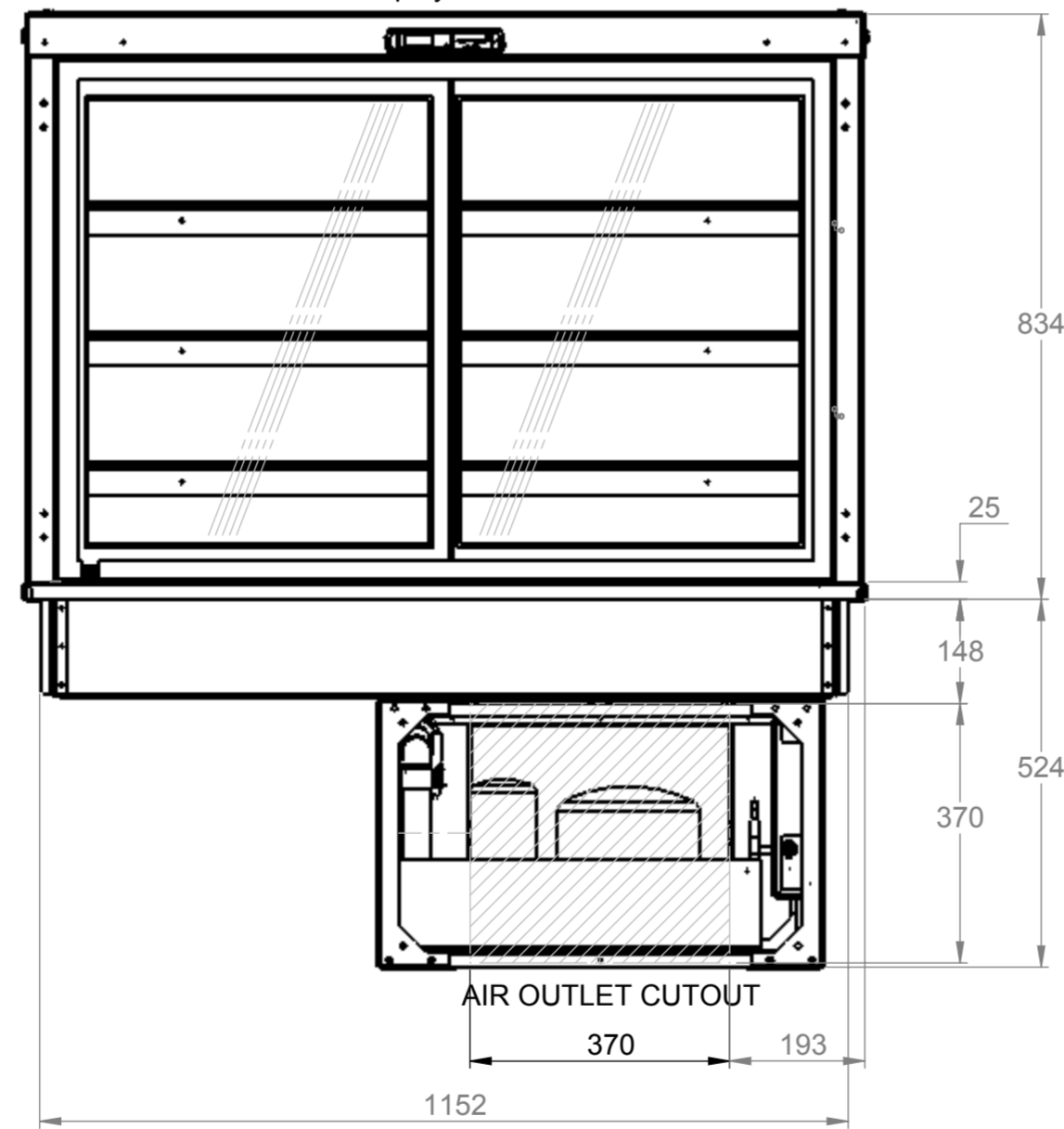


This drawing and the information properties contained there on is the property of Counterline Ltd and must not be copied or issued to a third party without the prior consent of Counterline Ltd.

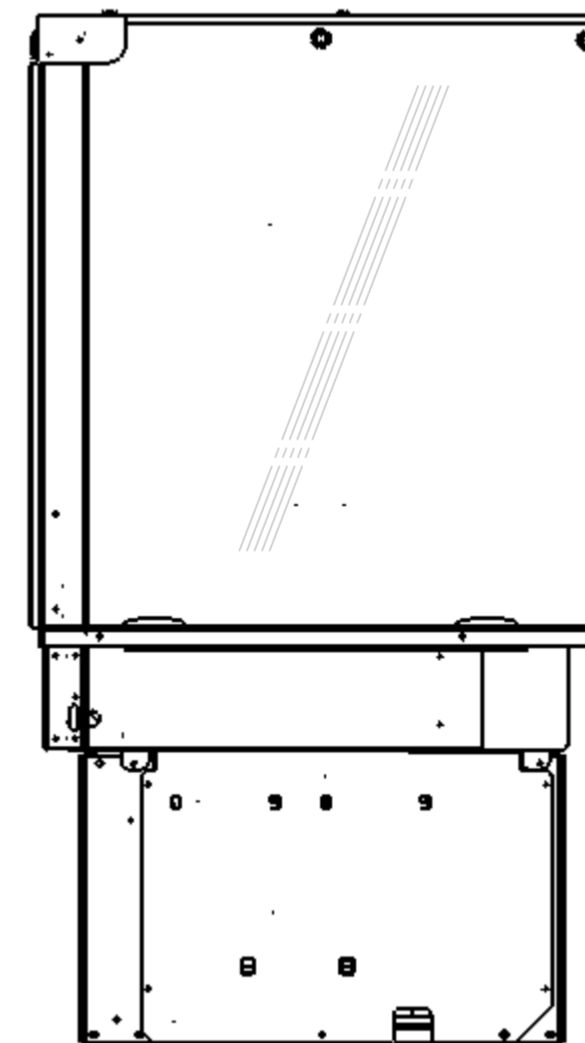


Plan

Sliding rear doors
Display controls

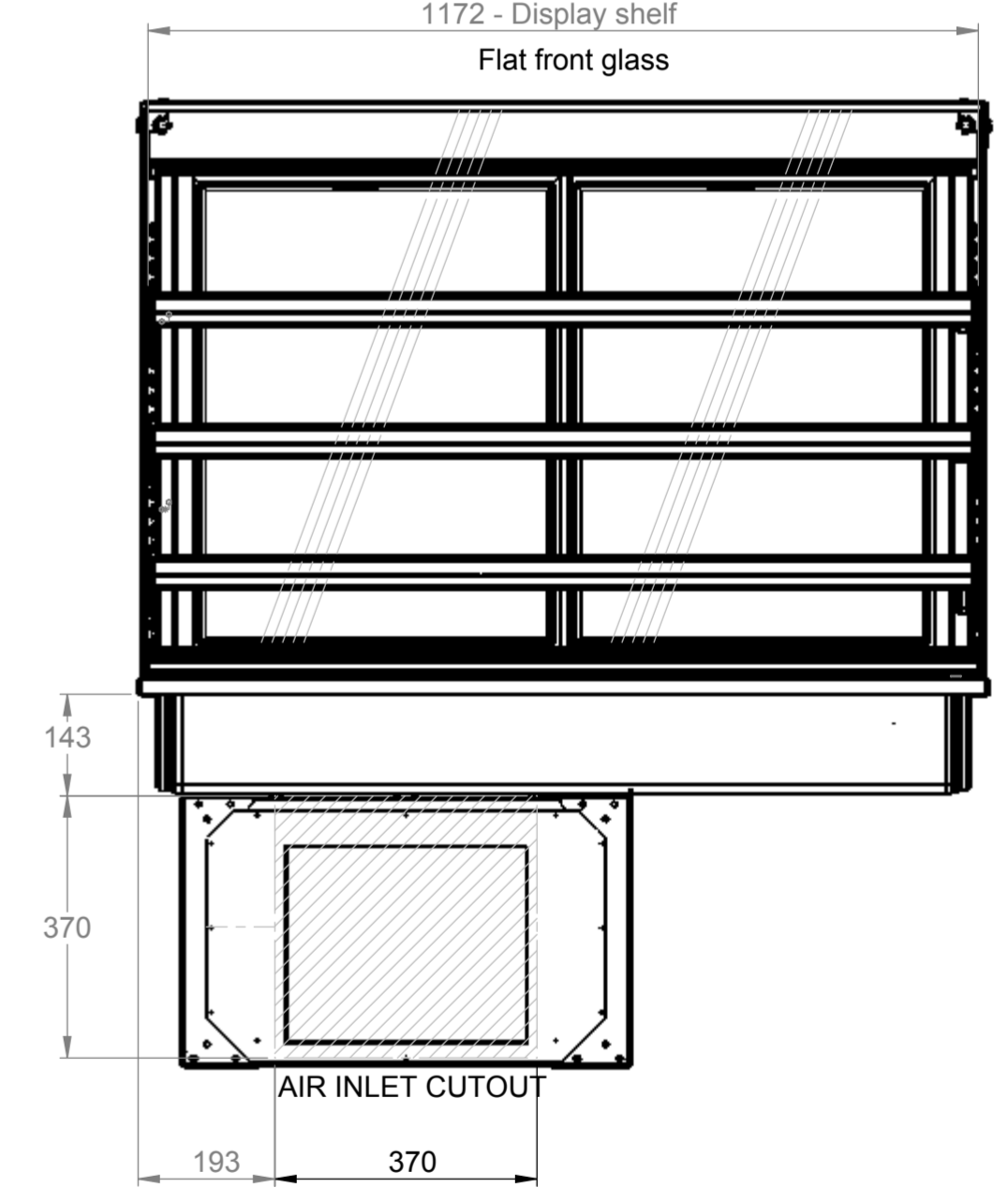


Rear elevation

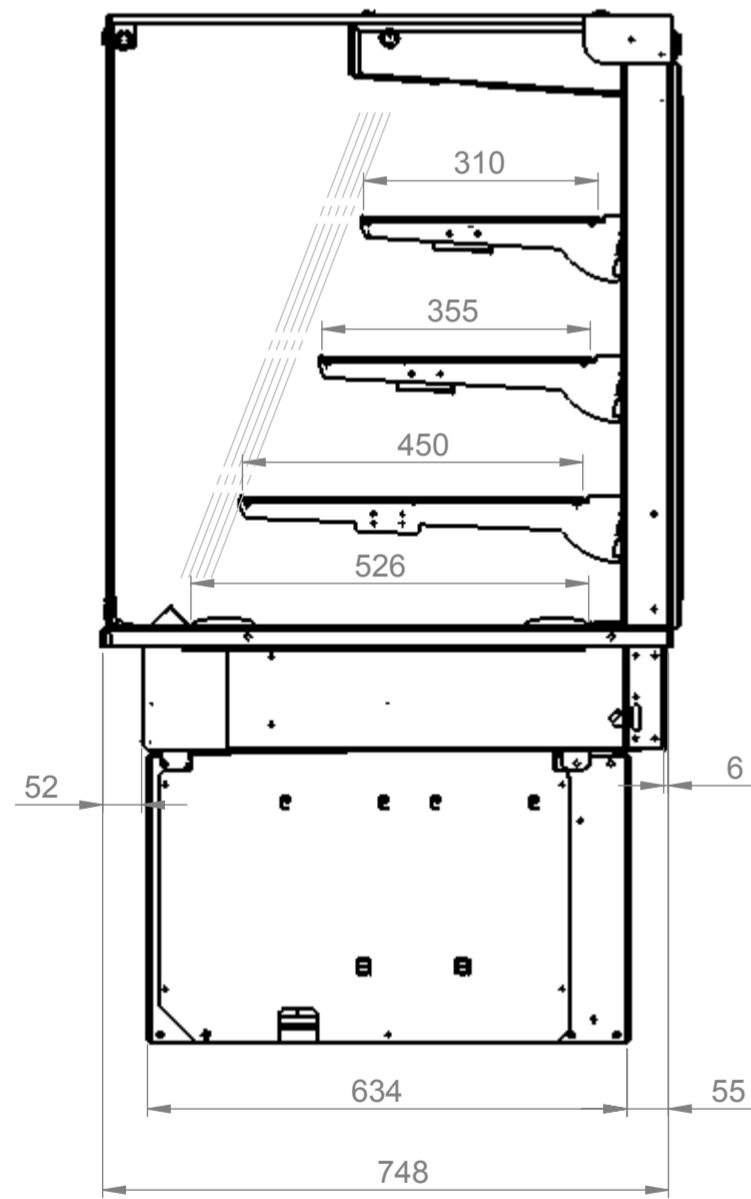


End elevation

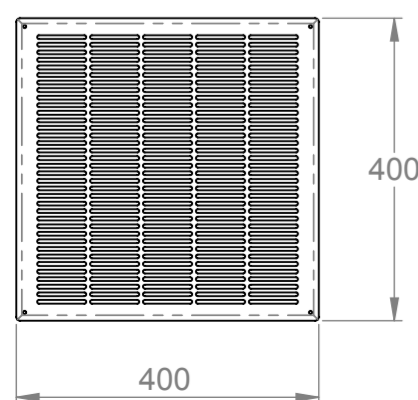
1172 - Display shelf
Flat front glass



Front elevation



End elevation



Stainless steel air inlet-outlet grille details

Electrical Spec - 13A, 230V, 2.3Kw
via 13A plug top on 2.5 Metre lead
Weight - 213Kg Approx

Assembly No - SVCDI1200-GO

Issue	Date	Description
<p>Randles Rd, Knowsley Business Park, Merseyside L34 9HZ. Tel: 0151 548 2211 Fax: 0151 549 2179</p>		
Title: Vision SQ Enclosed Chilled Display 1200		
Drg No :	Issue:	Date: 12/10/2015
14-223--A		Scale: 1:10 @ A2
		Chk'd:
Drn by: G Burgess	All dims in MM	Date: