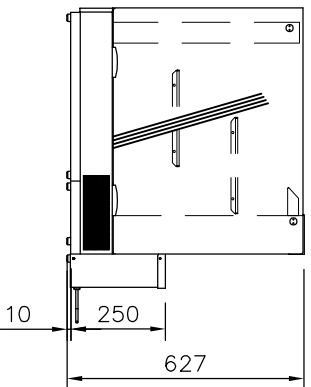
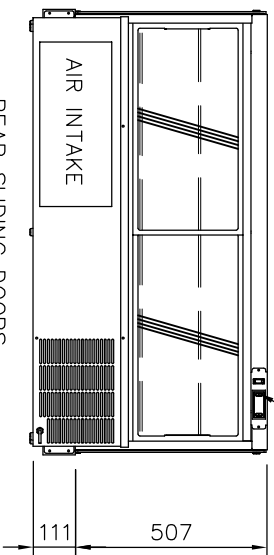


PLAN VIEW

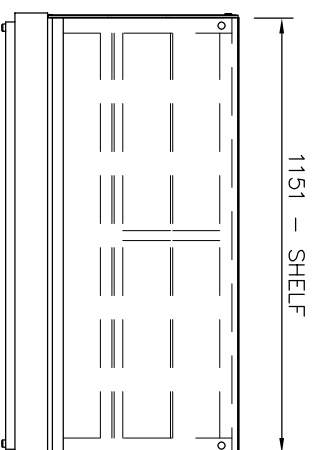
CONTROLS



END ELEVATION



REAR ELEVATION



FRONT ELEVATION

PRODUCT RANGE: COUNTERTOP VISION
 DESC.: CHILLED ENCLOSED ASSISTED SERVICE
 COUNTERTOP DISPLAY
 OPTION:

DISPLAY SUPPLIED WITH 1500mm LEAD & PLUGTOP

DISPLAY HAS INTEGRAL CONDENSATE EVAPORATOR

ELECTRICAL INFO: 13A, 230V

WEIGHT: 86Kg

ID CODE:

SVCCT3

counterline

RANDES RD, KNOWSLEY BUSINESS PARK, MERSEYSIDE L34 9HZ.
 Tel: 0151 548 2211 Fax: 0151 549 2179

ISSUE: 1 SCALE: 1:20 © A4