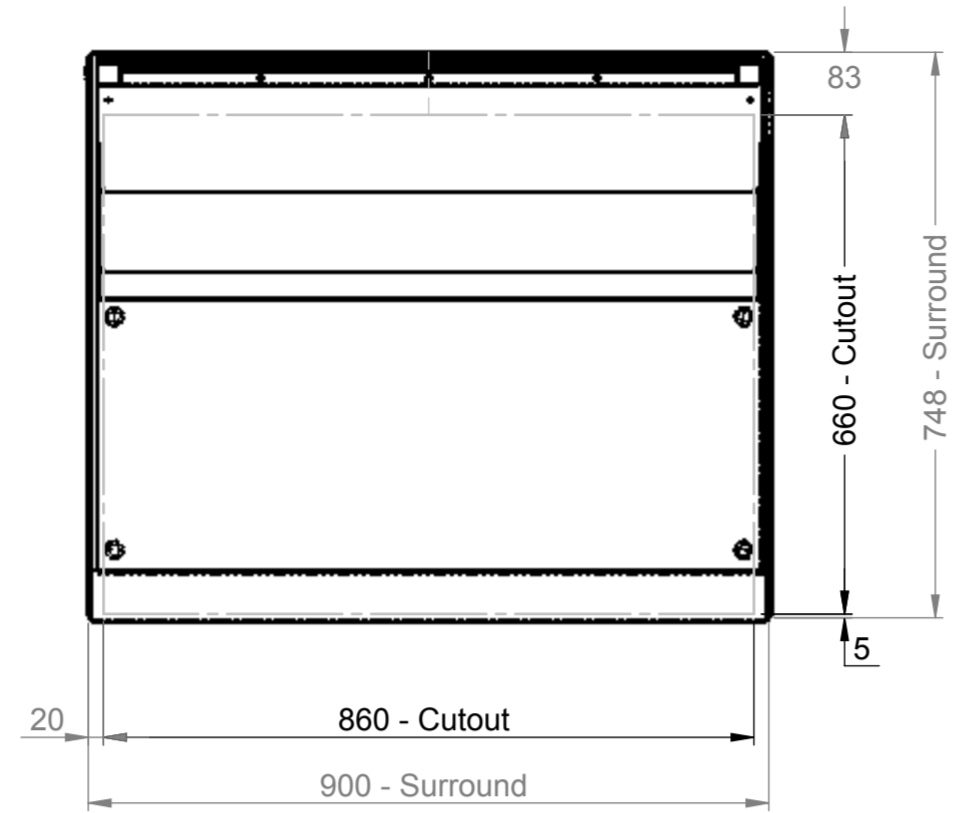
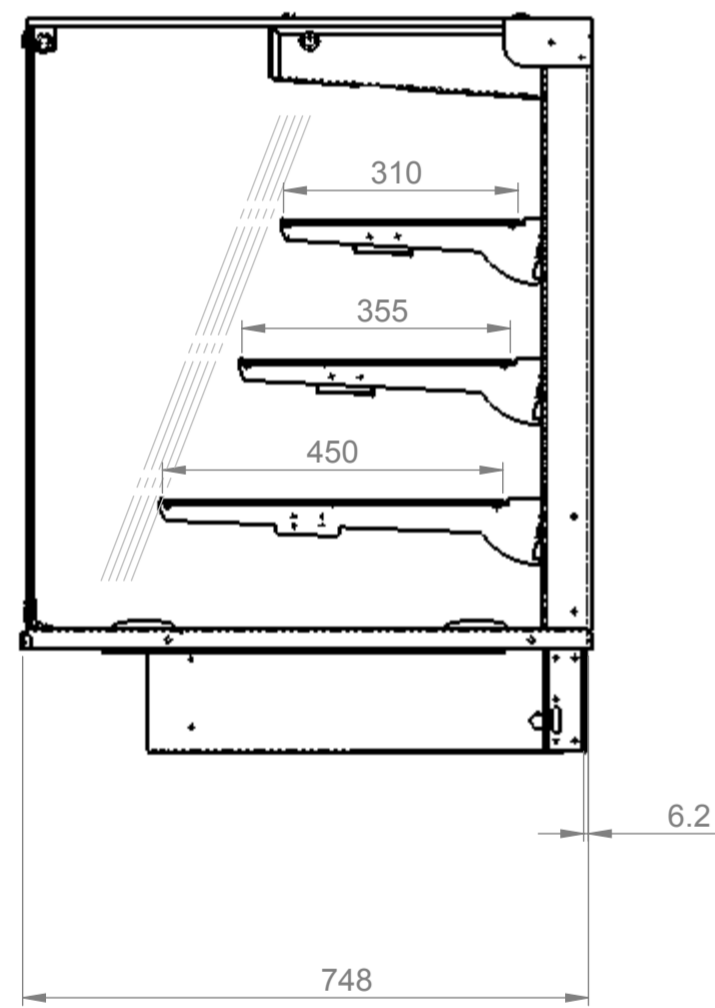




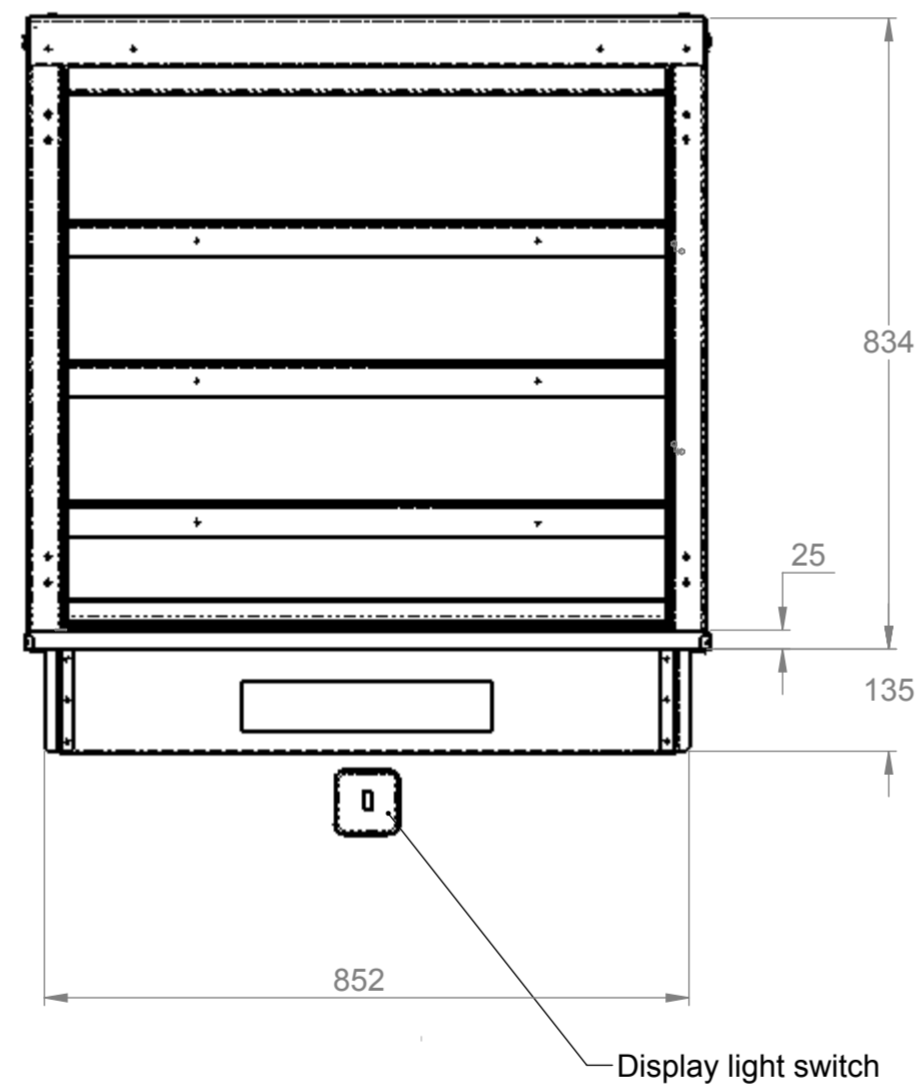
This drawing and the information properties contained there on is the property of Counterline Ltd and must not be copied or issued to a third party without the prior consent of Counterline Ltd.



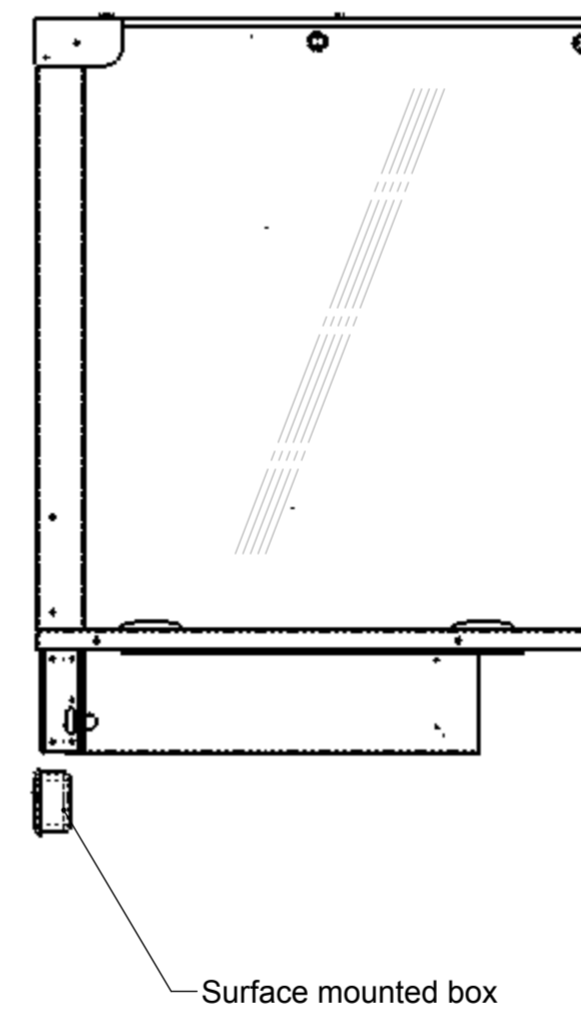
Plan



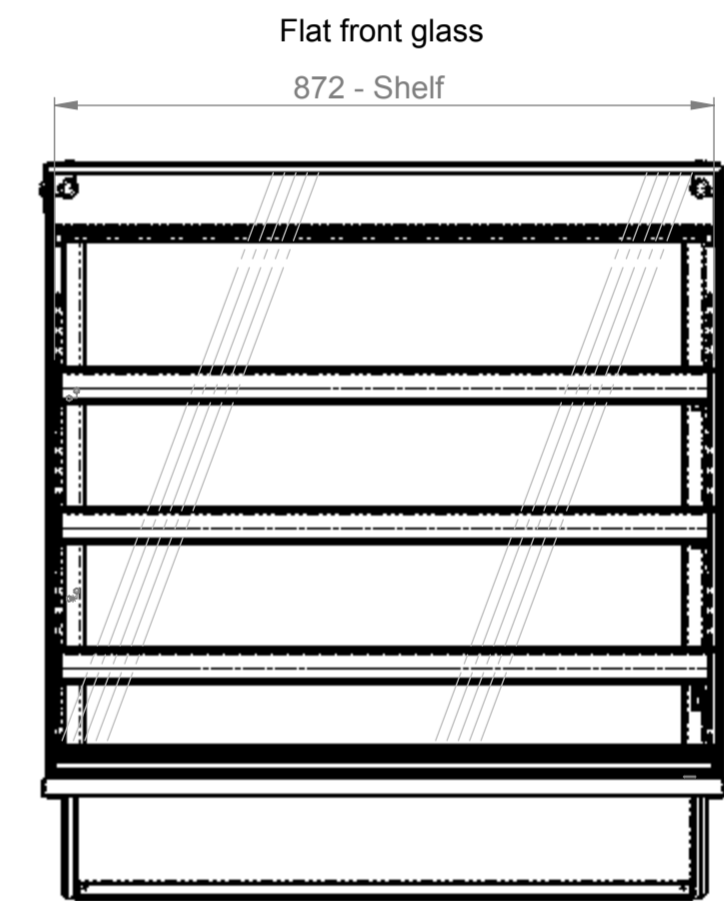
End elevation



Rear elevation



End elevation



Front elevation

Electrical Spec - 13A, 230V, 0.3Kw  
via 13A plug top on 2.5 Metre lead  
Weight - 87Kg Approx

Assembly No - SVADI900

Issue	Date	Description
Randles Rd, Knowsley Business Park, Merseyside L34 9HZ. Tel: 0151 548 2211 Fax: 0151 549 2179		
Title: Vision SQ Enclosed Ambient Display 900		
Drg No :	Issue:	Date: 22/10/2015
14-716--A		Scale: 1:10 @ A2
		Chk'd:
Drn by: G Burgess	All dims in MM	Date: