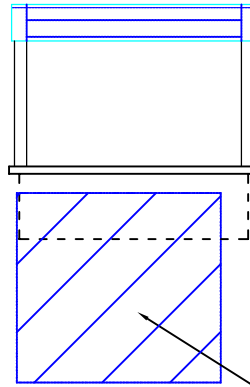
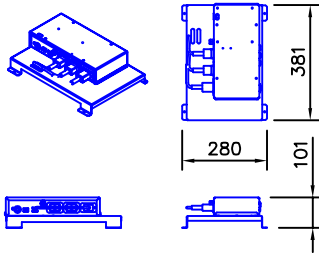


FRONT ELEVATION



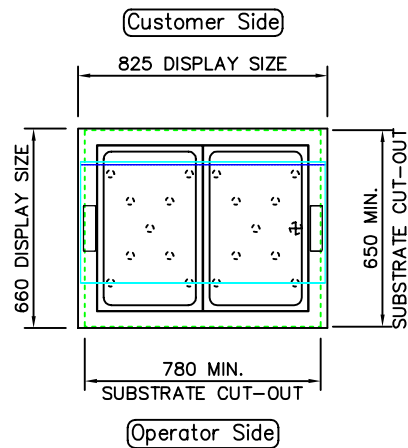
THE AMBIENT TEMPERATURE MUST NOT EXCEED 55°C IN THE VOID AREA INDICATED.



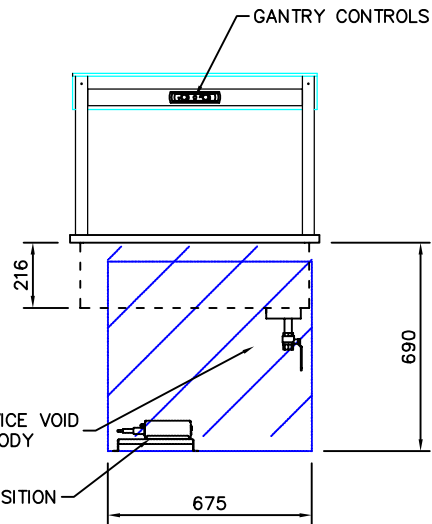
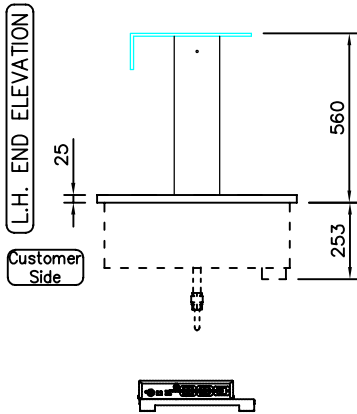
DISPLAY POWER BOARD DETAILS

FOR FURTHER DETAILS PLEASE REFER TO THE HEATED INSTALLATION DETAILS

NOTE:  
IF DISPLAY IS TO BE FLUSH MOUNTED INTO WORKTOP,  
ADD 4 - 6mm TO DISPLAY SIZES FOR WORKTOP CUT-OUT



PLAN VIEW



REAR ELEVATION

PRODUCT RANGE: MANHATTAN  
DESC.: 2-1Gn SELF HELP HEATED WET WELL BAIN MARIE

OPTION:

ID CODE: MHWB2-60

OPTION CODE:

**counterline** 

RANDLES RD, KNOWSLEY BUSINESS PARK, MERSEYSIDE L34 9HZ.

Tel: 0151 548 2211

Fax: 0151 549 2179

ELECTRICAL INFO: 13A, 230V, 2.1KW

WEIGHT: 33Kg

ISSUE: 1



SCALE: 1:25 @ A4