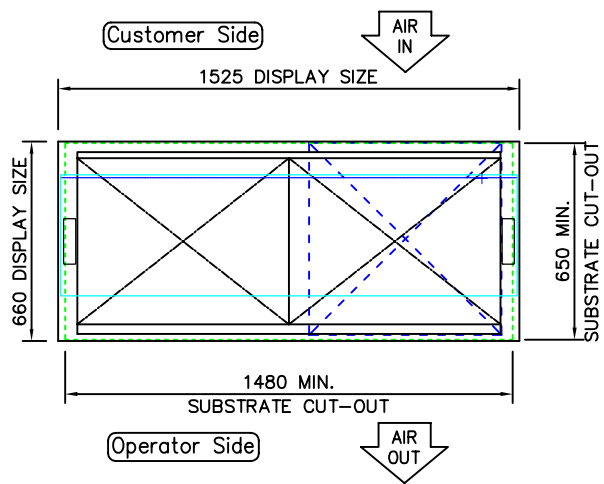
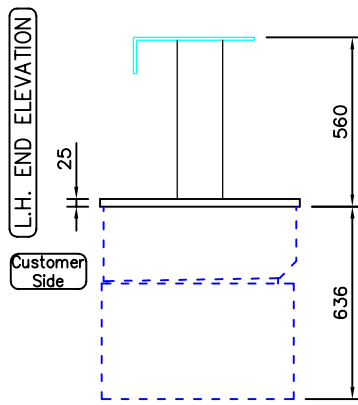


FRONT ELEVATION

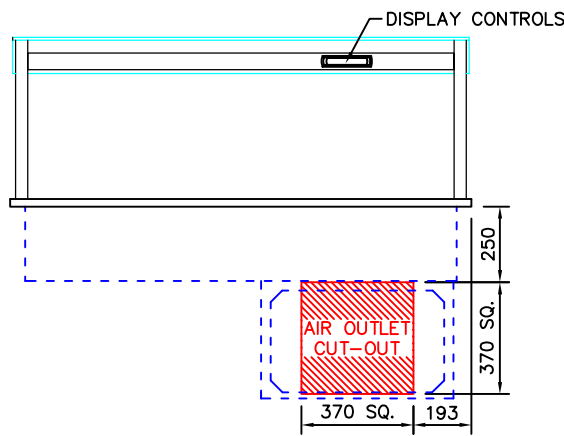


PLAN VIEW

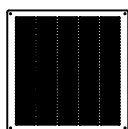
NOTE:
IF DISPLAY IS TO BE FLUSH
MOUNTED INTO WORKTOP,
ADD 4 – 6mm TO DISPLAY
SIZES FOR WORKTOP CUT-OUT



L.H. END ELEVATION



REAR ELEVATION



CUSTOMER & OPERATOR SIDE FASCIA
PANELS MUST BE REMOVABLE FOR
MAINTENANCE ACCESS
SUPPLIED WITH 400mm SQ. STAINLESS
STEEL AIR INLET/OUTLET GRILLES

PRODUCT RANGE: MANHATTAN
DESC.: 4-1Gn SELF HELP COLD WELL

OPTION: INTEGRAL REFRIGERATION

ID CODE: MCW4-GO

OPTION
CODE:

counterline 

RANDLES RD, KNOWSLEY BUSINESS PARK, MERSEYSIDE L34 9HZ.

Tel: 0151 548 2211

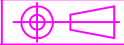
Fax: 0151 549 2179

ELECTRICAL INFO: 13A, 230V, 2.2KW

WEIGHT: 128Kg

ISSUE: 1

1



SCALE: 1: 25 @ A4