

A

B

C

D

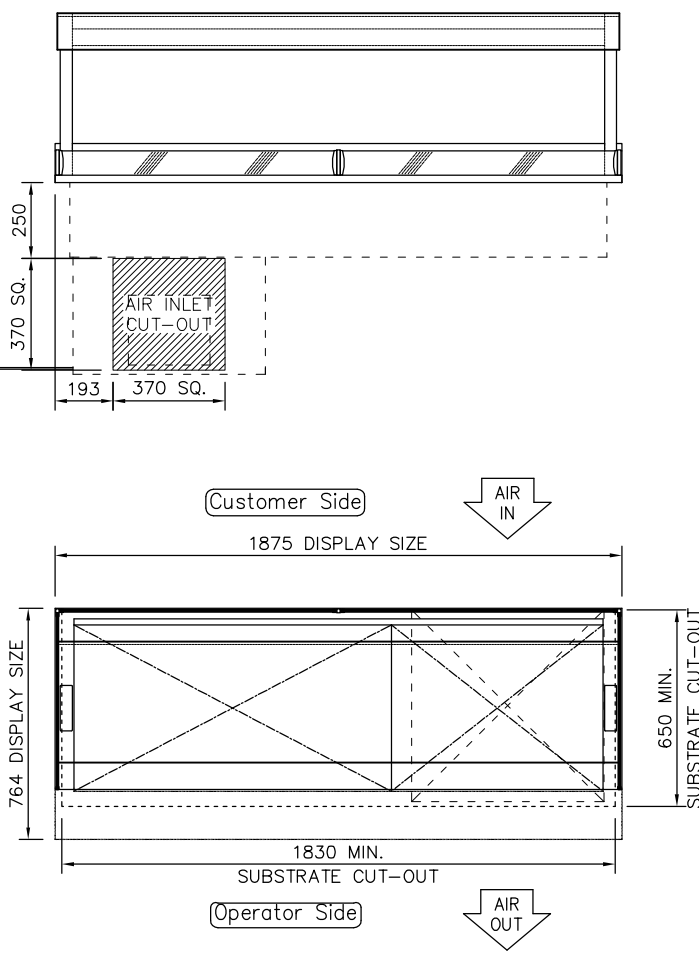
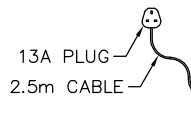
E

F

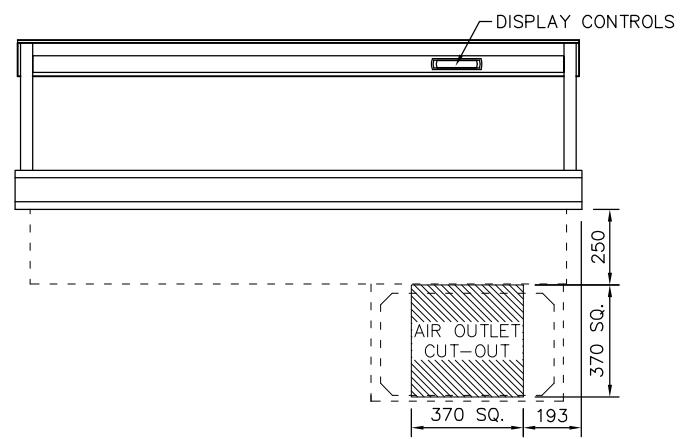
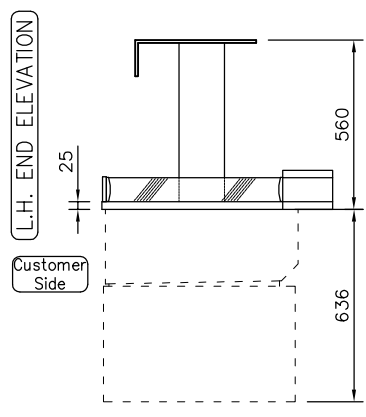
FRONT ELEVATION

PLAN VIEW

REAR ELEVATION



NOTE:
IF DISPLAY IS TO BE FLUSH
MOUNTED INTO WORKTOP,
ADD 4 - 6mm TO DISPLAY
SIZES FOR WORKTOP CUT-OUT



CUSTOMER & OPERATOR SIDE FASCIA
PANELS MUST BE REMOVABLE FOR
MAINTENANCE ACCESS

SUPPLIED WITH 400mm SQ. STAINLESS
STEEL AIR INLET/OUTLET GRILLES

PRODUCT RANGE: MANHATTAN
DESC.: 5-1Gn SELF HELP COLD DECK

OPTION: INTEGRAL REFRIGERATION

ID CODE: MCDK5-GO

OPTION CODE:

counterline

RANGLES RD, KNOWSLEY BUSINESS PARK, MERSEYSIDE L34 9HZ.
Tel: 0151 548 2211 Fax: 0151 549 2179

ELECTRICAL INFO: 13A, 230V, 2.3KW WEIGHT: 180.8Kg

ISSUE: 1 SCALE: 1:25 @ A4