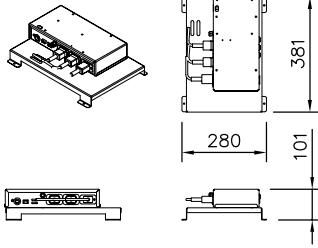
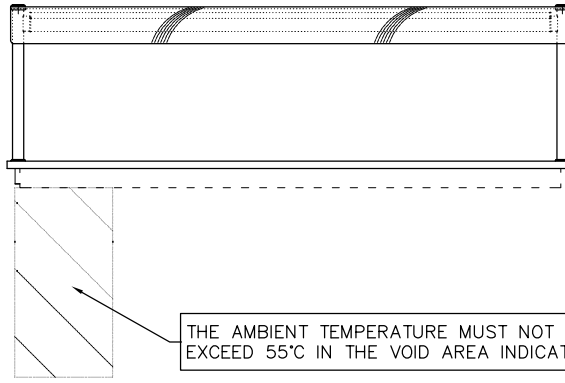


A



DISPLAY POWER BOARD DETAILS

FOR FURTHER DETAILS PLEASE REFER TO THE HEATED INSTALLATION DETAILS

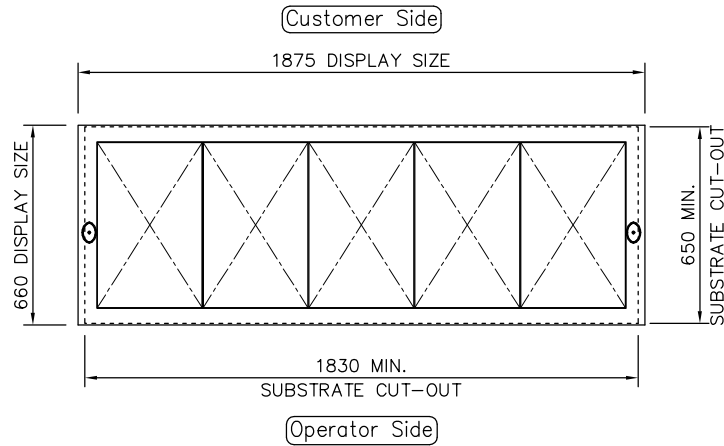


FRONT ELEVATION

THE AMBIENT TEMPERATURE MUST NOT EXCEED 55°C IN THE VOID AREA INDICATED.

B

C



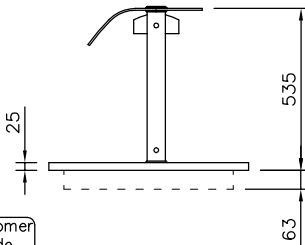
PLAN VIEW

NOTE: IF DISPLAY IS TO BE FLUSH MOUNTED INTO WORKTOP, ADD 4 - 6mm TO DISPLAY SIZES FOR WORKTOP CUT-OUT

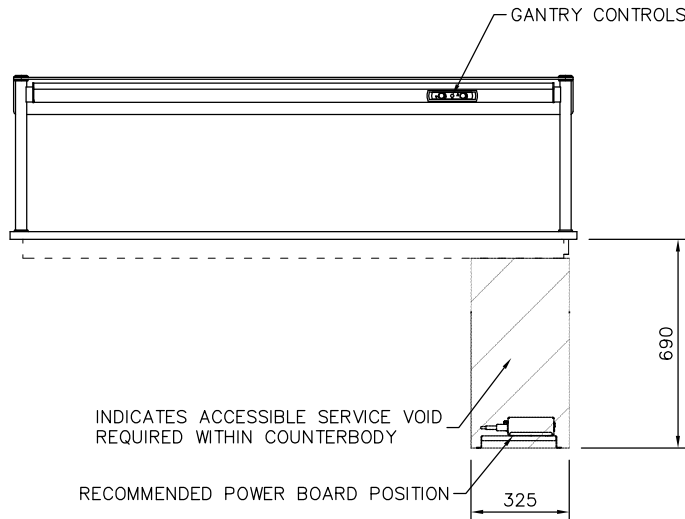
D

L.H. END ELEVATION

Customer Side



REAR ELEVATION



E

F

PRODUCT RANGE: idesign
DESC.: 5-1Gn SELF HELP CERAMIC GLASS HOTPLATE

OPTION:

ID CODE: IHCGH5-GO

OPTION CODE:

counterline



RANDLES RD, KNOWSLEY BUSINESS PARK, MERSEYSIDE L34 9HZ.

Tel: 0151 548 2211

Fax: 0151 549 2179

ELECTRICAL INFO: 13A, 230V, 3.0KW

WEIGHT: 61Kg

ISSUE: 1



SCALE: 1:25 @ A4