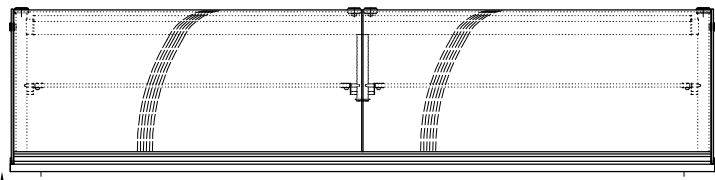
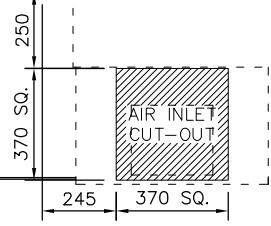
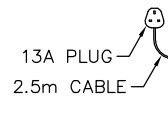


A

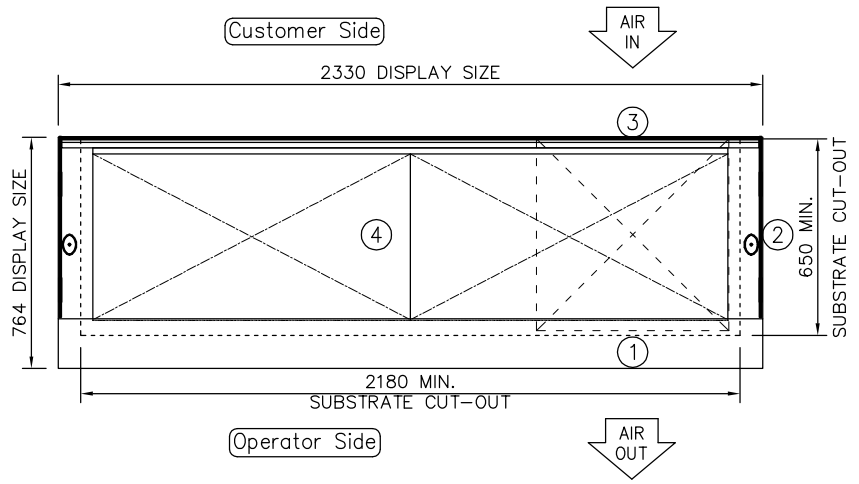


FRONT ELEVATION

B



C

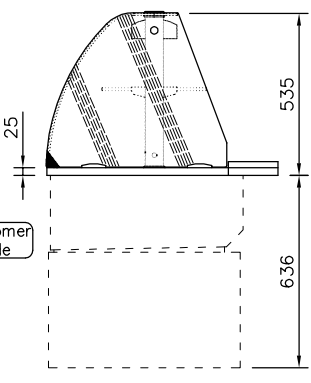


PLAN VIEW

NOTE:  
IF DISPLAY IS TO BE FLUSH  
MOUNTED INTO WORKTOP,  
ADD 4 - 6mm TO DISPLAY  
SIZES FOR WORKTOP CUT-OUT

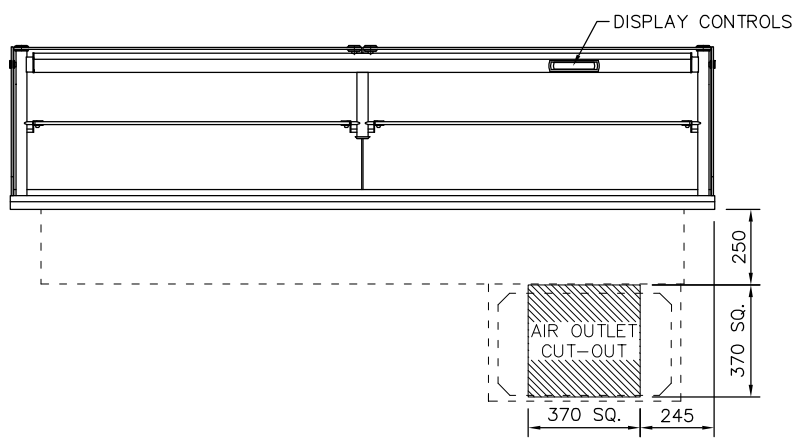
D

L.H. END ELEVATION



Customer Side

E



REAR ELEVATION



CUSTOMER & OPERATOR SIDE FASCIA  
PANELS MUST BE REMOVABLE FOR  
MAINTENANCE ACCESS  
SUPPLIED WITH 400mm SQ. STAINLESS  
STEEL AIR INLET/OUTLET GRILLES

F

PRODUCT RANGE: idesign  
DESC.: 6-1Gn ASSISTED SERVICE COLD  
DELI  
OPTION: INTEGRAL REFRIGERATION (3-1)



RANDES RD, KNOWSLEY BUSINESS PARK, MERSEYSIDE L34 9HZ.  
Tel: 0151 548 2211 Fax: 0151 549 2179

ID CODE: ICDL6-GO  
OPTION CODE:

ELECTRICAL INFO: 13A, 230V, 2.2KW		WEIGHT: 197Kg
ISSUE: 1		SCALE: 1:25 @ A4