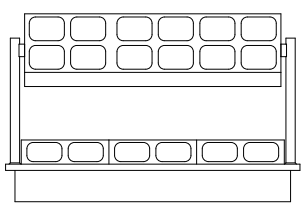
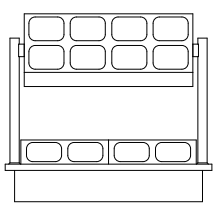


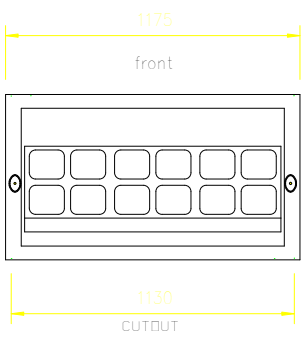
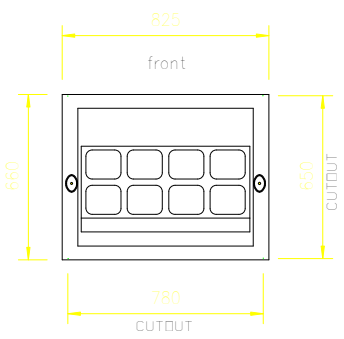
FRONT VIEWS

2-1 Size

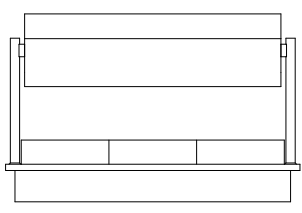
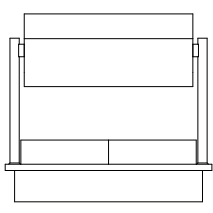
3-1 Size



PLAN VIEWS



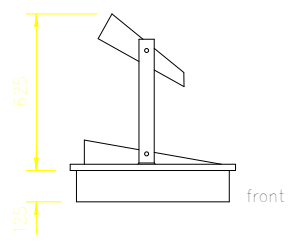
REAR VIEWS



ICCU2

ICCU3

END ELEVATION



iDesign cutlery condiment unit
Comprises:- Inclined low level
1/4 Gastronorm rack with capacity
for 1/6 Gastronorms at high level.

counterline 

Randies Rd, Knowsley business park, Merseyside L34 9HZ.
Tel: 0151 548 2211 Fax: 0151 546 6666

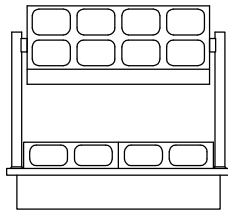
Description: IDESIGN CUTLERY CONDIMENT UNIT

id code: ICCU

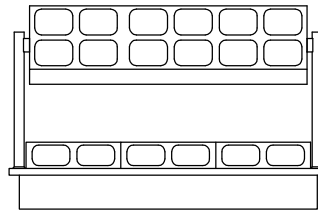
Issue: 1 Scale: 1:20 @A3

FRONT VIEWS

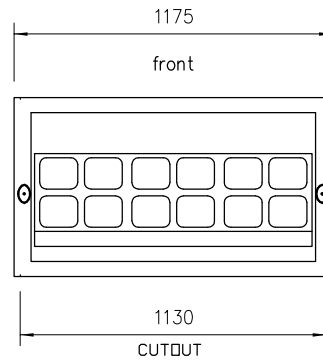
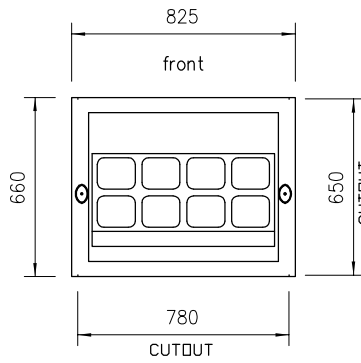
2-1 Size



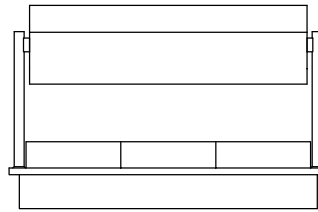
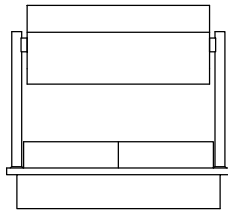
3-1 Size



PLAN VIEWS



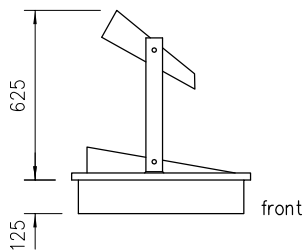
REAR VIEWS




ICCU2

ICCU3

END ELEVATION



iDesign cutlery condiment unit
 Comprises: - Inclined low level
 1/4 Gastronorm rack with capacity
 for 1/6 Gastronorms at high level.

	
Randles Rd, Knowsley business park, Merseyside L34 9HZ. Tel: 0151 548 2211 Fax: 0151 546 6666	
Description: iDESIGN CUTLERY CONDIMENT UNIT	
id code: ICCU	
Issue:	1 Scale: 1:20 @A3