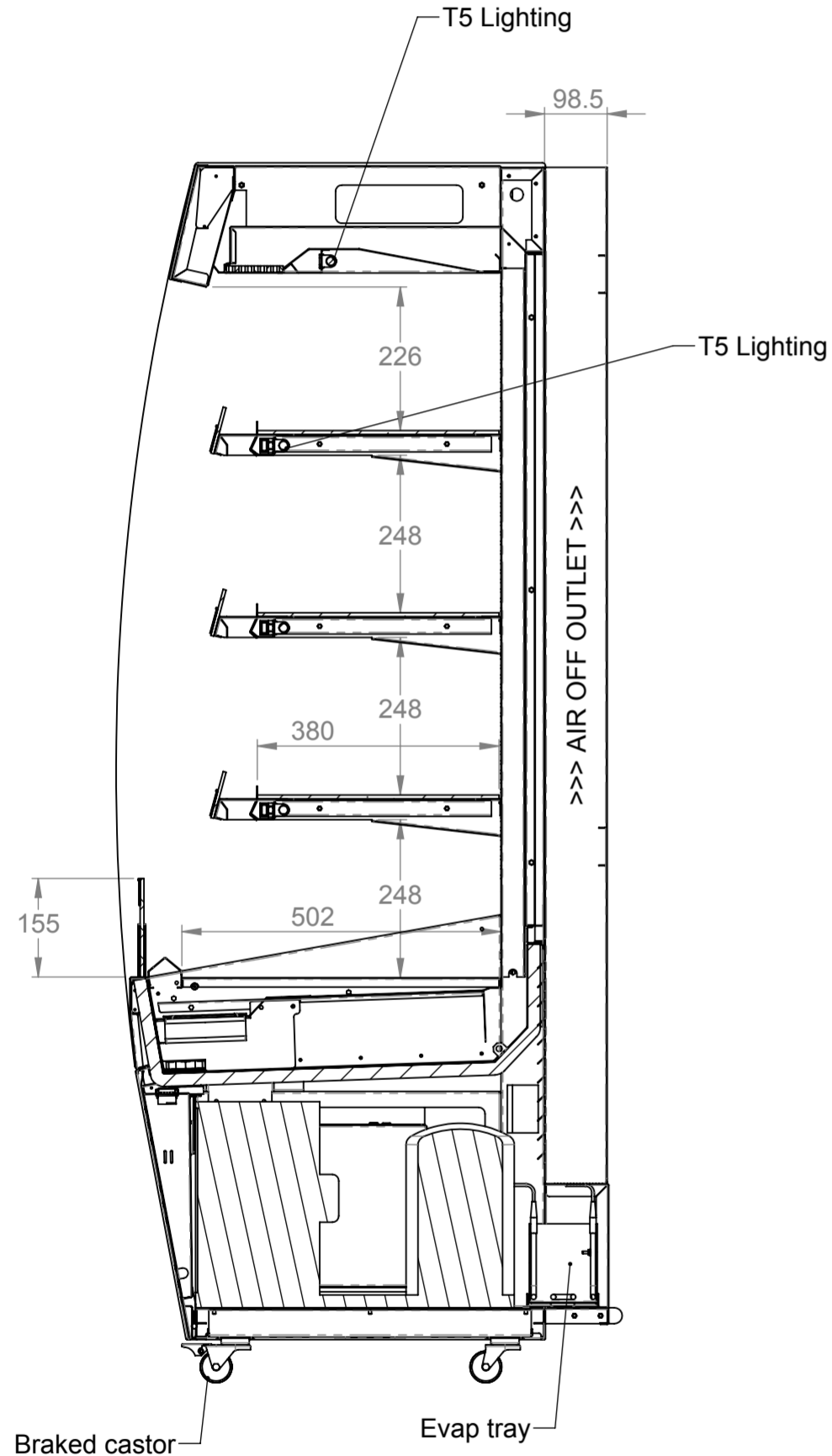
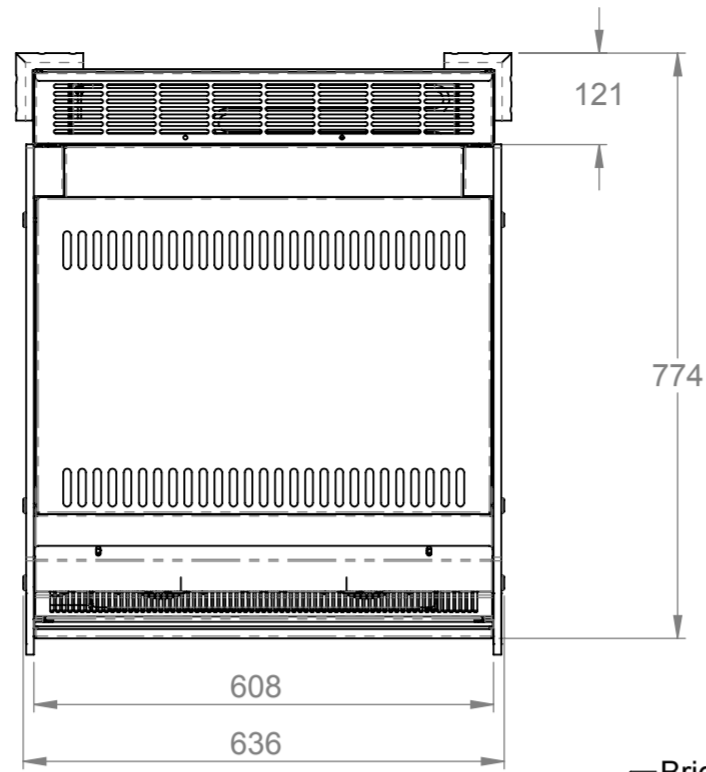
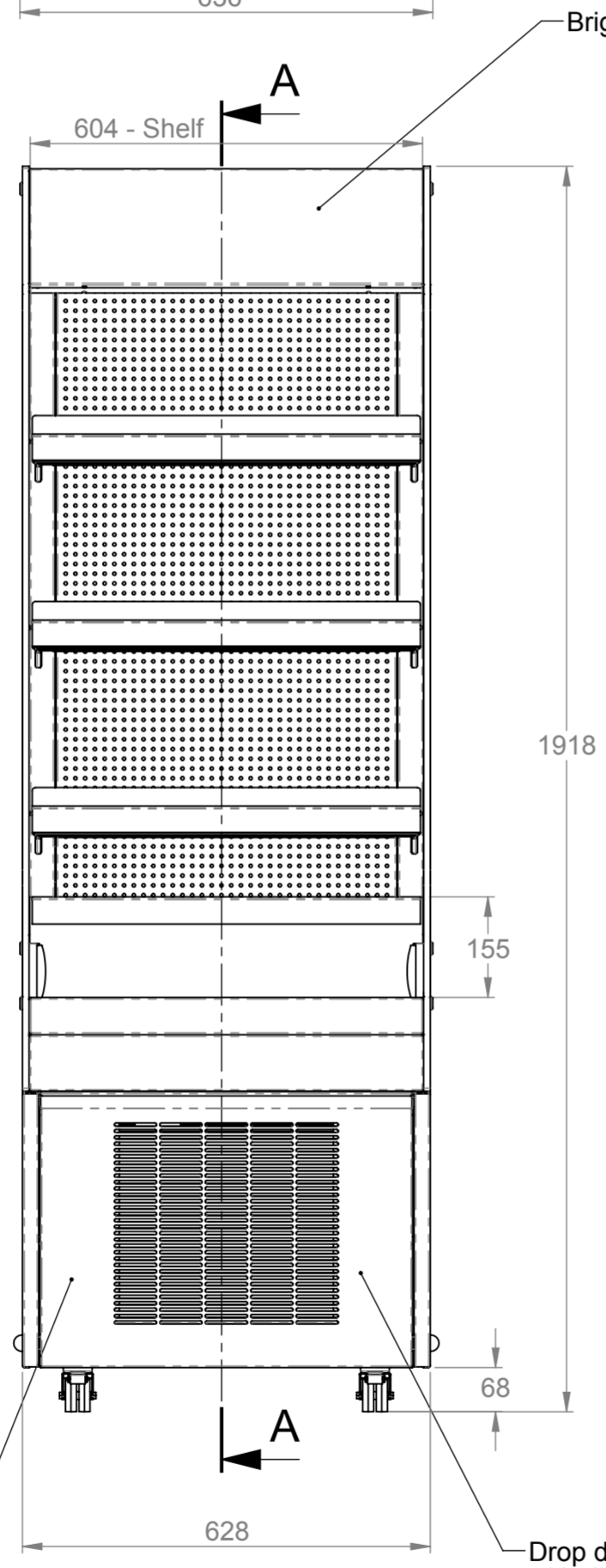


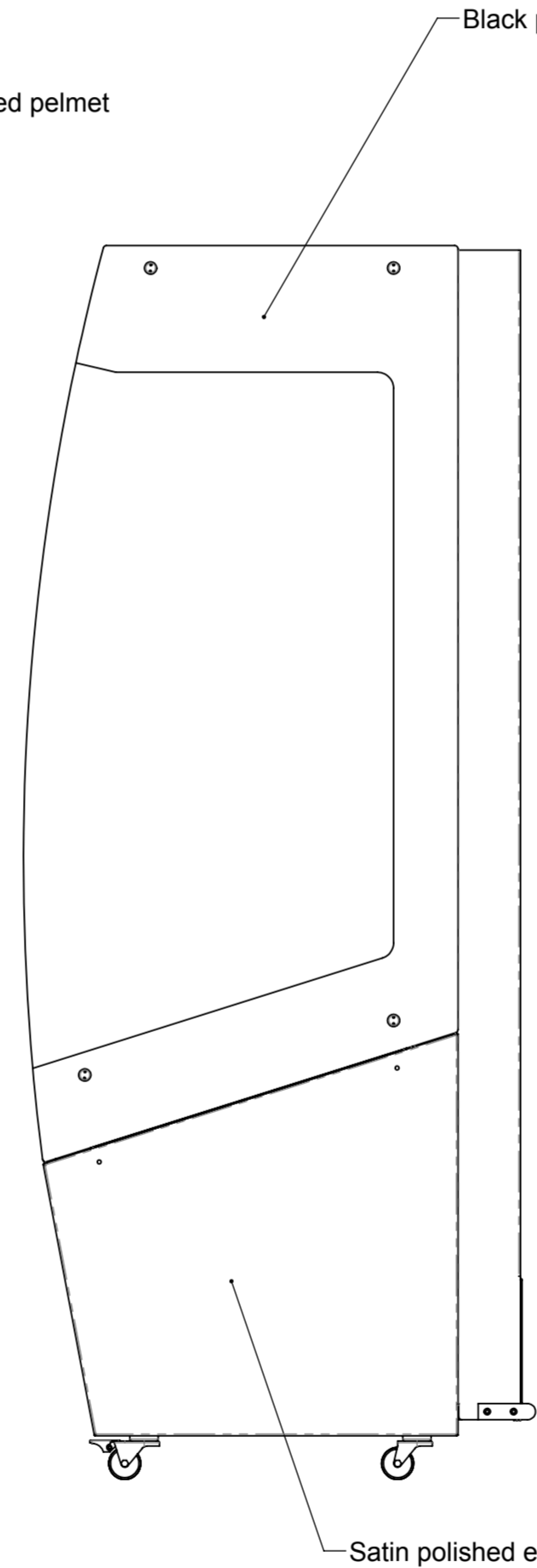
Plan



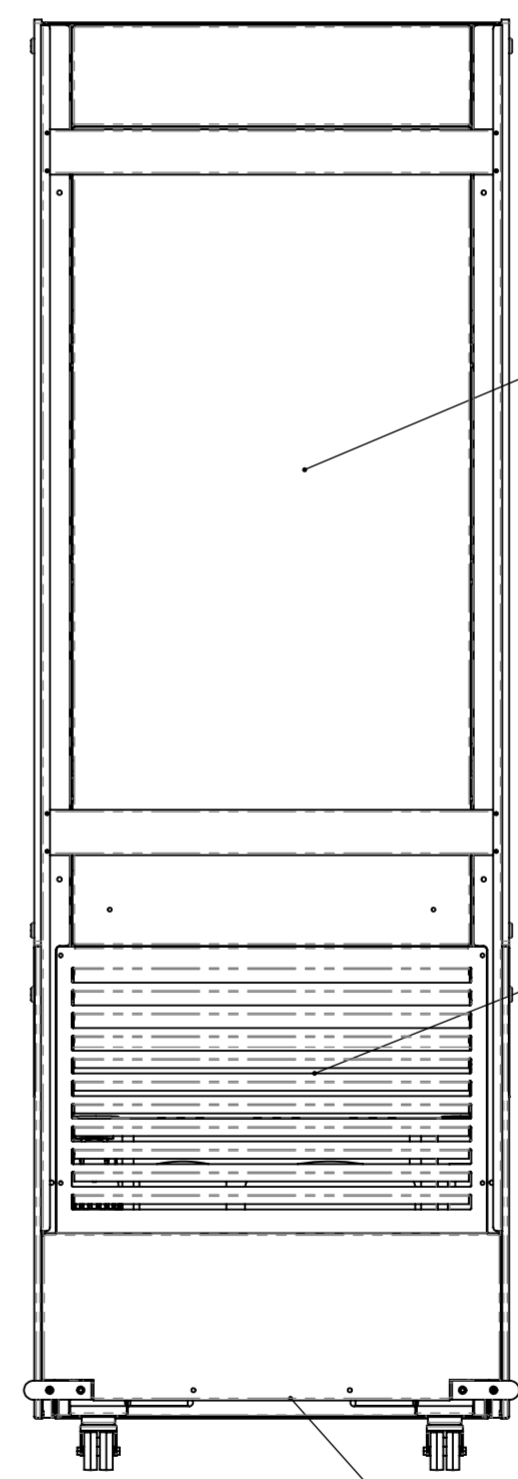
SECTION A-A



Front elevation




End elevation



Rear elevation

Electrical info:- 13 Amp 230V 2.5Kw  
 Display supplied with 13 Amp plugtop on 1500 Long lead  
 Weight - 161Kg Approx

Assembly No - EDC600

Issue	Date	Description
 Randles Rd, Knowsley Business Park, Merseyside L34 9HZ. Tel: 0151 548 2211 Fax: 0151 549 2179		
Title: Experience - Chilled Multi Level 600 - FB		
Drg No :	Issue:	Date: 24/06/2015
<b>15-528--A</b>		Scale: 1:10 @ A2
		Chk'd:
Drn by: G Burgess	All dims in MM	Date: