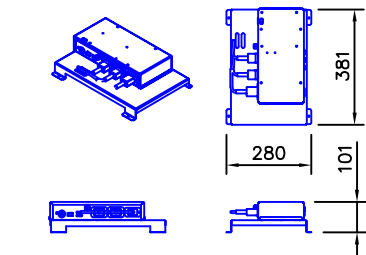


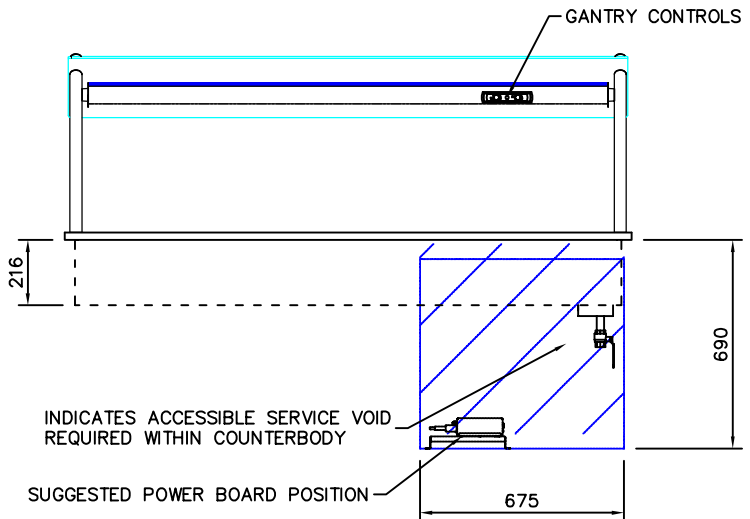
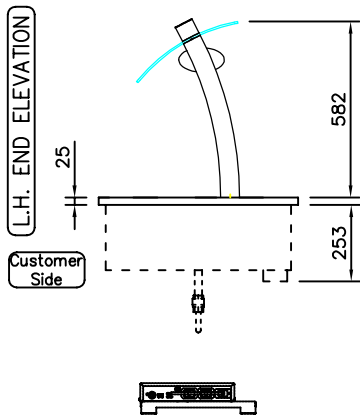
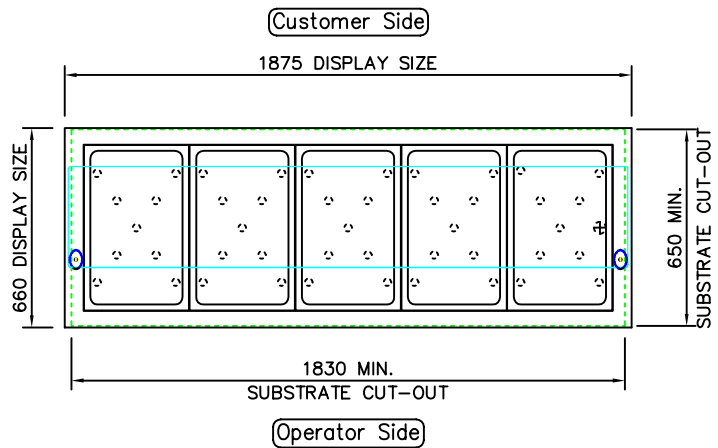
THE AMBIENT TEMPERATURE MUST NOT EXCEED 55°C IN THE VOID AREA INDICATED.



DISPLAY POWER BOARD DETAILS

FOR FURTHER DETAILS PLEASE REFER TO THE HEATED INSTALLATION DETAILS

NOTE:
IF DISPLAY IS TO BE FLUSH MOUNTED INTO WORKTOP, ADD 4 - 6mm TO DISPLAY SIZES FOR WORKTOP CUT-OUT



PRODUCT RANGE: DA VINCI
DESC.: 5-1Gn SELF HELP HEATED WET WELL BAIN MARIE

OPTION:

ID CODE: DHWWBM5-GO

OPTION CODE:

counterline

RANDES RD, KNOWSLEY BUSINESS PARK, MERSEYSIDE L34 9HZ.

Tel: 0151 548 2211

Fax: 0151 549 2179

ELECTRICAL INFO: 32A, 230V, 5.5KW

WEIGHT: 68Kg

ISSUE:

1



SCALE: 1:25 @ A4