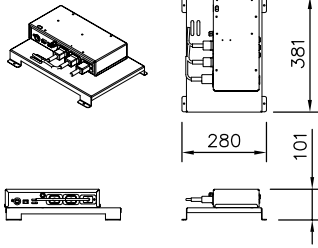


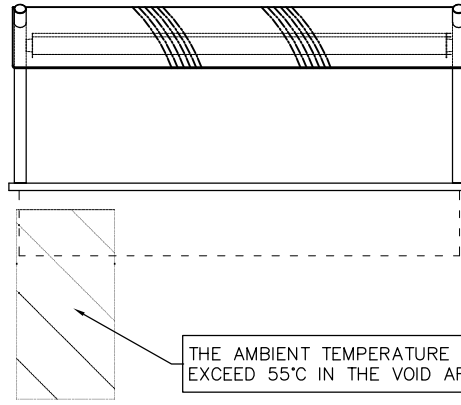
A



DISPLAY POWER BOARD DETAILS

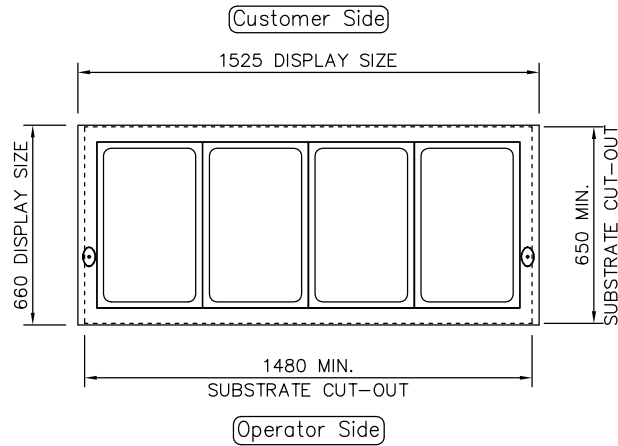
FOR FURTHER DETAILS PLEASE REFER TO THE HEATED INSTALLATION DETAILS

B



FRONT ELEVATION

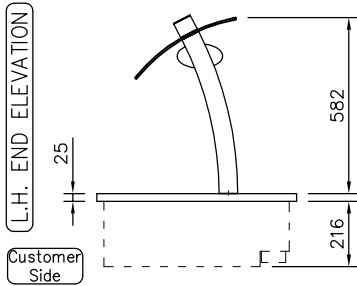
C



PLAN VIEW

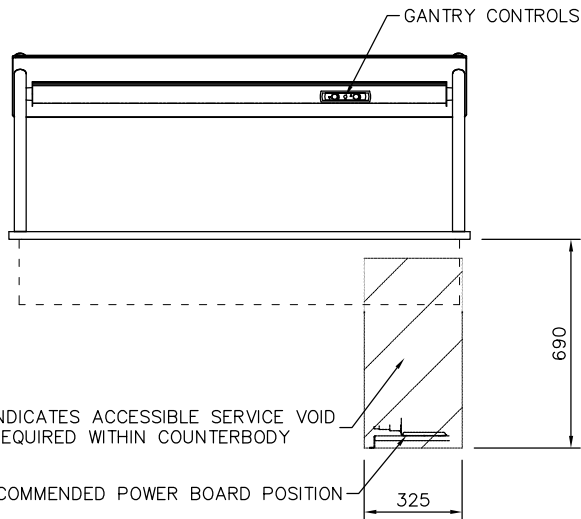
NOTE:  
IF DISPLAY IS TO BE FLUSH MOUNTED INTO WORKTOP,  
ADD 4 - 6mm TO DISPLAY SIZES FOR WORKTOP CUT-OUT

D



L.H. END ELEVATION

Customer Side



REAR ELEVATION

INDICATES ACCESSIBLE SERVICE VOID REQUIRED WITHIN COUNTERBODY

RECOMMENDED POWER BOARD POSITION

E

F

PRODUCT RANGE: DA VINCI  
DESC.: 4-1Gn SELF HELP HOT BAIN MARIE

OPTION:

ID CODE: DHBM4-GO

OPTION CODE:

**counterline** 

RANDLES RD, KNOWSLEY BUSINESS PARK, MERSEYSIDE L34 9HZ.

Tel: 0151 548 2211

Fax: 0151 549 2179

ELECTRICAL INFO: 16A, 230V, 3.2KW

WEIGHT: 51Kg

ISSUE: 1



SCALE: 1:25 @ A4