

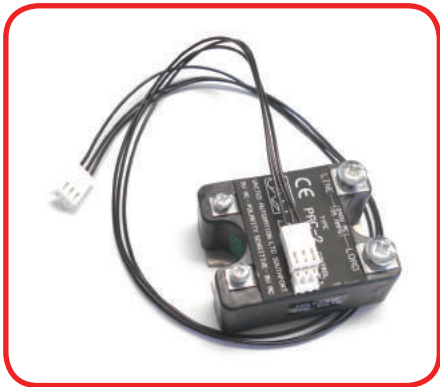


# Spare Parts Manual

## 2014-2015

- ✓ **LOW PRICES**
- ✓ **HUGE STOCK HOLDINGS**
- ✓ **FAST DELIVERY**
- ✓ **TECHNICAL SUPPORT**

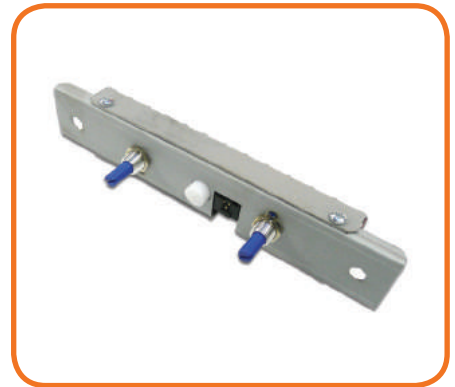
A wide range of Counterline's most common spare parts



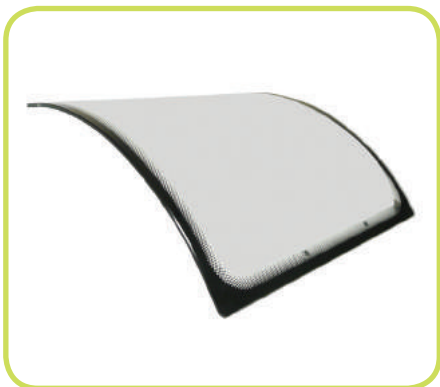
**Electrical Parts**



**Hardware Parts**



**Sub-Assembly Parts**



**Glass Parts**



**Refrigeration Parts**



**Turned Parts**

**Address:** Counterline Ltd, 12 Randles Road, Knowsley Business Park, Merseyside, L34 9HZ

**Telephone:** +44 (0)151 548 2211

**Fax:** +44 (0)151 549 2179

**Service Enquiries:** [servicelog@counterline.co.uk](mailto:servicelog@counterline.co.uk)

**Spare Parts Enquiries:** [spareparts@counterline.co.uk](mailto:spareparts@counterline.co.uk)

**General Enquiries:** [enquiries@counterline.co.uk](mailto:enquiries@counterline.co.uk)

**Website:** [www.counterline.co.uk](http://www.counterline.co.uk)

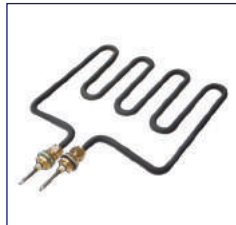
# Spare Parts Manual 2014-2015

## About This Spare Parts Manual

We have produced this spare parts manual to make it easier for our service team, customers and engineers to quickly identify a spare part needed.

The manual is divided up into categories, which include electrical parts, hardware, sub-assembly, turned parts, glass and refrigeration, allowing you to quickly navigate to the spare part you require. Once you have identified the spare parts you need, please fill in the order form at the back of this manual or contact our service department. Please note all fragile parts (glass etc) will need to be boxed up for safety reasons- Please see page 18.

**Office Opening Hours: Monday to Thursday- 8:30am-5:00pm. Friday- 8:30am- 4:30pm**



## Huge Stock Holdings

We stock a huge range of spare parts in our dedicated spares warehouse. We have thousands of parts for off the shelf delivery

Our trained staff are constantly monitoring and adjusting stock levels to meet the demands of our customers.



## Fast Delivery

We aim to deliver all spare parts orders placed before 2pm the next working day (UK mainland). We can also arrange special deliveries at an additional cost. None UK orders are on a 3-5 day lead time.

## Nationwide Engineers

Counterline offers a nationwide service of fully qualified engineers, who all have an extensive range of spare parts in their vehicles.

## Technical Support

With over 30 years of industry experience, our dedicated technical department are on hand to assist you with any technical support you may require with your spare parts.

	Page Number
<b>Electrical Parts-</b> Elements, Thermostats, Switches, Lamps etc...	<b>03-06</b>
<b>Hardware Parts-</b> Hinges, Containers, Springs, Door Runners etc...	<b>07-10</b>
<b>Sub-Assembly Parts-</b> Evaporator Trays, Perspex, Adhesive etc...	<b>11-12</b>
<b>Glass Parts-</b> Glass Ceran, Deli Glass, Island Glass, Sneeze Screens etc...	<b>13-14</b>
<b>Refrigeration Parts-</b> Compressors, Condensers, Evap Coils, Grilles etc...	<b>15-16</b>
<b>Turned Parts-</b> Fixings, Allen Keys, Shelf Brackets, Support Posts, Caps etc...	<b>17</b>
Packaging and Delivery of Spare Parts	<b>18</b>

## How To Order Spare Parts

Counterline's service team will process and send out spare parts that you may require. You can order spare parts by either telephone, fax, email or by completing our order form (page 18) and sending to us by post.



### Order Form

Complete the **Order Form** at the back of this manual. Send to us by post, fax or email.



### Fax

Fax your spare parts order form to our service department: **0151 549 2179**



### Telephone

Telephone our service department on **0151 548 2211**



### Email

Email us your spare parts order form to **spareparts@counterline.co.uk**

Please note that our office opening hours are: Monday to Thursday- 8:30am-5:00pm. Friday 8:30am-4:30pm



Please note that this manual shows a condensed selection of frequently ordered spare parts. We do however stock hundreds of parts that are not shown in this manual.

If the part you are looking for is not listed in this manual, please call our spare parts department on **0151 548 2211** or email us at **spareparts@counterline.co.uk**

## Terms & Conditions/ Warranty

Please refer to our terms and conditions by requesting a copy or by visiting our website- [www.counterline.co.uk](http://www.counterline.co.uk)

Please note that there is a minimum order value of £10 for every spare part priced under £10.

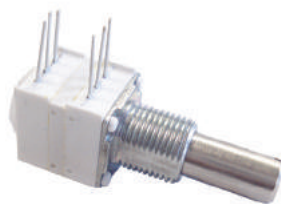
01



**PART CODE: EL035351**  
Mini Relay 240

£6.60

02



**PART CODE: EL035410**  
Potentiometer 5k

£24.00

03



**PART CODE: EL051010**  
Stick On Foil Element-Small

£9.15

04



**PART CODE: EL051020**  
Stick On Foil Element- Large

£10.10

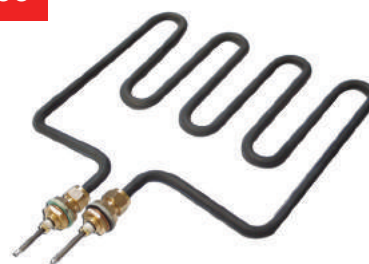
05



**PART CODE: EL051111**  
Element 500W Rod 245 x 300mm

£38.25

06



**PART CODE: EL051112**  
Element 750W ROD 245 x 300mm

£48.25

07



**PART CODE: EL051139**  
Element 1200W Rod 200 Dia H/C

£44.22

08



**PART CODE: EL051141**  
Element 2500W Rod 200 Dia H/C

£39.15

09



**PART CODE: EL051153**  
2.5 Element New

£39.15

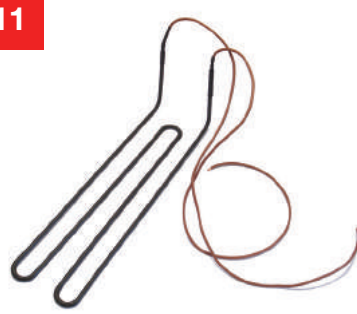
10



**PART CODE: EL052105**  
Element 300W 240V 8.5 55

£44.00

11



**PART CODE: EL052115**  
Element 300W Rod 630 x 100mm

£27.45

12



**PART CODE: EL052119**  
Element 500W Rod 630 x 100mm

£38.16

**13**



**PART CODE: EL051141**  
Element 2500 ROD H/C 3 Ring Mod

**£39.15**

**14**



**PART CODE: EL061171**  
Fuse Holder Panel

**£7.23**

**15**



**PART CODE: EL064301**  
Firing Module Pac 2

**£90.00**

**16**



**PART CODE: EL065180**  
Reg Dimmer RFI

**£63.00**

**17**



**PART CODE: EL065240**  
Reg Simmerstat 50

**£13.10**

**18**



**PART CODE: EL065266**  
Thermostat SWT 30-110

**£38.88**

**19**



**PART CODE: EL065269**  
Thermostat 3M Capp 50-260C

**£40.59**

**20**



**PART CODE: EL065275**  
Knob Black Reg EDH 46 Simmerstat

**£4.50**

**21**



**PART CODE: EL065315**  
Switch 120C BI MTL

**£12.15**

**22**



**PART CODE: EL068076**  
Temp Cont Cold Defrost 230v Lcd

**£57.00**

**23**



**PART CODE: EL068087**  
Temp Cont LEA ACI-SVSTRW-A

**£101.85**

**24**



**PART CODE: EL069040**  
SNK2 Probes

**£13.29**

25



**PART CODE: EL071127**  
Flu Choke T113 Match Box

£20.25

26



**PART CODE: EL035300**  
Contactor 20 A 2P

£28.41

27



**PART CODE: EL071145**  
Flu Choke 4 Foot

£7.95

28



**PART CODE: EL071153**  
Lamp T5 12" Coversafe

£7.20

29



**PART CODE: EL071159**  
Lamp T5 21" Coversafe

£8.85

30



**PART CODE: EL071182**  
Lamp Flu Slim 18" Coversafe

£7.47

31



**PART CODE: EL071183**  
Lamp Flu Slim 2' Coversafe

£6.90

32



**PART CODE: EL071184**  
Lamp Flu Slim 3' Coversafe

£9.75

33



**PART CODE: EL071189**  
Lamp Flu Slim 3' 6" Coversafe

£7.77

34



**PART CODE: EL071220**  
Lamp 300W Quartz 13908r

£4.98

35



**PART CODE: EL071222**  
Lamp 300w Quartz Jacketed

£21.99

36



**PART CODE: EL071349**  
Lampholder Snap In G5 Base

£3.29

37



**PART CODE: EL071353**

Lampholder Snap In

£3.40

38



**PART CODE: EL071354**

Lampholder Snap In T8/Tart/H

£3.60

39



**PART CODE: EL071360**

Lampholder 300W

£6.03

40



**PART CODE: EL071362**

Reflector

£8.70

41



**PART CODE: EL071471**

Starter 4-65 PGSU

£1.08

42



**PART CODE: EL071473**

Starter 110V

£3.00

43



**PART CODE: EL091050**

FAN - 92 x 92 x 25mm

£19.18

44



**PART CODE: EL091056**

H/C Fan Motor

£65.82

45



**PART CODE: EL091541**

Neon Red

£5.75

46



**PART CODE: EL091544**

BPO Timer

£34.50

47



**PART CODE: EL091565**

Switch Integra 16A

£5.74

48



**PART CODE: EL091566**

Switch Integra 16A Flush

£5.74



01



**PART CODE: HW008121**  
Catch Counterpiece

£1.65

02



**PART CODE: HW008111**  
Catch Magnetic 15kg

£3.42

03



**PART CODE: HW011532**  
Tong Holder

£1.18

04



**PART CODE: HW012001**  
Sliding Door Rollers

£10.50

05



**PART CODE: HW012017**  
Door Track Top Extr

£21.00  
MTR

06



**PART CODE: HW012021**  
Door Runner Front

£6.20

07



**PART CODE: HW012022**  
Door Runner Rear

£6.20

08



**PART CODE: HW015187**  
Container 1/3 100

£20.61

09



**PART CODE: HW015192**  
Container 1/6 100

£25.45

10



**PART CODE: HW015337**  
Container- Stainless Steel With Lid

£65.85

11



**PART CODE: HW017355**  
Ducking PVC 355 DIA

£26.16  
MTR

12



**PART CODE: HW021020**  
Foot Screw in Size 2

£1.20

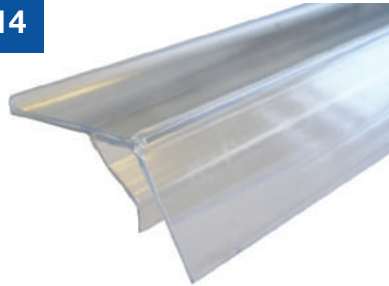
13



**PART CODE: HW021050**  
Foot Adjust ZZS39611Z10Y02

£6.20

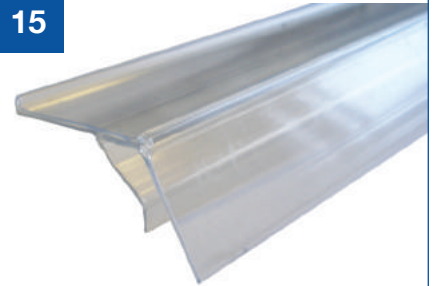
14



**PART CODE: HW023281**  
Ticket Strip Clear 840mm Clip

£3.66

15



**PART CODE: HW023294**  
Ticket Strip Clear 1360mm Clip

£4.71

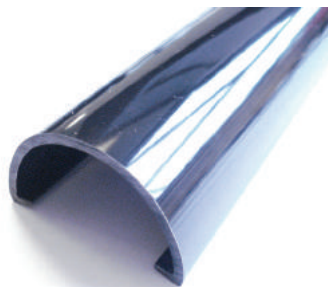
16



**PART CODE: HW024015**  
Gasket MG1 Section 1060mm

£11.07

17



**PART CODE: HW024065**  
Bumper Rail Black 585mm

£6.27

18



**PART CODE: HW030146**  
Screw Hinge Flap

£1.00

19



**PART CODE: HW030147**  
Hinge Glass Flap

£2.73

20



**PART CODE: HW030150**  
Hinge Spring Return (Cartridge)

£15.87

21



**PART CODE: HW030172**  
Hinge - R42 2842

£13.56

22



**PART CODE: HW030177**  
Flap Friction Hinge

£7.71

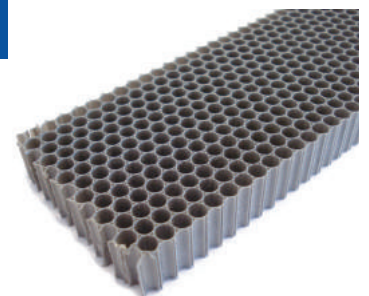
23



**PART CODE: HW031121**  
Hinge Black

£18.33

24



**PART CODE: HW032221**  
Honeycomb PH0753 770 x 42 x 10mm

£8.90

25



**PART CODE: HW049033**  
Moulding Oval Black

£2.04

26



**PART CODE: HW049043**  
Moulding Knob Small Fitting

£4.10

27



**PART CODE: HW049045**  
Moulding Knob Large Fitting

£4.10

28



**PART CODE: HW049053**  
Moulding Glass Holder

£2.50

29



**PART CODE: HW049073**  
Moulding Shelf Mounting Adaptor

£3.00

30



**PART CODE: HW049090**  
Door Knob

£2.11

31



**PART CODE: HW072522**  
Bracket Deck Plate

£1.20

32



**PART CODE: HW072821**  
Spring Stainless Steel 130mm Lg 1.2

£7.60

33



**PART CODE: HW072825**  
Spring Stainless Steel 11.3mm

£7.60

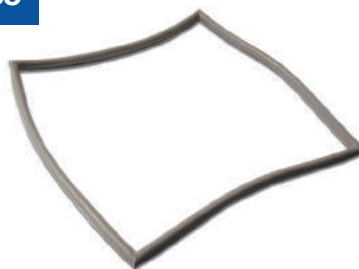
34



**PART CODE: HW072826**  
Spring - Specification 2 1.6mm

£7.60

35



**PART CODE: HW100020**  
Door Gasket 390 x 436

£37.15

36



**PART CODE: HW100022**  
Door Gasket 565 x 436mm

£40.30

37



**PART CODE: HW100065**  
10M Glass Moulding

£7.59

38



**PART CODE: HW100066**  
Glass Flap Pivot Clamp Top

£9.24

39



**PART CODE: HW100067**  
Glass Flap Pivot Clamp Bottom

£7.74

40



**PART CODE: HW100068**  
BPO Door Gasket

£39.00

41



**PART CODE: HW100069**  
BPO Nylon Bush

£3.50

42



**PART CODE: HW100071**  
BPO Gas Ram Top Glass

£26.85

43



**PART CODE: HW100072**  
BPO Gas Ram BTM Door

£27.30

44



**PART CODE: HW100073**  
BPO Handle

£6.33

45



**PART CODE: HW100074**  
Handle - 96 mm Centres

£4.56

46



**PART CODE: HW024068**  
Bumper End Cap - Black 50m

£4.68

47



**PART CODE: HW024069**  
Bumper Rail Quick Stop End Cap

£5.25

48



**PART CODE: HW049092**  
Aluminium Knob

£5.82

01



**PART CODE: IEVAP3**  
Evaporator Tray 500W

£75.42

02



**PART CODE: SA000635**  
Hot PCB Small

£216.87

03



**PART CODE: ELO68111**  
Control Terminal

£36.00

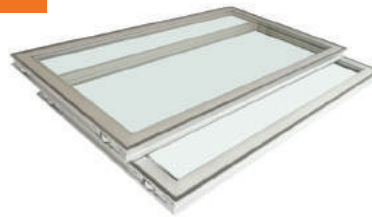
04



**PART CODE: SA000649**  
Cont Unit Twin Pot

£37.50

05

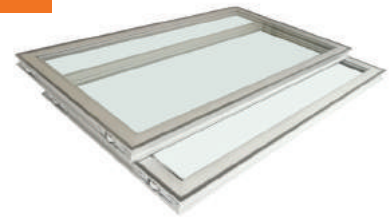


All glass must be boxed in MDF for safety reasons.  
See page p18 for more details.

**PART CODE: HW012090**  
900 Sliding Door (Price Per Door)

£117.00

06



All glass must be boxed in MDF for safety reasons.  
See page p18 for more details.

**PART CODE: HW012092**  
1200 Sliding Door (Price Per Door)

£135.00

07



**PART CODE: HW012091**  
900 Frame

£70.00

08



**PART CODE: HW012093**  
1200 Frame

£85.00

09



**PART CODE: SF015087**  
Adhesive Sil Black 1200

£6.30

**10**



**PART CODE: SF080450**  
End Panel L/H STD **£56.61**

**11**



**PART CODE: SF080451**  
End Panel R/H STD **£56.61**

**12**



**PART CODE: SF080427**  
Perspex Front Flap **£14.40**

**13**



**PART CODE: SF080219**  
Perspex Air Retaining VOC600 **£18.75**

**14**



**PART CODE: SF080217**  
Perspex Air Retaining VOC900 **£30.54**

**15**



**PART CODE: SF080218**  
Perspex Air Retaining VOC1200 **£39.21**

**16**



**PART CODE: SF080200**  
Perspex Hand Guard Shelf 1200 **£33.60**

**17**



**PART CODE: SF080203**  
Perspex Hand Guard Shelf 900 **£31.86**

**18**



**PART CODE: SF080441**  
Vision CT 580 Front Flap **£23.88**

**19**



**PART CODE: SF080201**  
Perspex Hand Guard Base 1200 **£33.60**

**20**



**PART CODE: SF080204**  
Perspex Hand Guard Base 900 **£31.86**

**21**



**PART CODE: SF080470**  
Rear Door 600 Display **£33.27**

**01**



**PART CODE: GL077285**  
Glass Sneeze 381 x 1850 x 6mm

**£198.09**

**02**



**PART CODE: GL077150**  
Glass Sneeze 381 x 1500 x 6mm

**£179.82**

**03**



**PART CODE: GL077080**  
Glass Sneeze 381 x 800mm

**£161.73**

**04**



**PART CODE: GL077109**  
Glass Sneeze 381 x 1098mm

**£320.00**

**05**



**PART CODE: GL077115**  
Glass Sneeze 381 x 1150mm

**£180.00**

**06**



**PART CODE: GL076000**  
BPO 487 x 481.5mm

**£210.00**

**07**



**PART CODE: GL079534**  
Vision 600 Front Glass

**£195.69**

**08**



**PART CODE: GL079545**  
Vision 900 Front Glass

**£196.89**

**09**



**PART CODE: GL079551**  
Vision 1200 Front Glass

**£249.30**

**10**



**PART CODE: GL078080**  
Glass Deli 877 x 800 x 6mm

**£195.69**


**11**



**PART CODE: GL078115**  
Glass Deli 877 x 1150 x 6mm

**£230.00**

**12**



**PART CODE: GL078150**  
Glass Deli 877 x 1500 x 6mm

**£260.45**

**13**



**PART CODE: GL079211**  
Integ Glass Island 541 x 1150 x 6mm

**£213.90**

**14**



**PART CODE: GL079215**  
Integ Glass Island 540 x 1500 x 6mm

**£240.00**

**15**



**PART CODE: GL079280**  
Integ Glass Island 541 x 800 x 6mm

**£606.00**

**16**



**PART CODE: GL074115**  
DV Glass 3-1 Display 1150 x 393mm

**£159.99**


**17**



**PART CODE: GL074150**  
DV Glass 4-1 Display 1500 x 393mm

**£185.88**


**18**



**PART CODE: GL074185**  
DV Glass 5-1 Display 1850 x 393mm

**£204.48**

**19**



**PART CODE: GL074080**  
Manhattan Glass 800 x 400 x 10mm

**£153.61**

**20**



**PART CODE: GL100100**  
Manhattan Glass 800 x 400 x 10mm

**£161.13**

**21**



**PART CODE: GL100101**  
Manhattan Glass 1150 x 400 x 10mm

**£206.34**

**22**



**PART CODE: GL100102**  
Manhattan Glass 1500 x 400 x 10mm

**£250.44**

**23**



**PART CODE: GL017031**  
Glass Ceran 546 x 347 x 4mm

**£79.96**

**24**



**PART CODE: GL017025**  
Cut-down Ceran 531 x 333 x 4mm

**£76.20**



01



**PART CODE: RF064362**  
CML90 TB3N

£481.02

02



**PART CODE: RF064355**  
CMX21+ Dressing kit

£707.43

03



**PART CODE: RF064313**  
CMP12 TB3N

£584.04

04



**PART CODE: RF064320**  
CMX18 TB3N

£548.28

05



**PART CODE: RF064330**  
CML45 TB3N

£330.84

06



**PART CODE: RF064335**  
CML60 TB3N

£424.02

07



**PART CODE: ELECBOX**  
CMX21

£106.56

08



**PART CODE: RF072111**  
ML90

£252.84

09



**PART CODE: RF072115**  
MX21TB

£381.00

10



**PART CODE: RF011611**  
Sight Glass 3/8 Sol Fit

£18.21

11



**PART CODE: RF037210**  
Drier 3/8 Sol Fit

£18.21

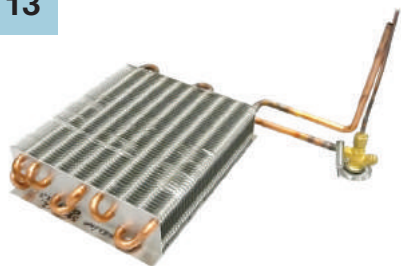
12



**PART CODE: RF064366**  
STVF278

£569.34

13

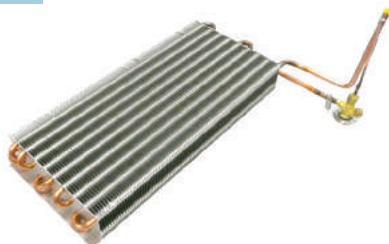


**PART CODE: SA002930**

Vision 600 Evap Coil

£168.00

14



**PART CODE: SA002932**

Vision 900 Evap Coil

15



**PART CODE: SA002934**

Vision 1200 Evap Coil

£261.00

16

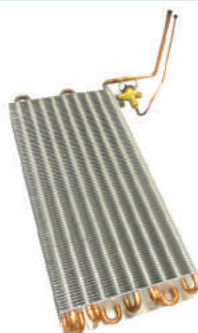


**PART CODE: SA002900**

Evap Coil standard 2/1

£174.00

17



**PART CODE: SA002905**

Evap Coil standard 3/1

£273.00

18



**PART CODE: SA002910**

Evap Coil standard 4/1

£318.00

19

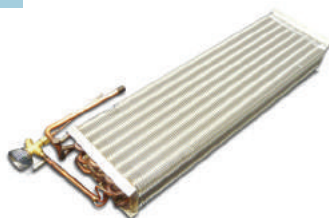


**PART CODE: SA002915**

Evap Coil standard 5/1

£420.00

20

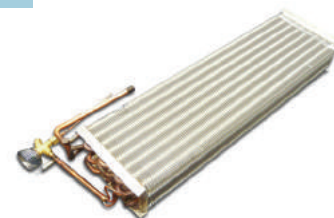


**PART CODE: SA002952**

Evap Coil High Cap 1.2

£485.34

21



**PART CODE: SA002954**

Evap Coil High Cap 1.5

£442.53

22



**PART CODE: SA002950**

Evap Coil High Cap 1.0

£320.00

23



**PART CODE: MI001272**

Grille Air Inlet/ Outlet

£22.00

24



**PART CODE: RF020389**

Switch H/P Manual

£21.03

# Turned Parts

01



**PART CODE: TP001103**  
Glass Locating Cap

£15.00

02



**PART CODE: TP038277**  
Locating Studs

£11.00

03



**PART CODE: TP058204**  
End Glass Support Post

£16.56

04



**PART CODE: TP100005**  
Cover Fixing Lower Grid

£8.60

05



**PART CODE: TP100006**  
Cover support lower heat pad

£7.20

06



**PART CODE: TP100021**  
Hot Plate Locator

£6.40

07



**PART CODE: CM061160**  
Allen Key - 3.0mm

£1.50

08



**PART CODE: CM061162**  
4mm Allen Key

£1.50

09



**PART CODE: TP001631**  
Top Pivot Pin

£4.00

10



**PART CODE: TP001632**  
Door Hinge Plate

£3.90

11



**PART CODE: TP001514**  
End Plate Canopy

£14.10

12



**PART CODE: TP001515**  
Shelf Bracket

£17.00

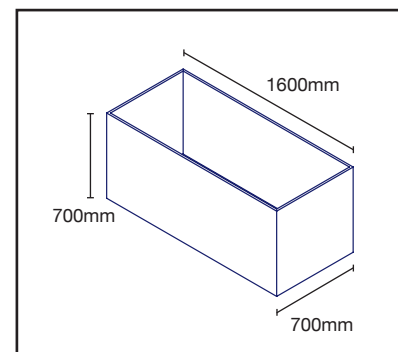
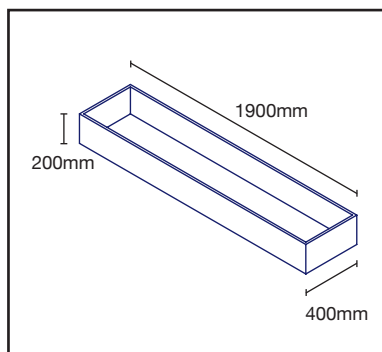
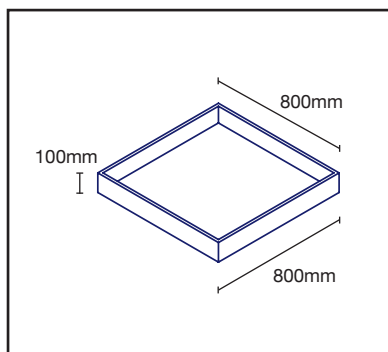
## Delivery

- The price for delivering spare parts weighing between 1kg and 20kg is £15.
- Spare parts weighing above 20kg will need to be packaged inside MDF packaging crates before delivery.
- Please refer to standard MDF crate sizes and prices below.

	<p>For safety reasons we advise all customers to order MDF packaging crates to avoid damage to glass, evap coils, compressors and condensers during delivery.</p>
---	---

## Standard MDF Packaging Crate Sizes

- The size of the MDF packaging crate you order will depend on the overall dimensions of the spare part/s.
- We offer three standard MDF packaging crate sizes that accommodate our full range of spare parts.



CRATE SIZE 1	
<b>Dimensions (mm)</b>	800w x 800d x 100h
<b>Prices (£)</b>	Ranging from £35 to £50

CRATE SIZE 2	
<b>Dimensions (mm)</b>	1900w x 400d x 200h
<b>Prices (£)</b>	Ranging from £50 to £85

CRATE SIZE 3	
<b>Dimensions (mm)</b>	1600w x 700d x 700h
<b>Prices (£)</b>	Ranging from £85 to £150

**For more information on packaging crates and delivery options please contact our service department for help.**

**Address:** Counterline Ltd, 12 Randles Road, Knowsley Business Park, Merseyside, L34 9HZ  
**Telephone:** +44 (0)151 548 2211  
**Fax:** +44 (0)151 549 2179

**Service Enquiries:** servicelog@counterline.co.uk  
**Spare Parts Enquiries:** spareparts@counterline.co.uk  
**General Enquiries:** enquiries@counterline.co.uk

**Website:** www.counterline.co.uk

**Please note that our office opening hours are: Monday to Thursday- 8:30am-5:00pm. Friday- 8:30am-4:30pm**