

A

A

B

B

C

C

D

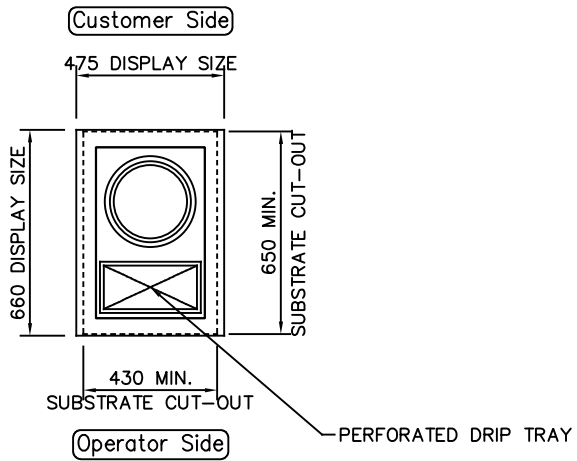
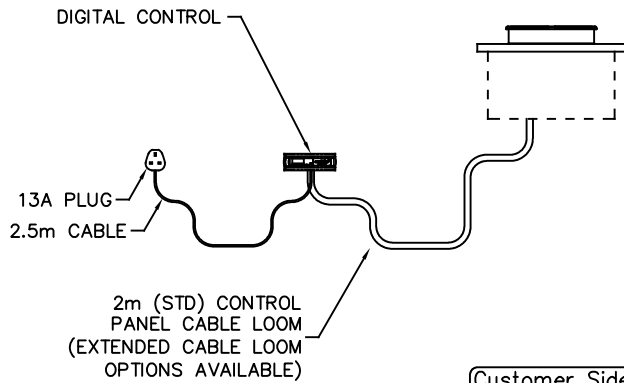
D

E

E

F

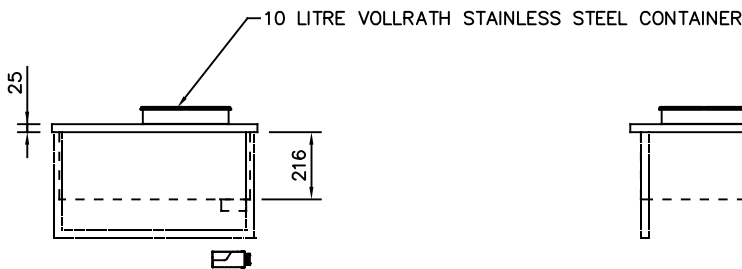
F



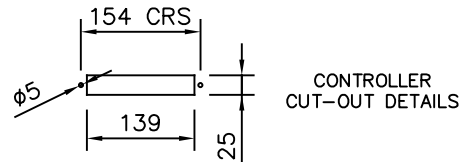
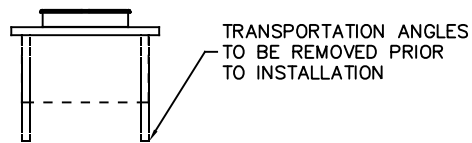
NOTE:  
IF DISPLAY IS TO BE FLUSH MOUNTED INTO WORKTOP, ADD 4 - 6mm TO DISPLAY SIZES FOR WORKTOP CUT-OUT

L.H. END ELEVATION

Customer Side



REAR ELEVATION



PRODUCT RANGE: idesign  
 DESC.: 1-1Gn SELF HELP SOUP BAIN MARIE WITH INTEGRAL DRIP TRAY  
 OPTION: & SINGLE 10 LITRE CONTAINER

**counterline** 

RANGLES RD, KNOWSLEY BUSINESS PARK, MERSEYSIDE L34 9HZ.

Tel: 0151 548 2211

Fax: 0151 549 2179

ID CODE: ISOUPduo  
 OPTION CODE: ISOUPduo10L1

ELECTRICAL INFO: 13A, 230V, 0.75KW WEIGHT: 10Kg

ISSUE: 1  SCALE: 1: 25 @ A4