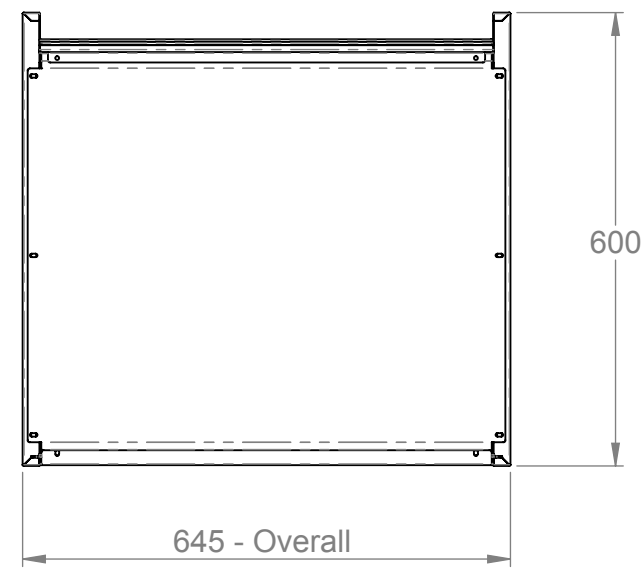
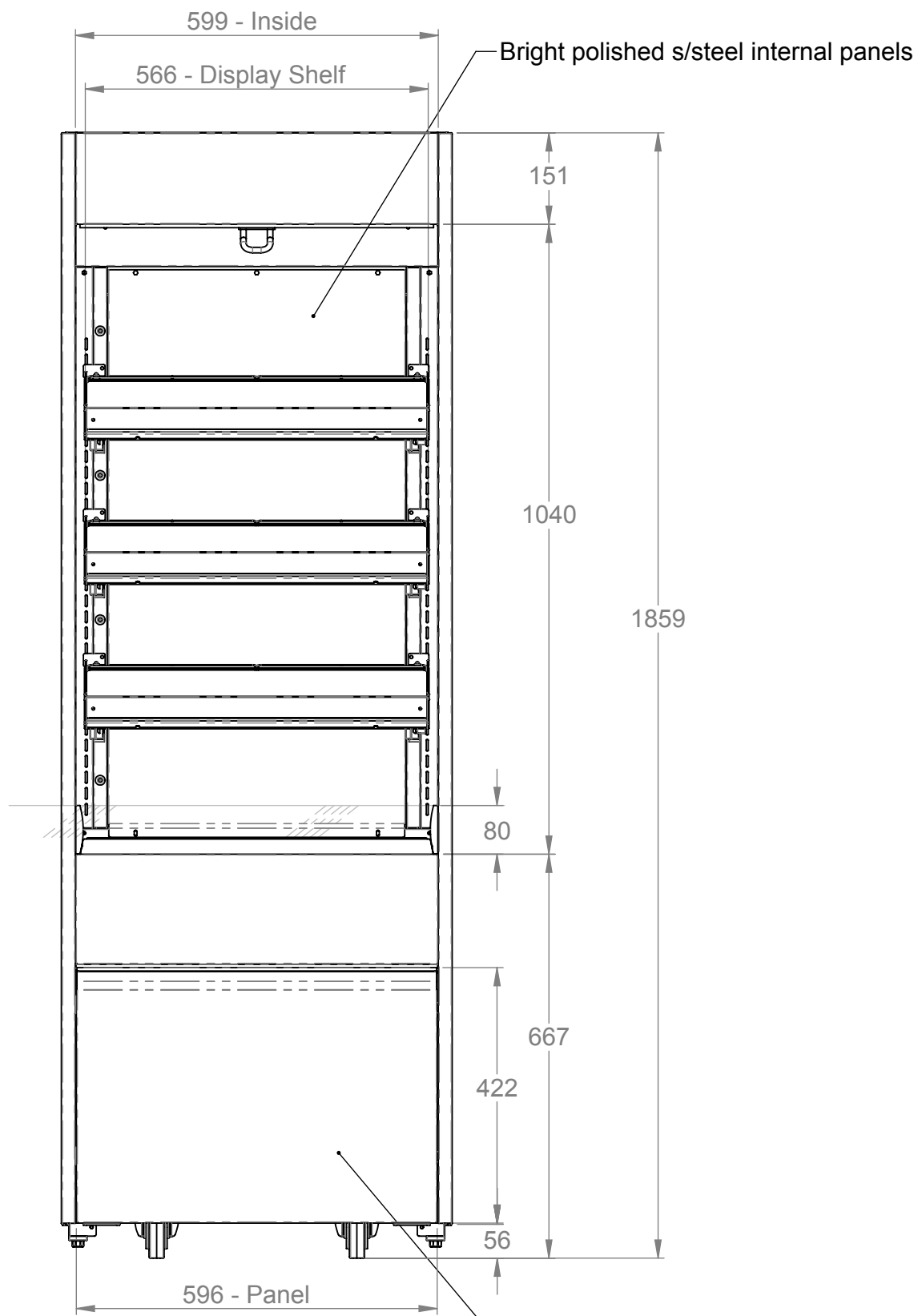
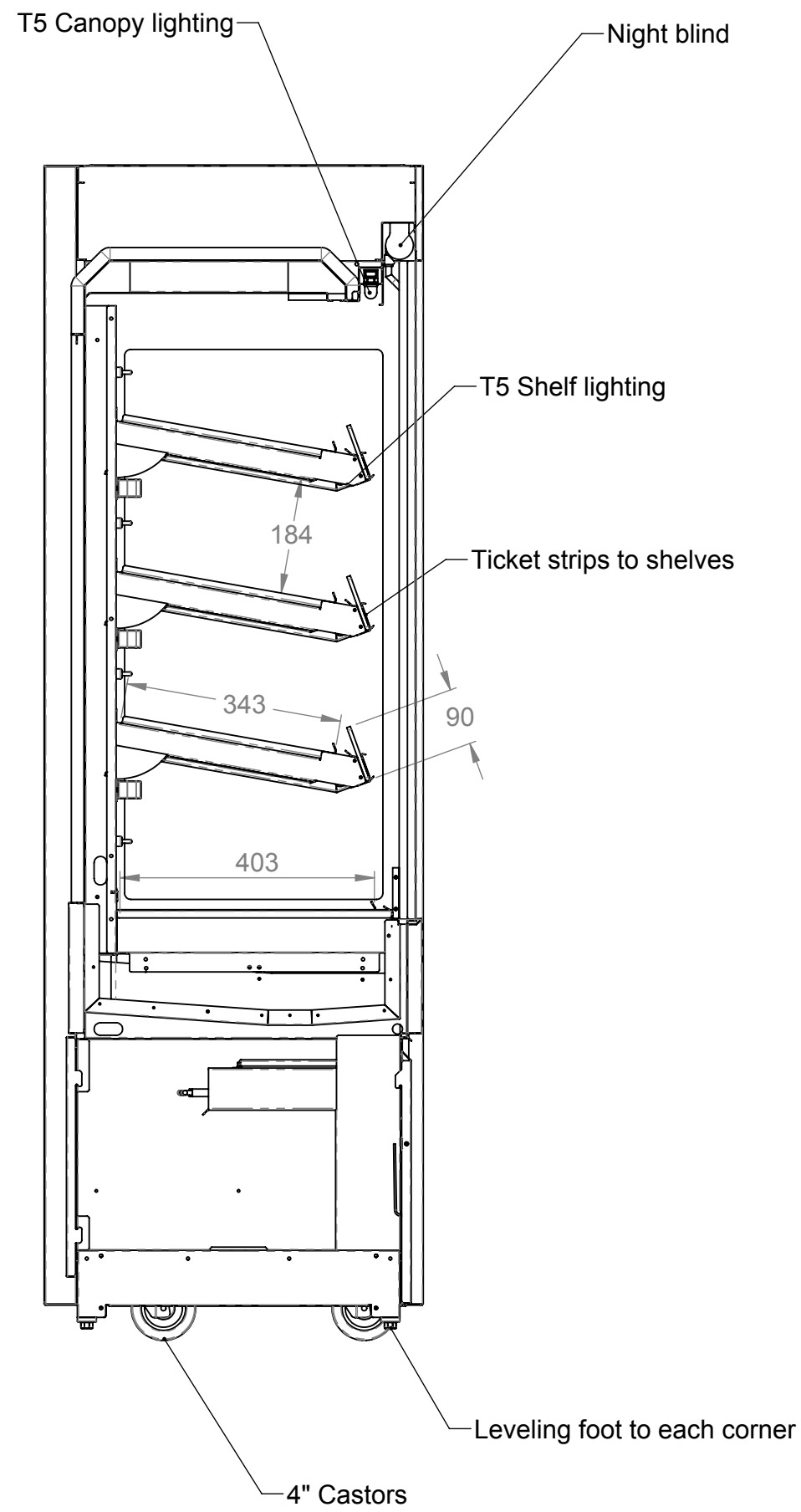




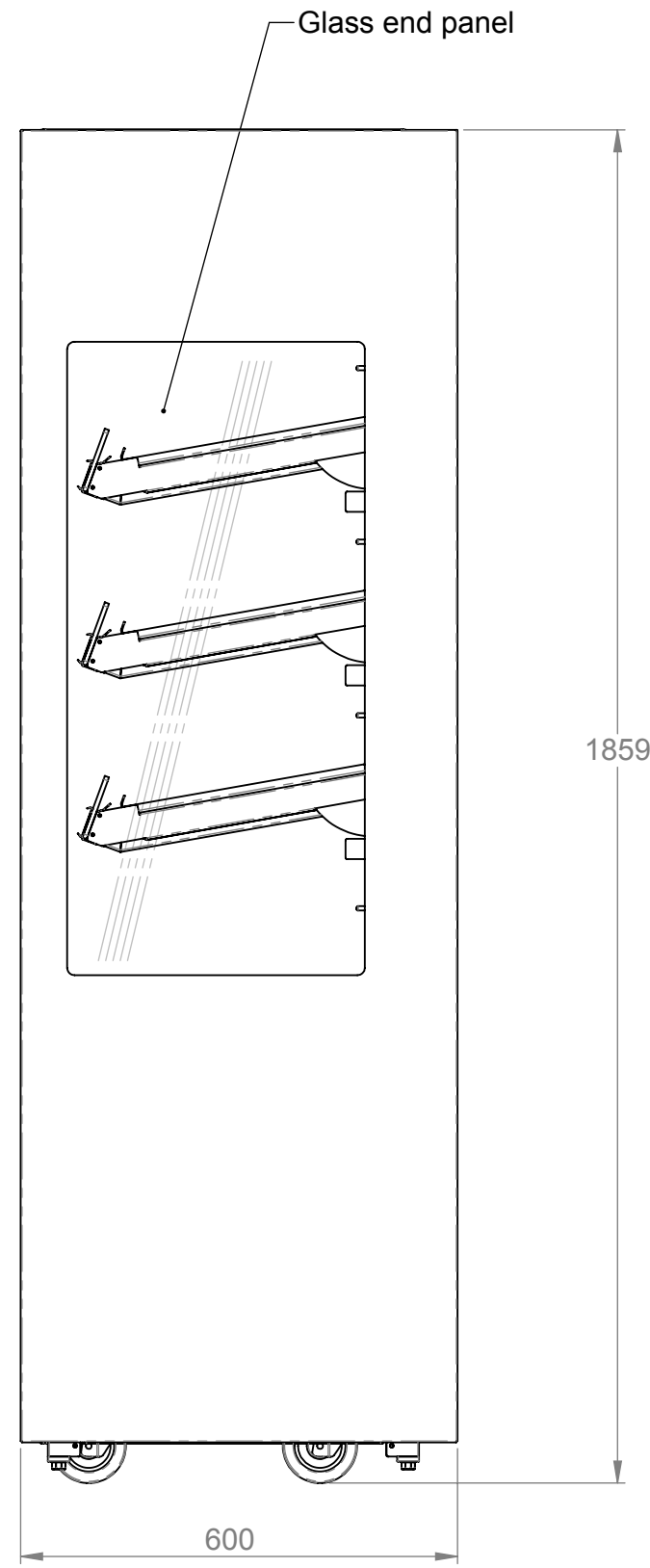
This drawing and the information properties contained there on is the property of Counterline Ltd and must not be copied or issued to a third party without the prior consent of Counterline Ltd.



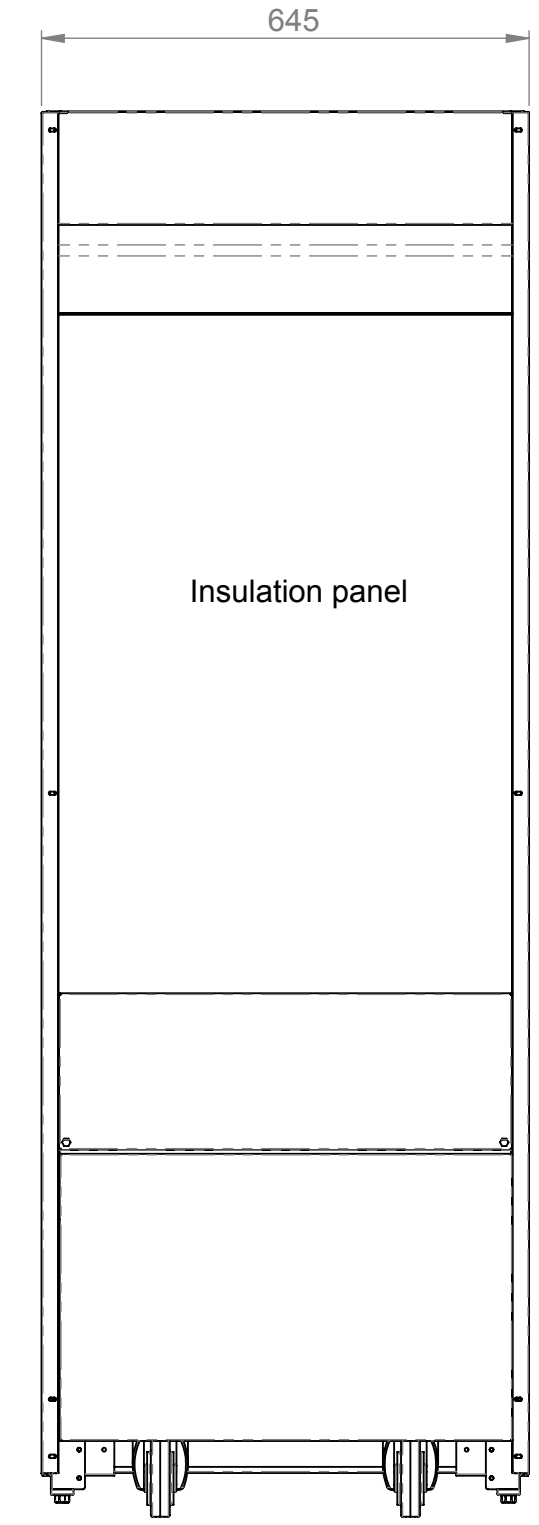
Plan



Front elevation



End elevation



Rear elevation

Display controls located behind drop down fascia panel

ELECTRICAL SPEC - 13A, 230V,
(min 1.5Kw - max 3Kw)
Via 13 Amp plugtop on 2.5 Metre lead
Weight - 200 Kg Approx

Assembly No - HHCNMD06-NB-GE

Issue	Date	Description
<p>Randles Rd, Knowsley Business Park, Merseyside L34 9HZ. Tel: 0151 548 2211 Fax: 0151 549 2179</p>		
Title: Heated Multi Tier Narrow 600		
Drg No :	Issue:	Date: 06/06/2017
16-231--B		Scale: 1:10 @ A2
		Chk'd:
Drn by: G Burgess	All dims in MM	Date: