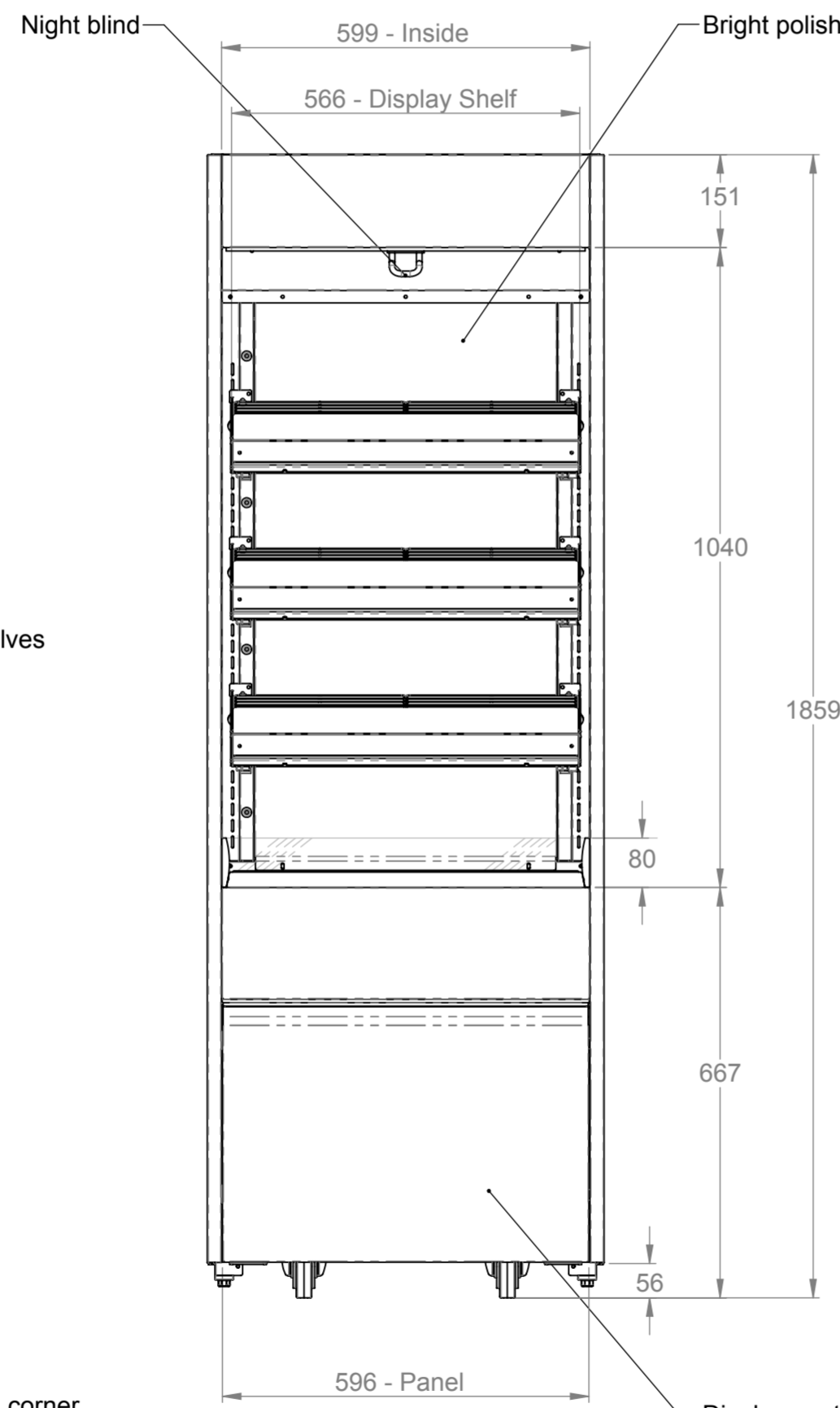
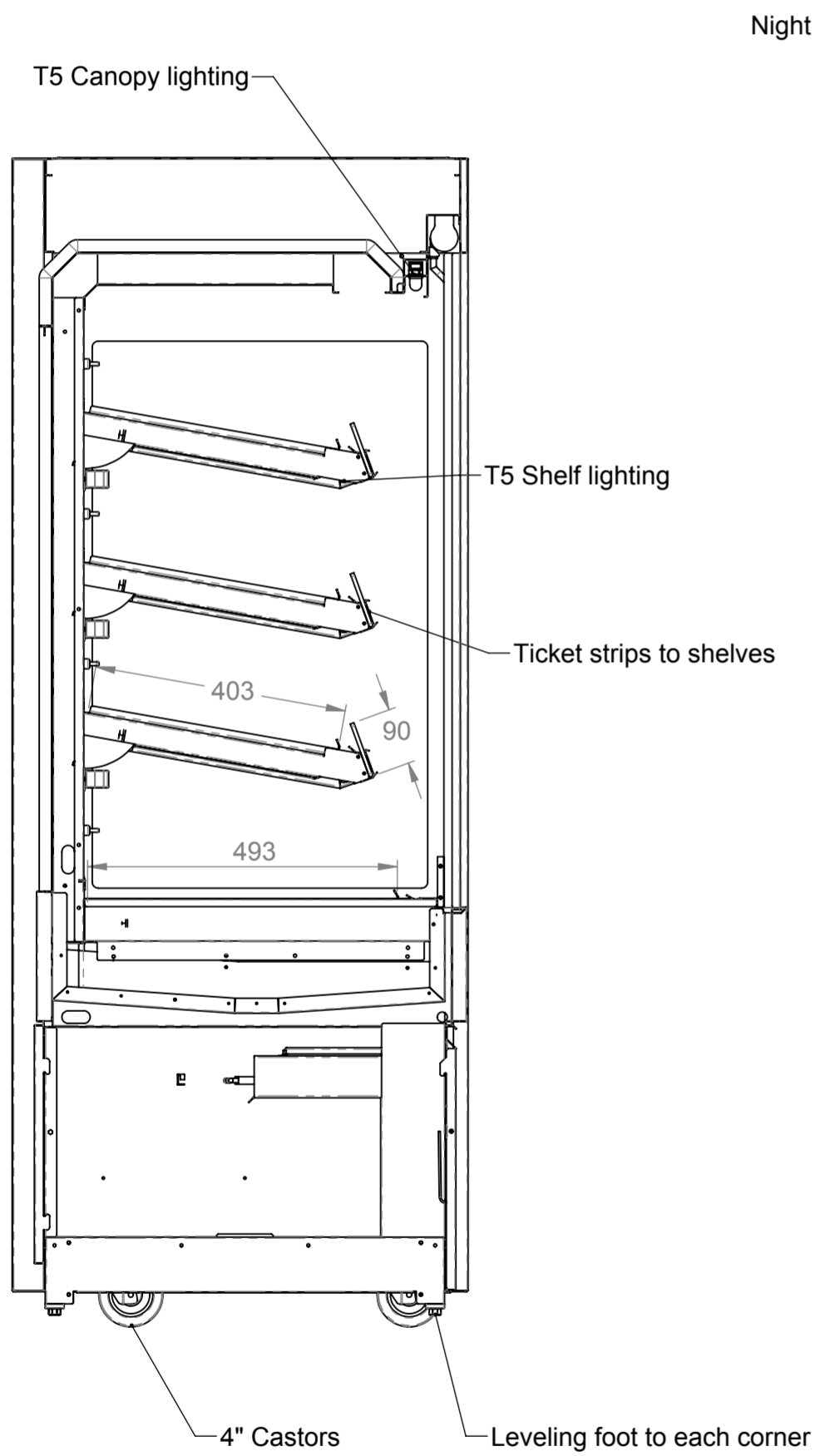
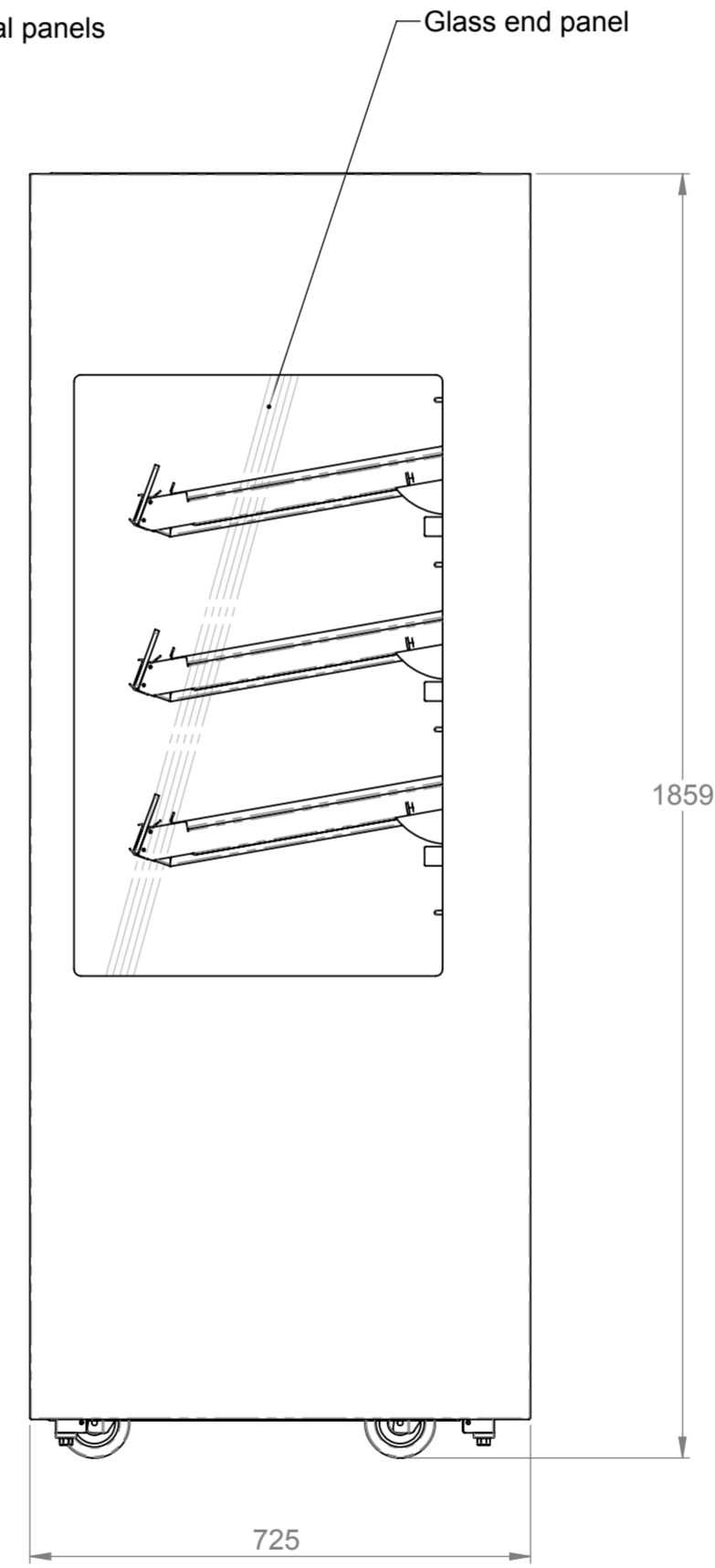


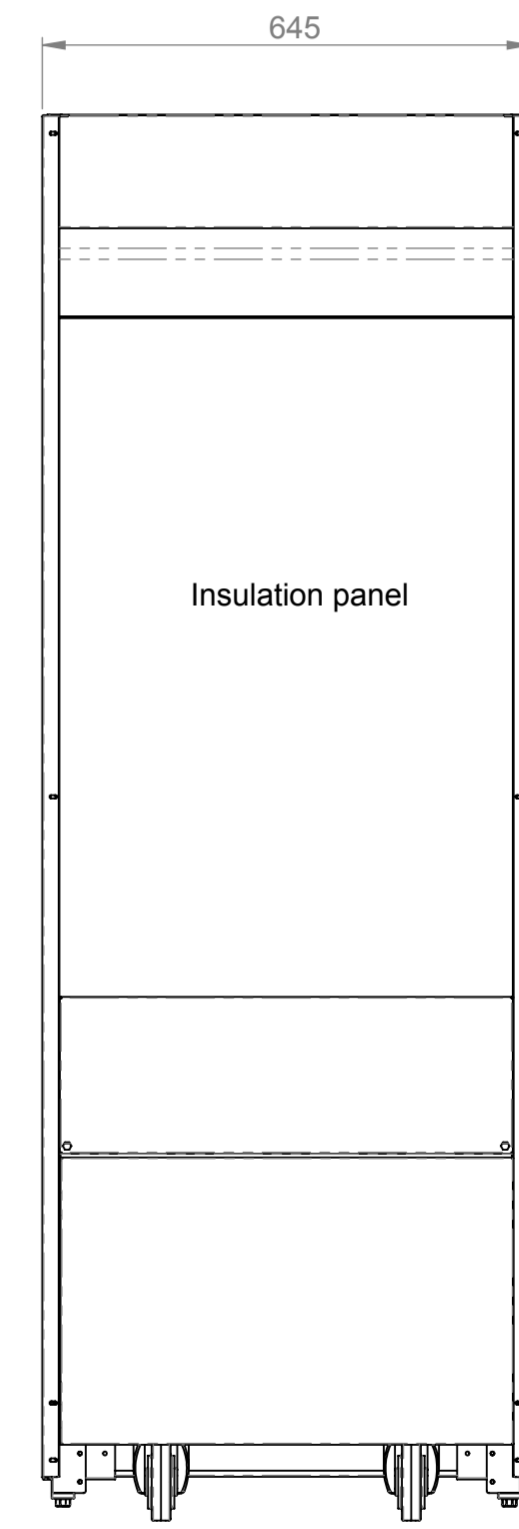
Plan



Satin polished s/steel front & end panels
Front elevation




End elevation



Rear elevation

ELECTRICAL SPEC - 13A, 230V,
(min 1.5Kw - max 3Kw)
Via 13 Amp plugtop on 2.5 Metre lead
Weight - 200 Kg Approx

Assembly No - HHCMD06-NB-GE

| Issue | Date | Description |
|---|----------------|------------------|
|  Randles Rd, Knowsley Business Park, Merseyside L34 9HZ. Tel: 0151 548 2211 Fax: 0151 549 2179 | | |
| Title: Heated Multi Tier 600 | | |
| Drg No : | Issue: | Date: 05/07/2017 |
| 17-198--A | | Scale: 1:10 @ A2 |
| | | Chk'd: |
| Drn by: G Burgess | All dims in MM | Date: |