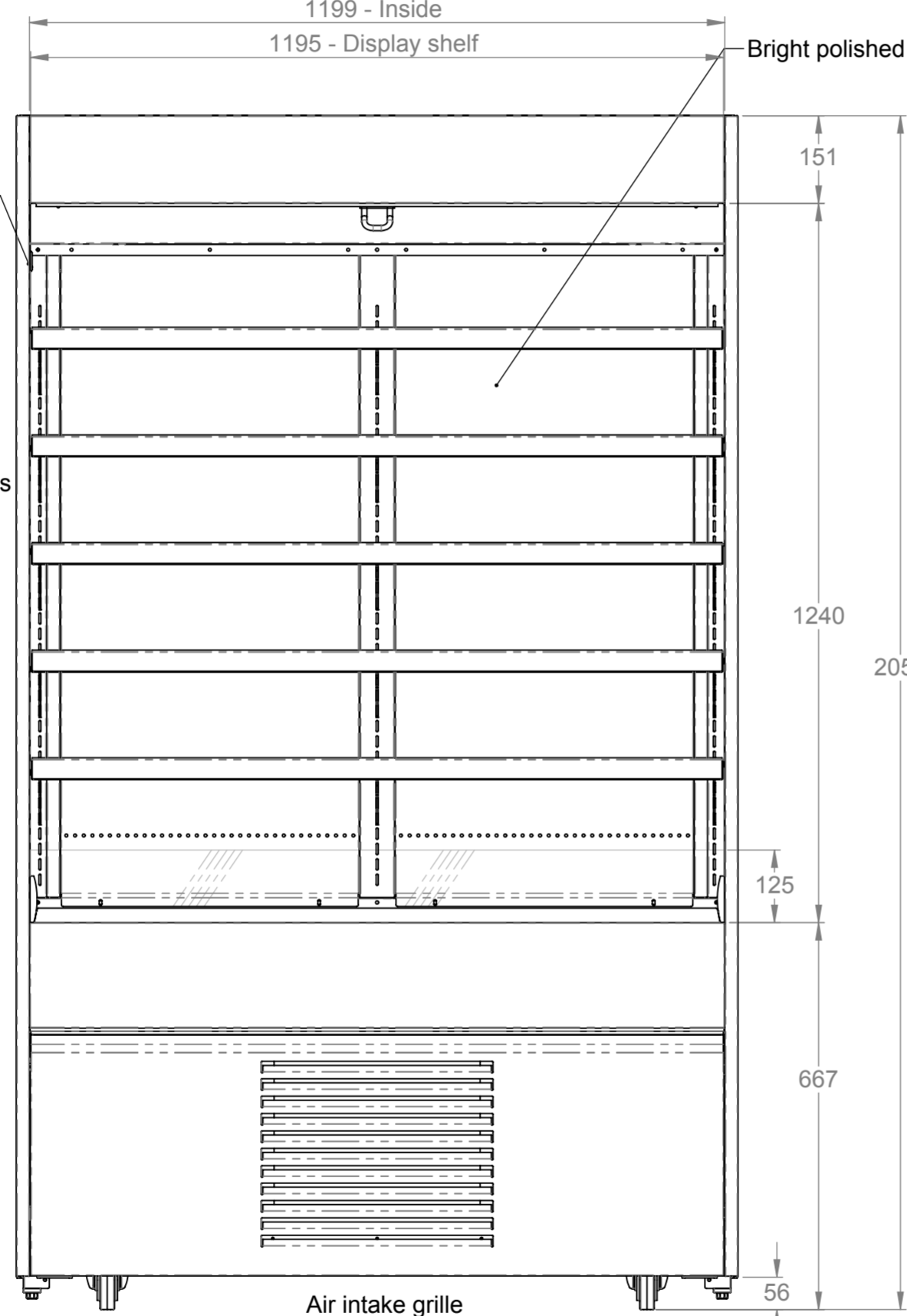
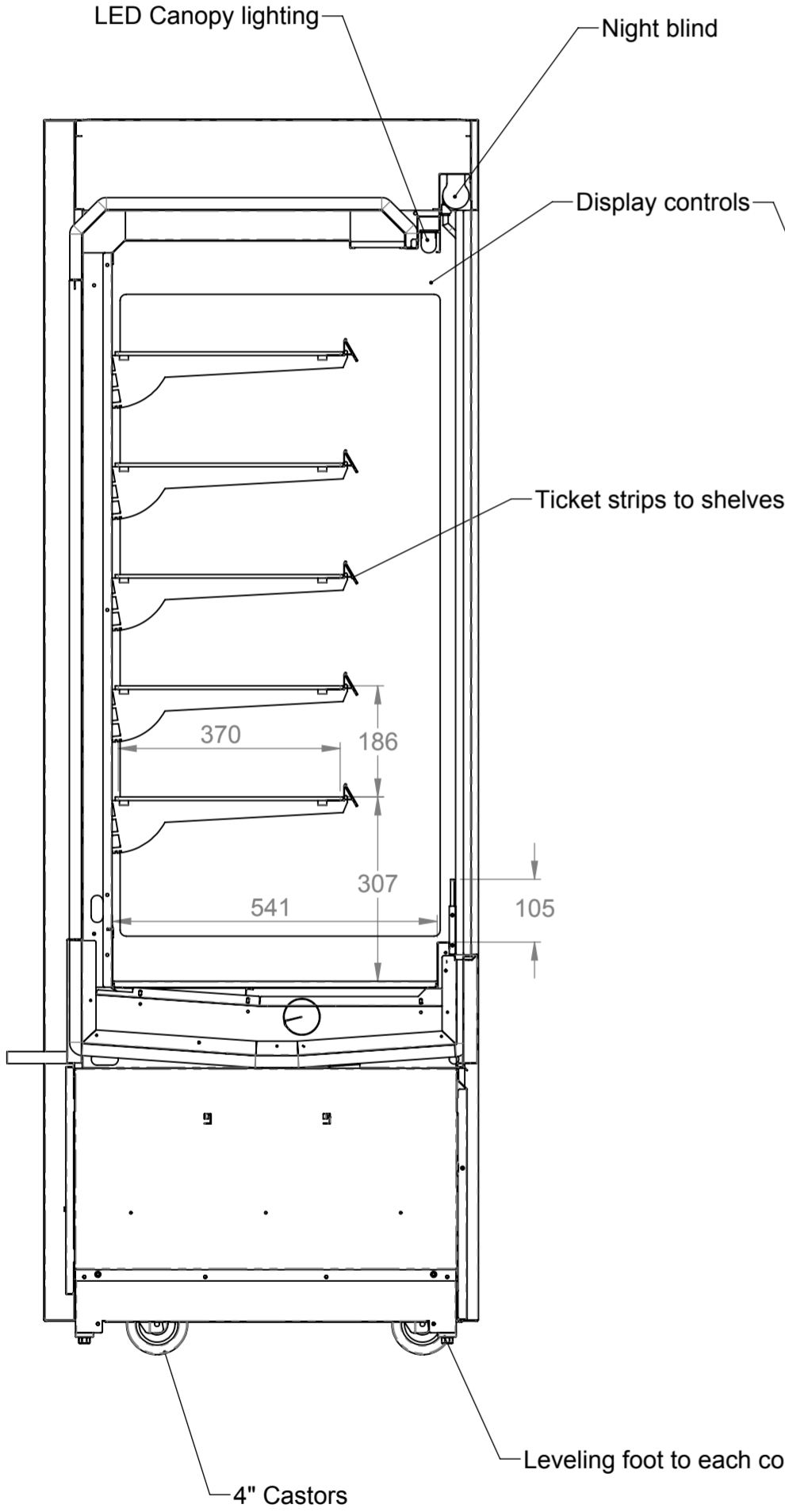
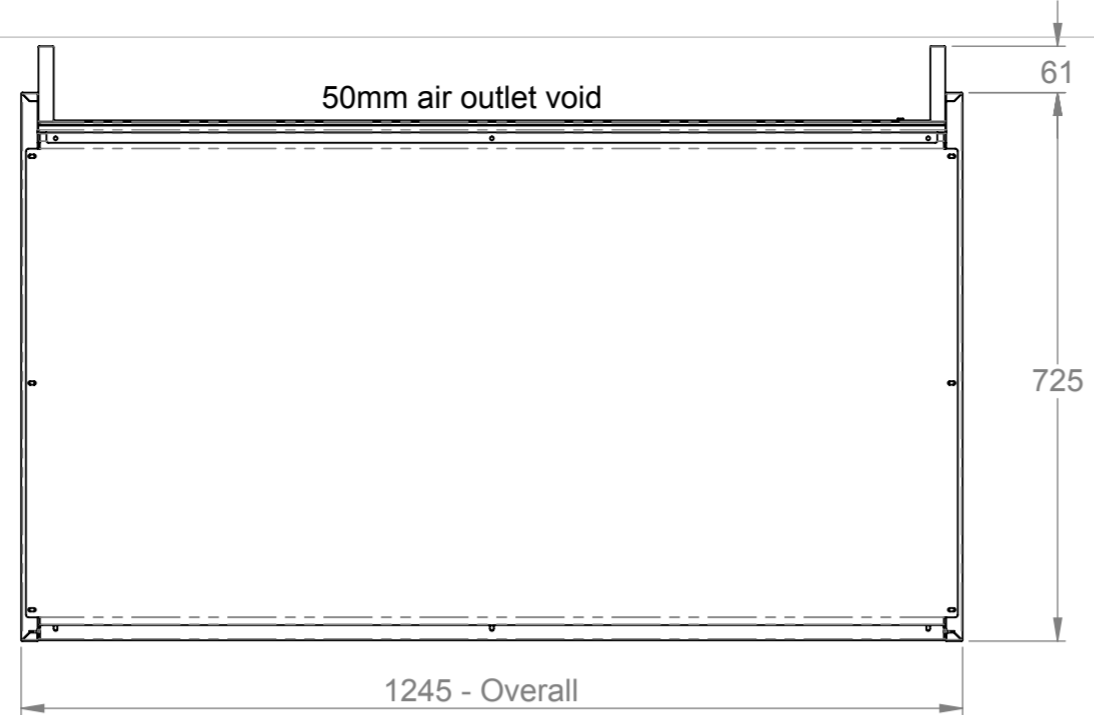
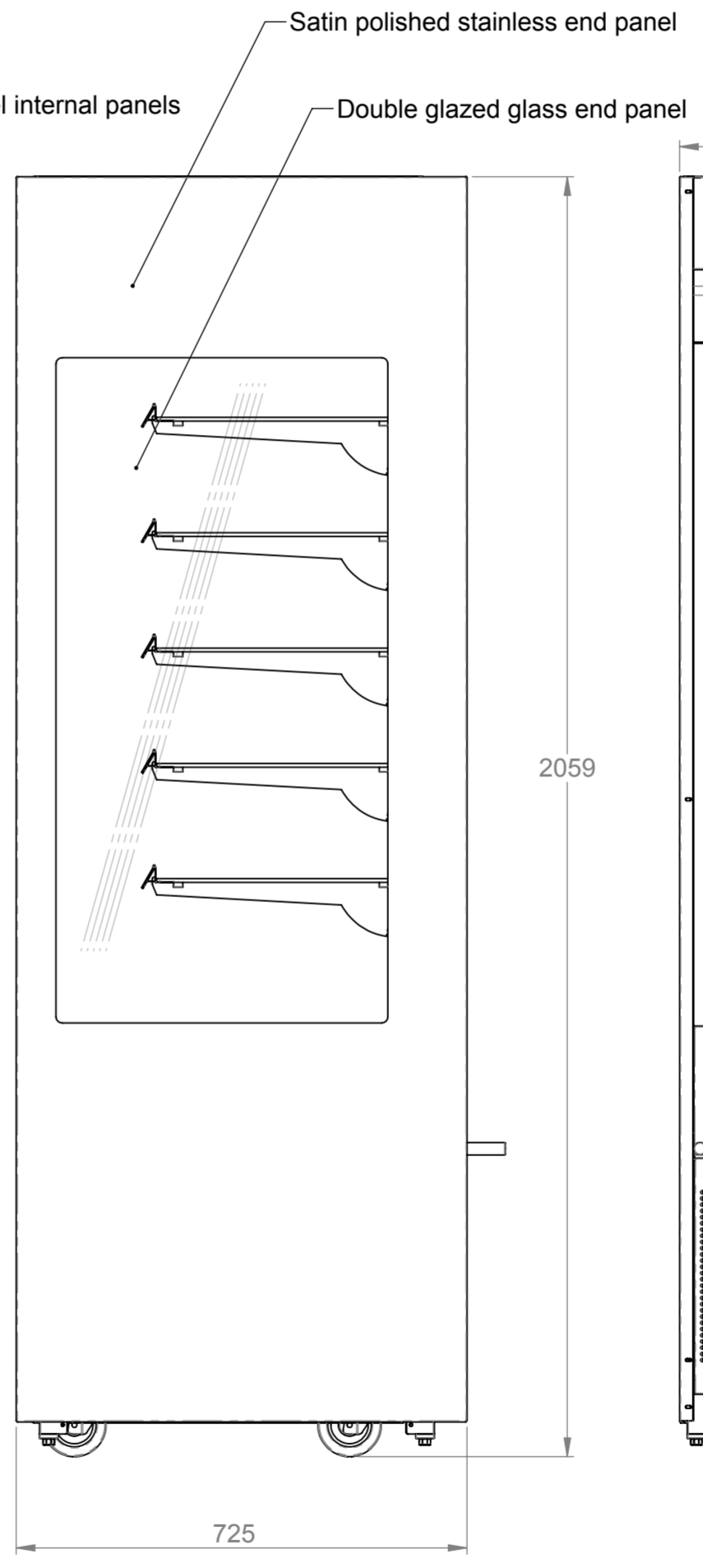


3rd Angle Projection. 
 This drawing and the information properties contained there on is the property of Counterline Ltd and must not be copied or issued to a third party without the prior consent of Counterline Ltd.

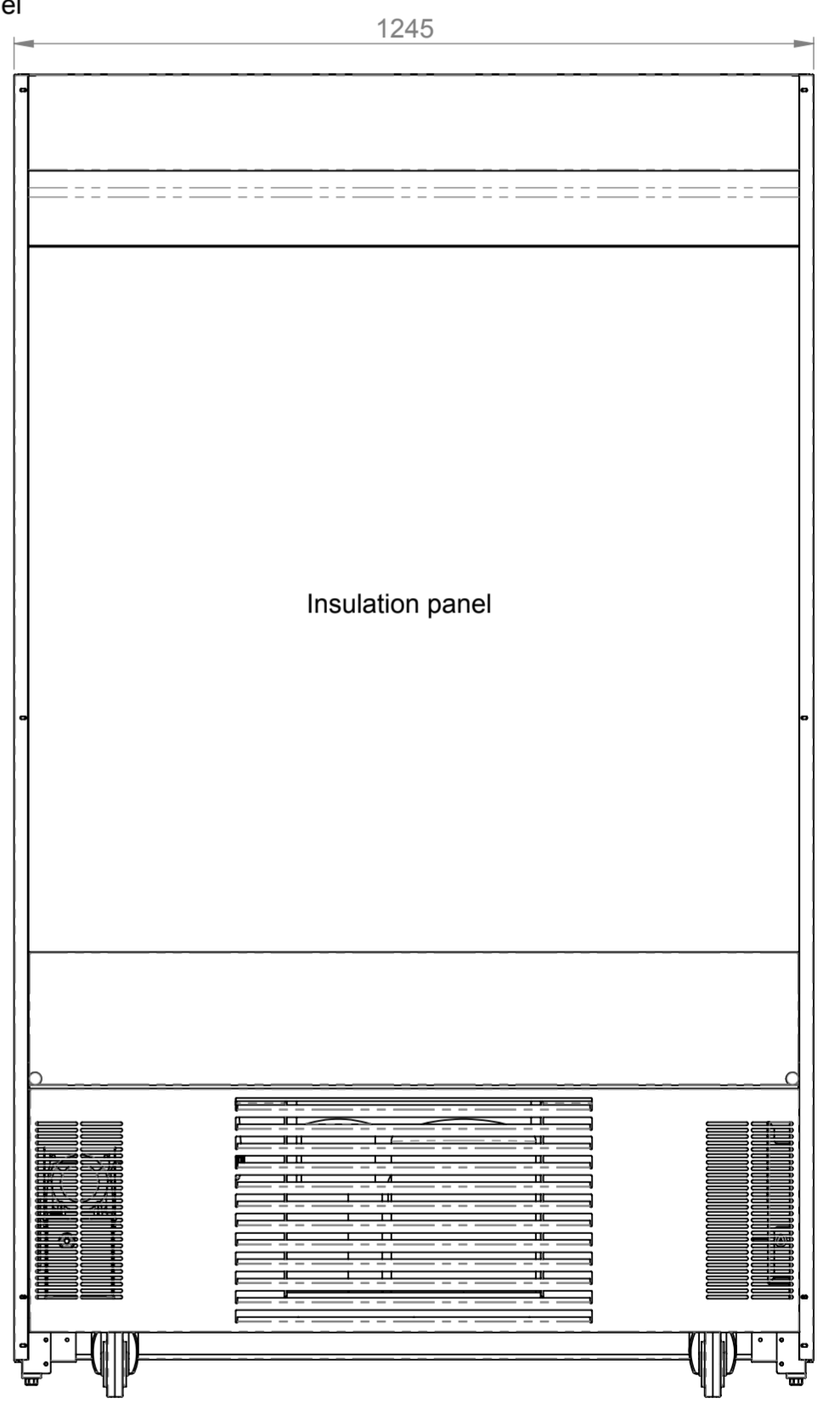
Plan



Front elevation




End elevation



Rear elevation

ELECTRICAL SPEC - 13A, 230V, 2.7Kw
 Via 13 Amp plugtop on 2.5 Metre lead
 Weight - 200 Kg Approx

Assembly No - CHCTMD12-NB-GE

Issue	Date	Description
 Randles Rd, Knowsley Business Park, Merseyside L34 9HZ. Tel: 0151 548 2211 Fax: 0151 549 2179		
Title: Chilled Tall Multi Tier 1200		
Drg No :	Issue:	Date: 05/06/2017
16-260--B		Scale: 1:10 @ A2
Drn by: G Burgess	All dims in MM	Chk'd: Date: