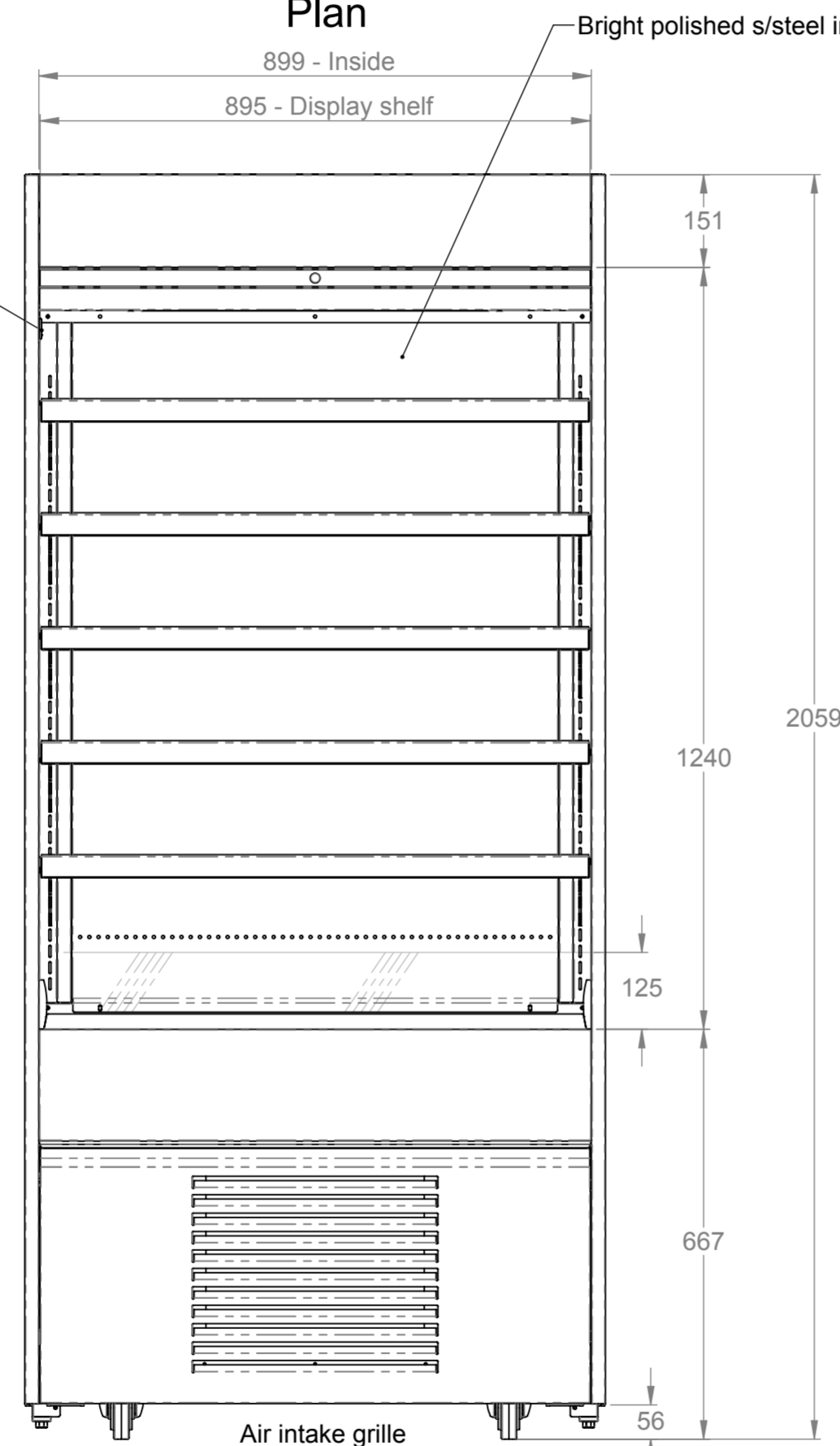
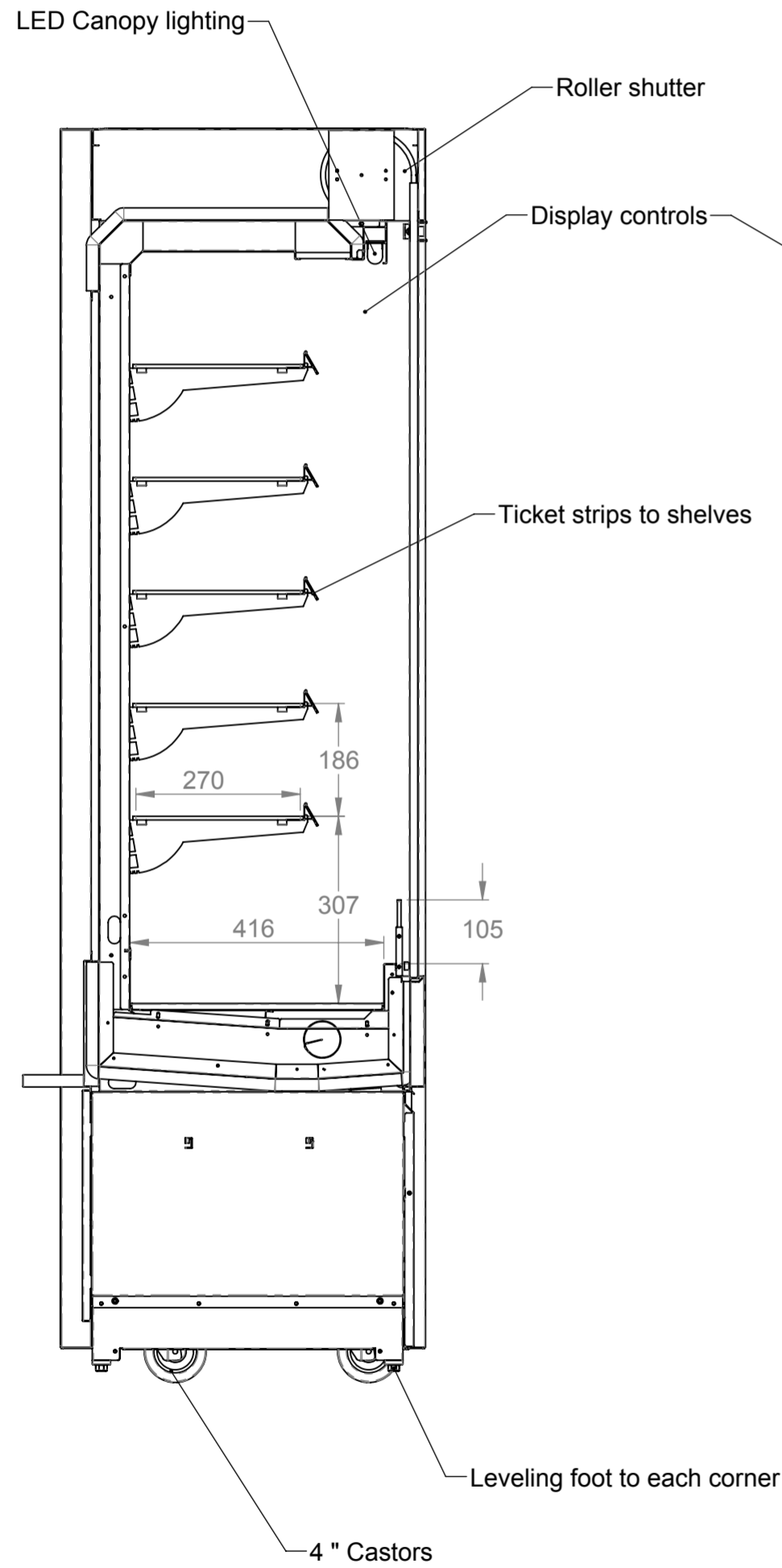
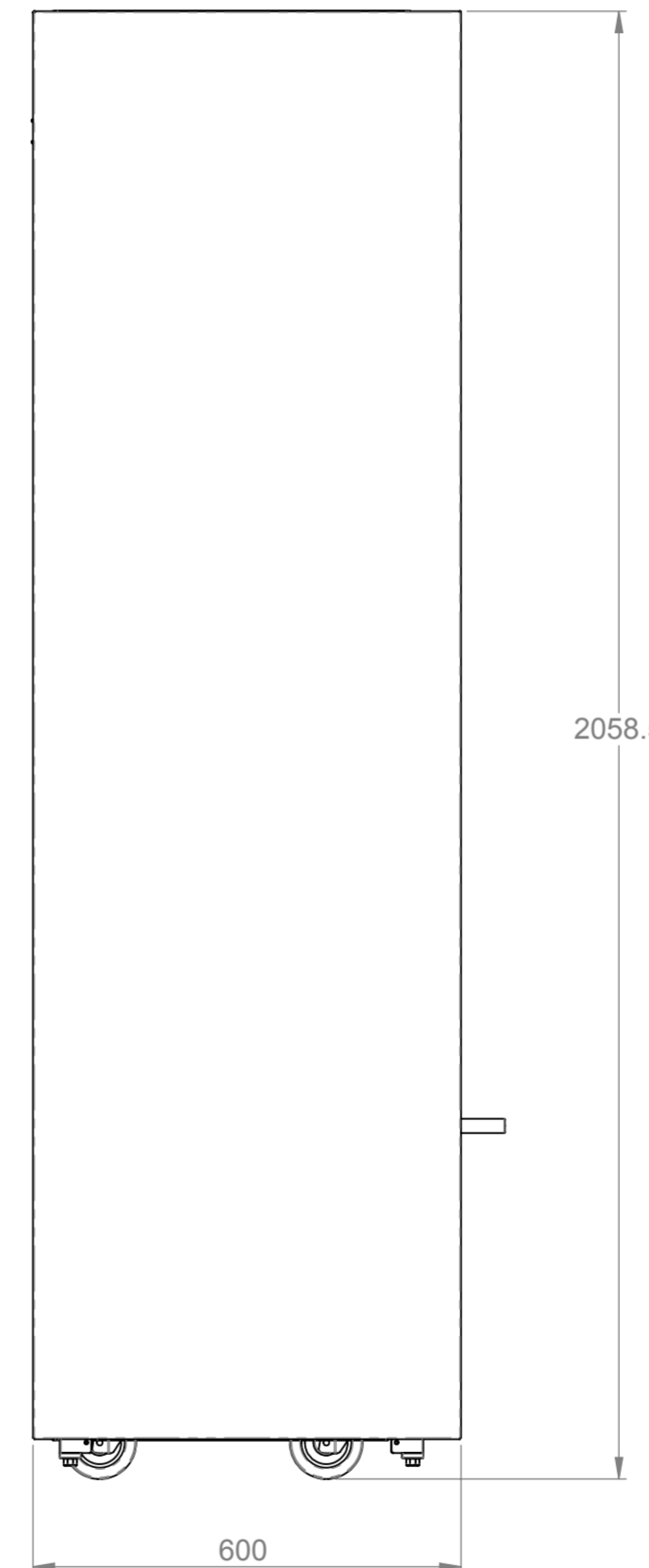


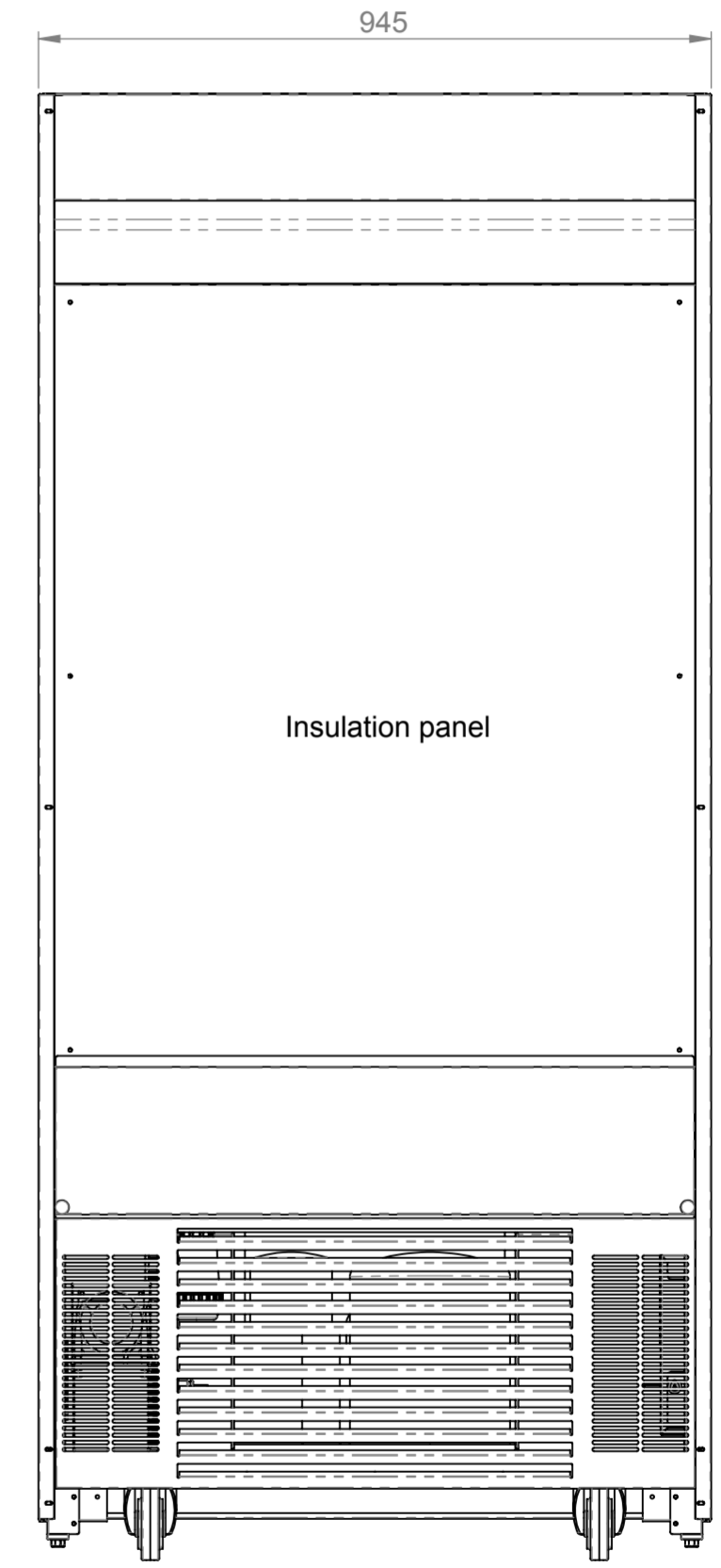
Plan



Front elevation



End elevation



Rear elevation

ELECTRICAL SPEC - 13A, 230V, 2.7Kw
Via 13 Amp plugtop on 2.5 Metre lead
Weight - 200 Kg Approx

Assembly No - CHCNTMD09-RS

| Issue | Date | Description |
|--|----------------|------------------|
| <p>Randles Rd, Knowsley Business Park, Merseyside L34 9HZ. Tel: 0151 548 2211 Fax: 0151 549 2179</p> | | |
| Title: Chilled Multi Tier Narrow 900 Tall | | |
| Drg No : | Issue: | Date: 26/06/2017 |
| 17-165--A | | Scale: 1:10 @ A2 |
| | | Chk'd: |
| Drn by: G Burgess | All dims in MM | Date: |