
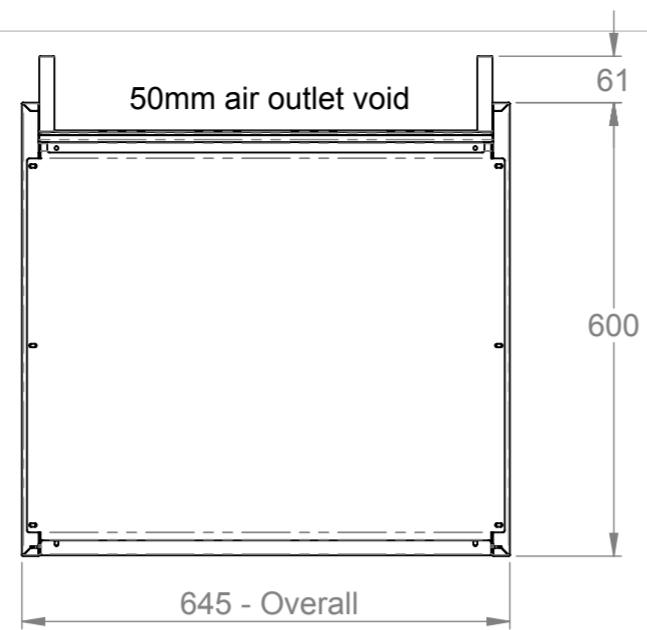
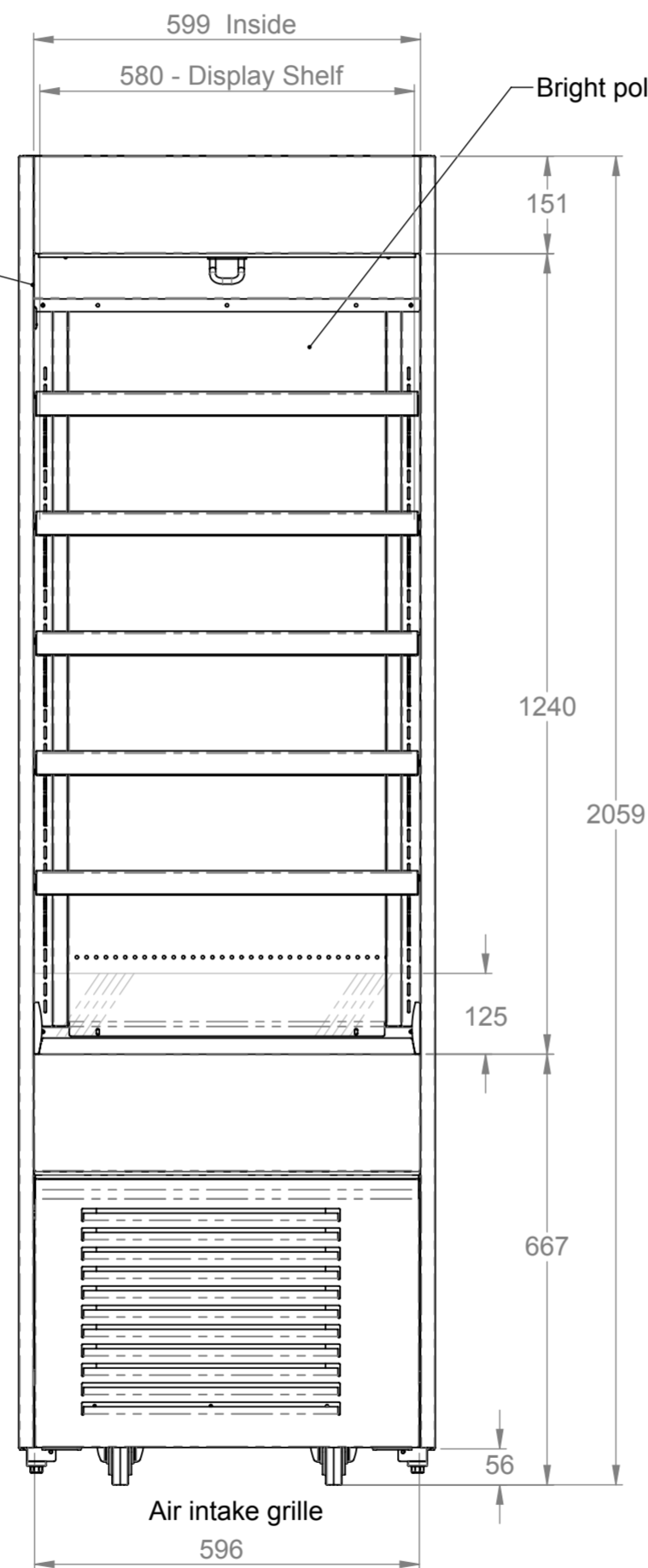
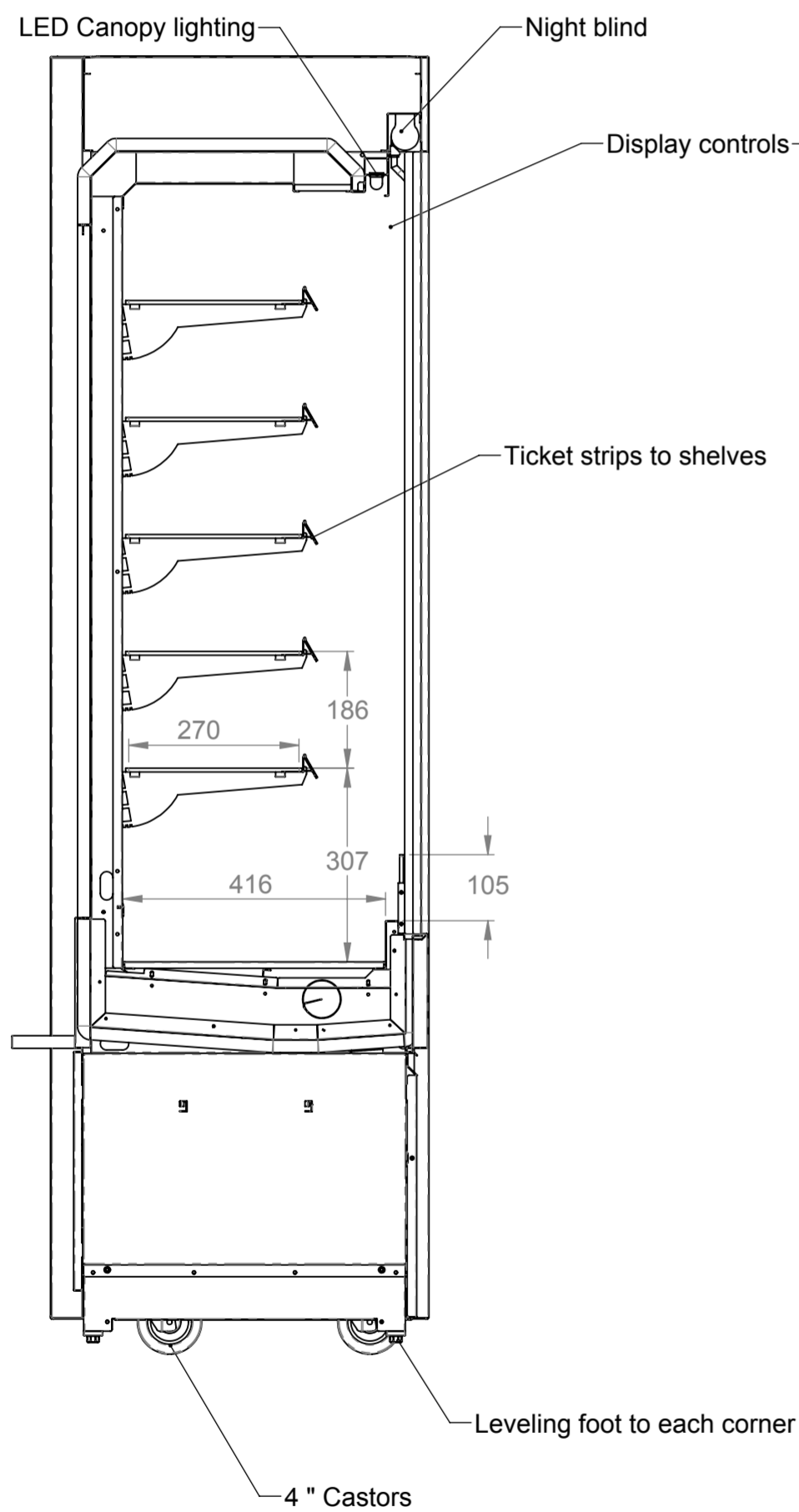


3rd Angle Projection. 

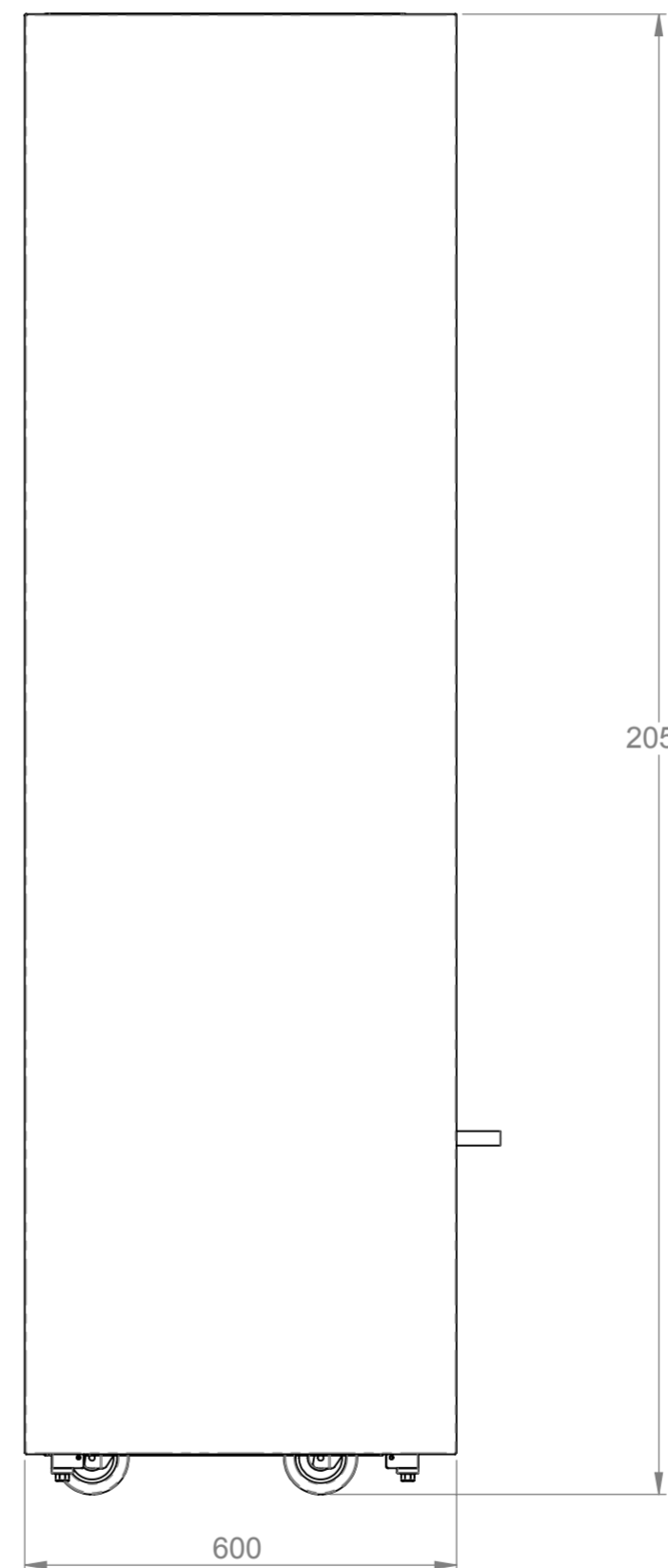
This drawing and the information properties contained there on is the property of Counterline Ltd and must not be copied or issued to a third party without the prior consent of Counterline Ltd.



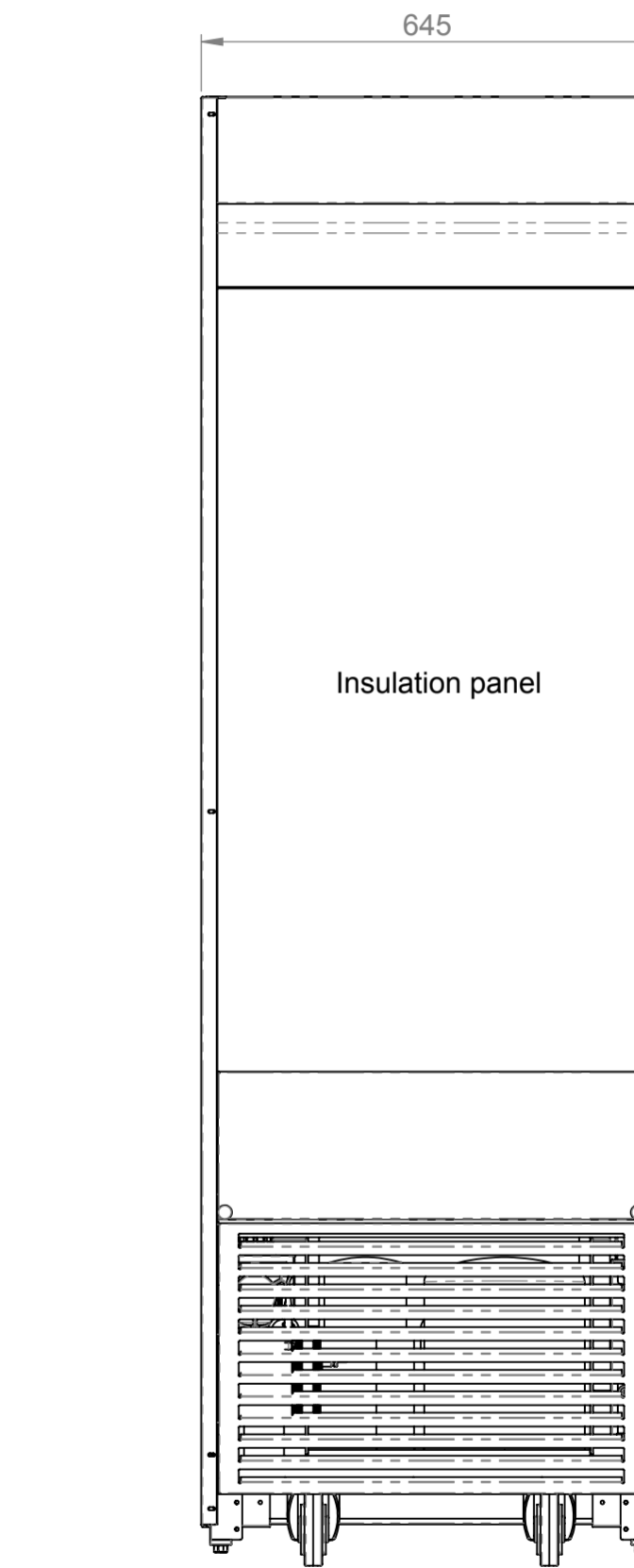
**Plan**



Satin polished s/steel front & end panels  
**Front elevation**




**End elevation**



Internal evap tray **Rear elevation**

ELECTRICAL SPEC - 13A, 230V, 2.7Kw  
Via 13 Amp plugtop on 2.5 Metre lead  
Weight - 200 Kg Approx

**Assembly No - CHCNTMD06-NB**

Issue	Date	Description
 Randles Rd, Knowsley Business Park, Merseyside L34 9HZ. Tel: 0151 548 2211 Fax: 0151 549 2179		
Title: <b>Chilled Multi Tier Narrow 600 Tall</b>		
Drg No :	Issue:	Date: 26/06/2017
<b>17-162--A</b>		Scale: 1:10 @ A2
Drn by: G Burgess		Chk'd:
All dims in MM		Date: