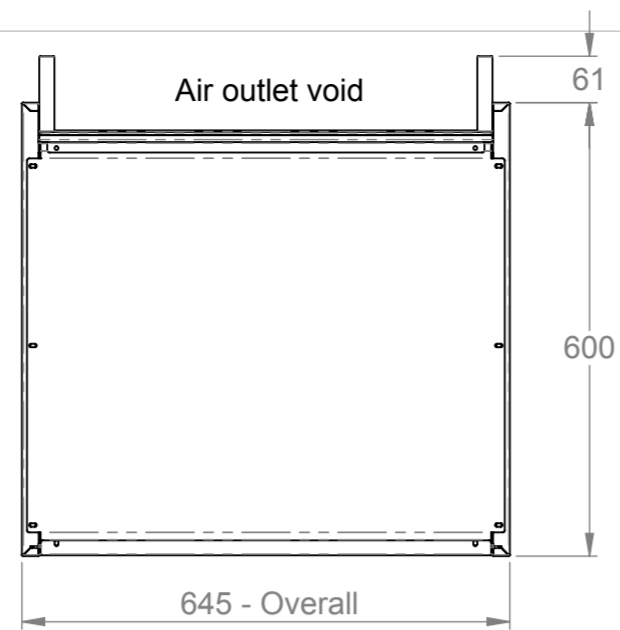
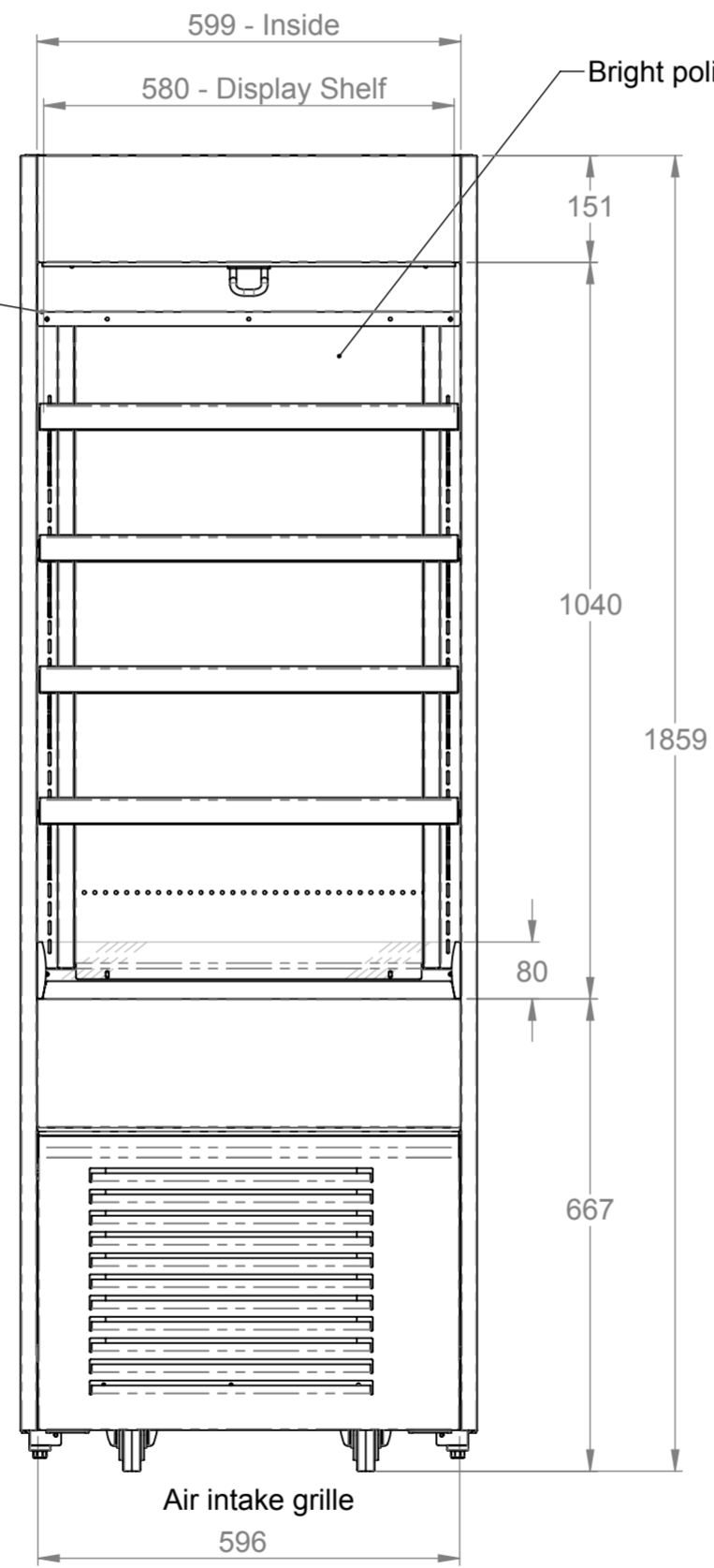
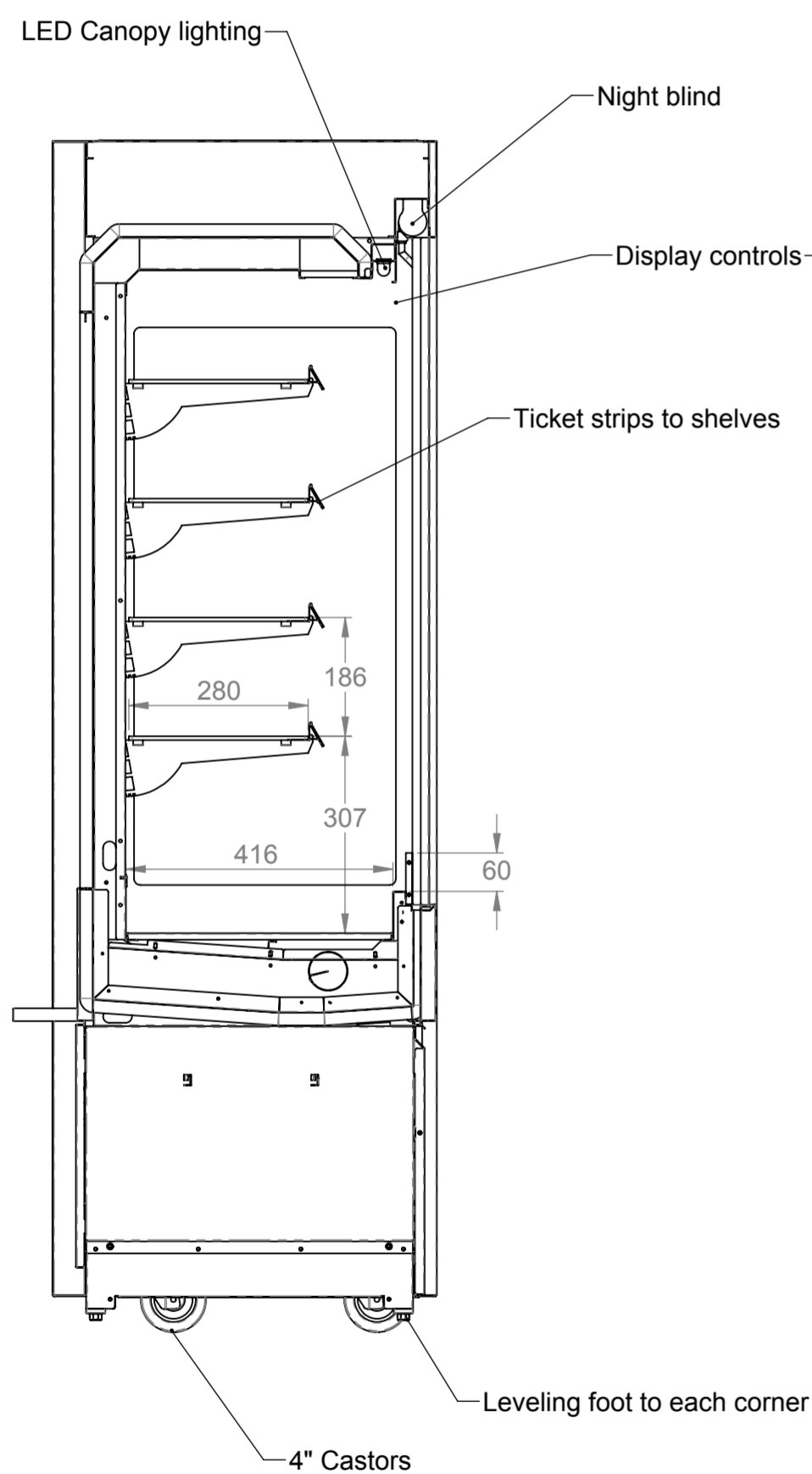


3rd Angle Projection. 

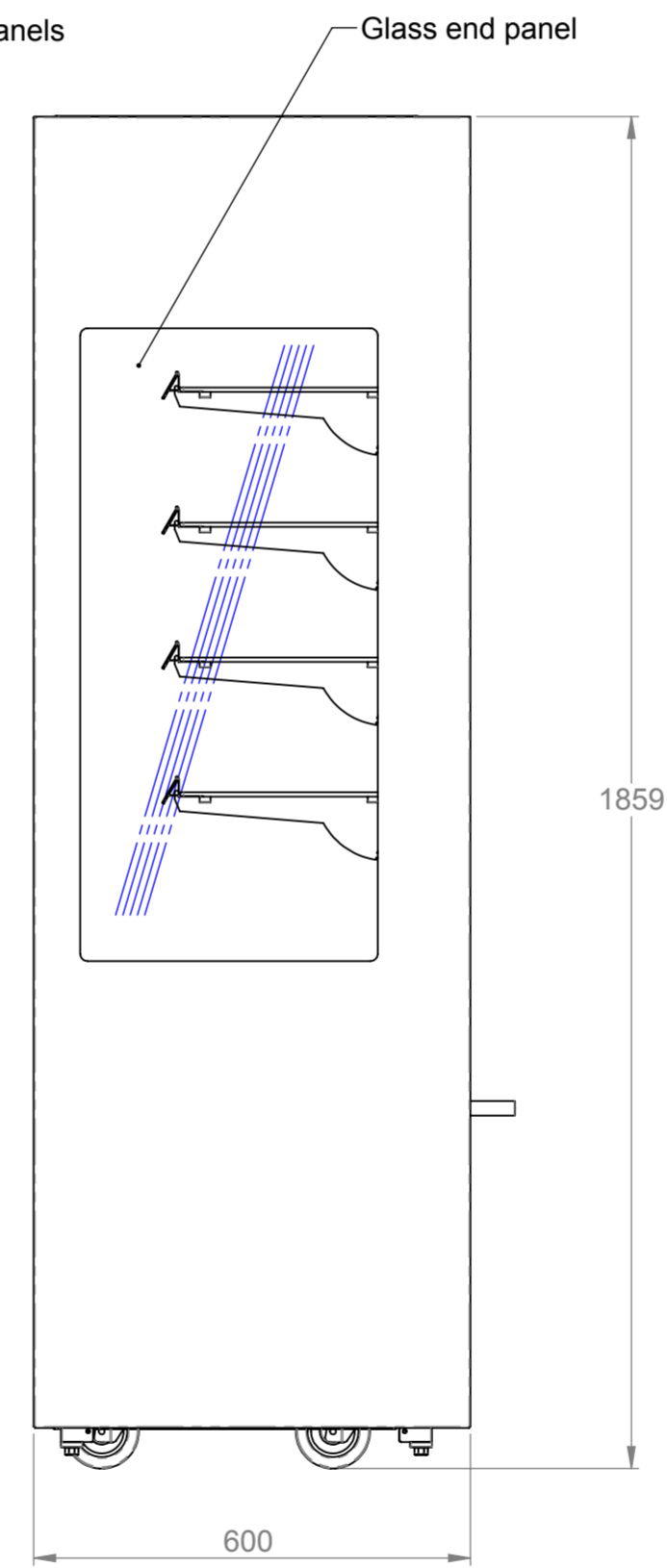
This drawing and the information properties contained there on is the property of Counterline Ltd and must not be copied or issued to a third party without the prior consent of Counterline Ltd.



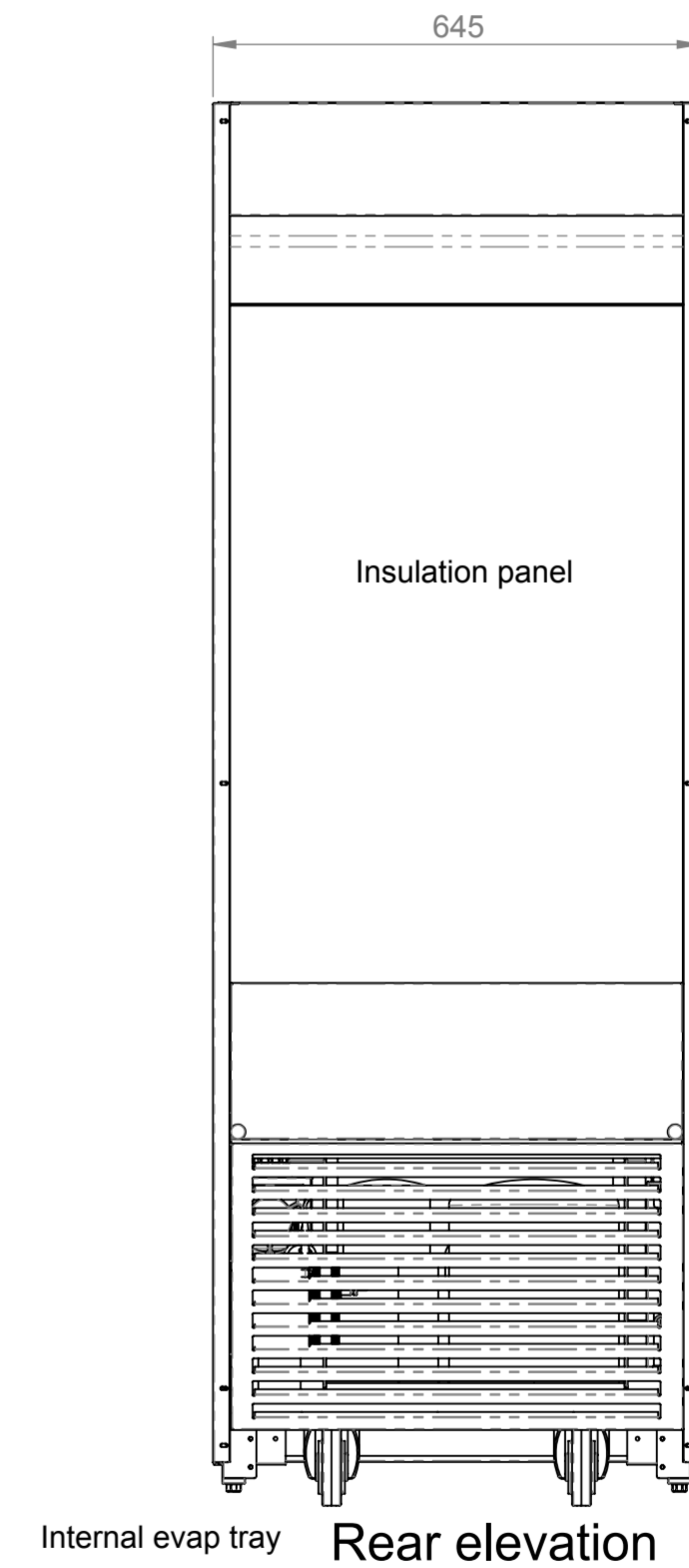
Plan



Satin polished s/steel front & end panels  
Front elevation




End elevation



Internal evap tray  
Rear elevation

ELECTRICAL SPEC - 13A, 230V, 2.7Kw  
Via 13 Amp plugtop on 2.5 Metre lead  
Weight - 200 Kg Approx

Assembly No - CHCNMD06-NB-GE

Issue	Date	Description
 Randles Rd, Knowsley Business Park, Merseyside L34 9HZ. Tel: 0151 548 2211 Fax: 0151 549 2179		
Title: Chilled Multi Tier Narrow 600		
Drg No :	Issue:	Date: 09/06/2017
16-233--B		Scale: 1:10 @ A2
		Chk'd:
Drn by: G Burgess	All dims in MM	Date: