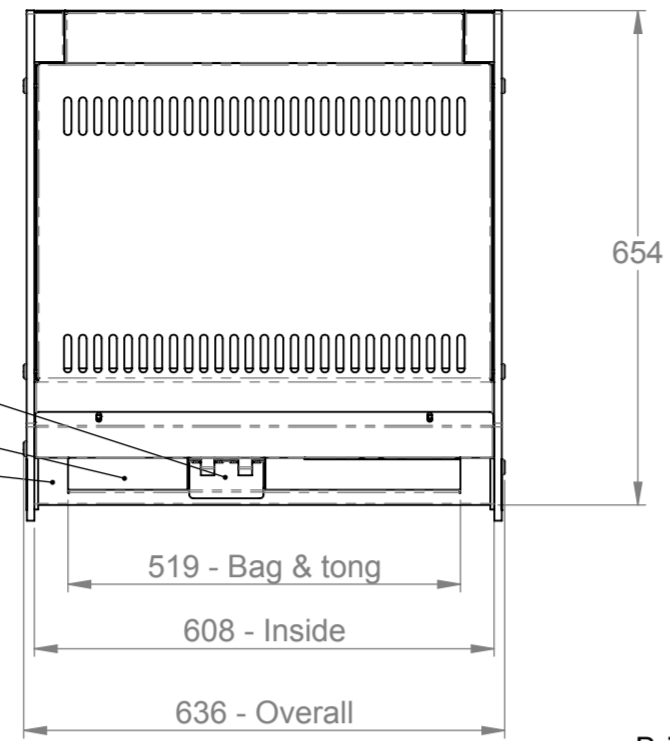




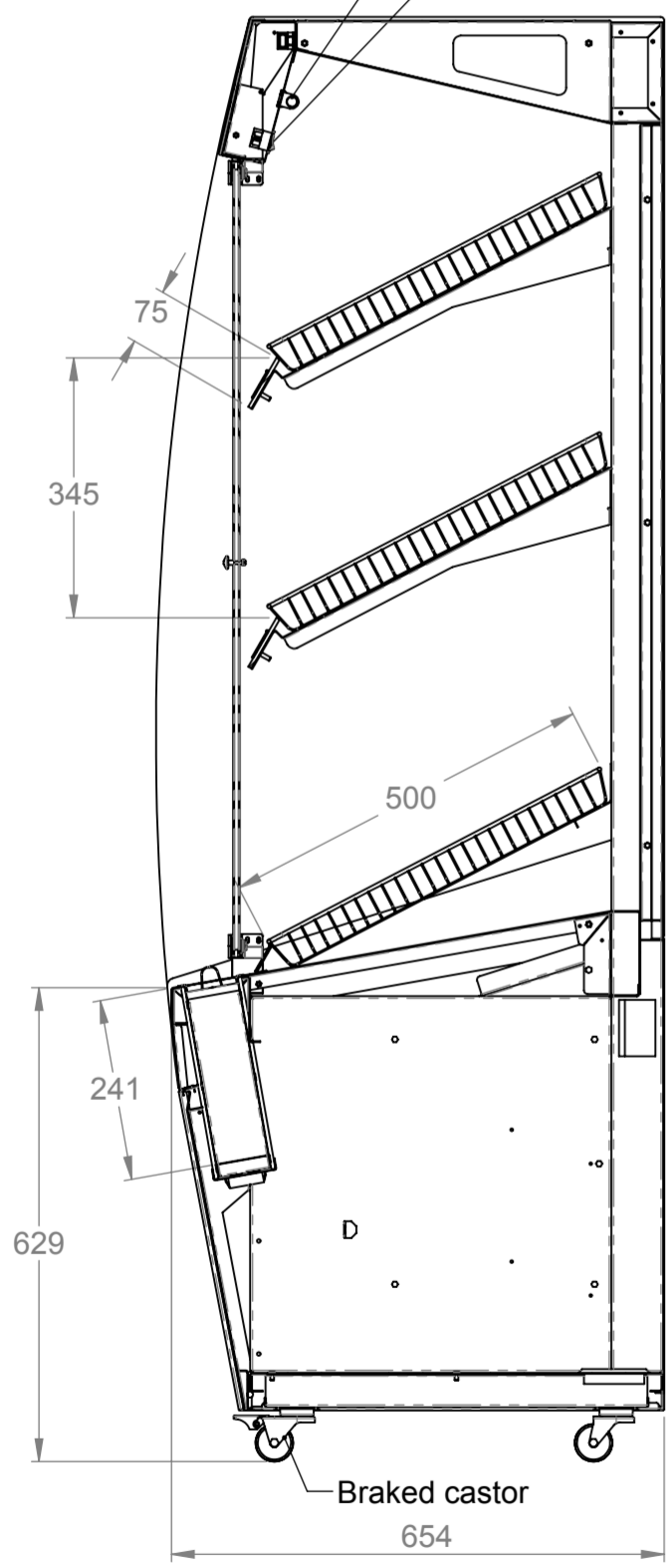
This drawing and the information properties contained there on is the property of Counterline Ltd and must not be copied or issued to a third party without the prior consent of Counterline Ltd.

Tong holder
Bag recess
Satin polished worktop



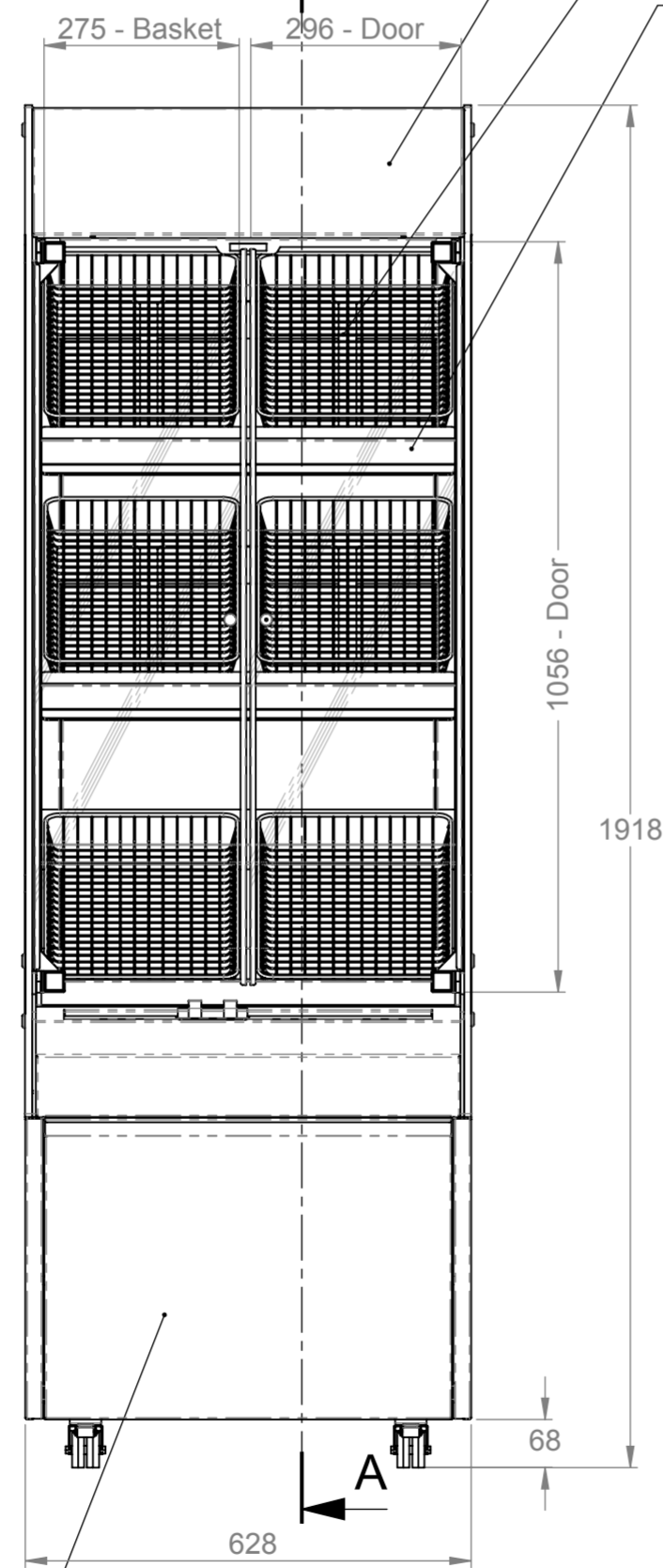
Plan A

T5 Canopy lighting
Displat ON/OFF switch



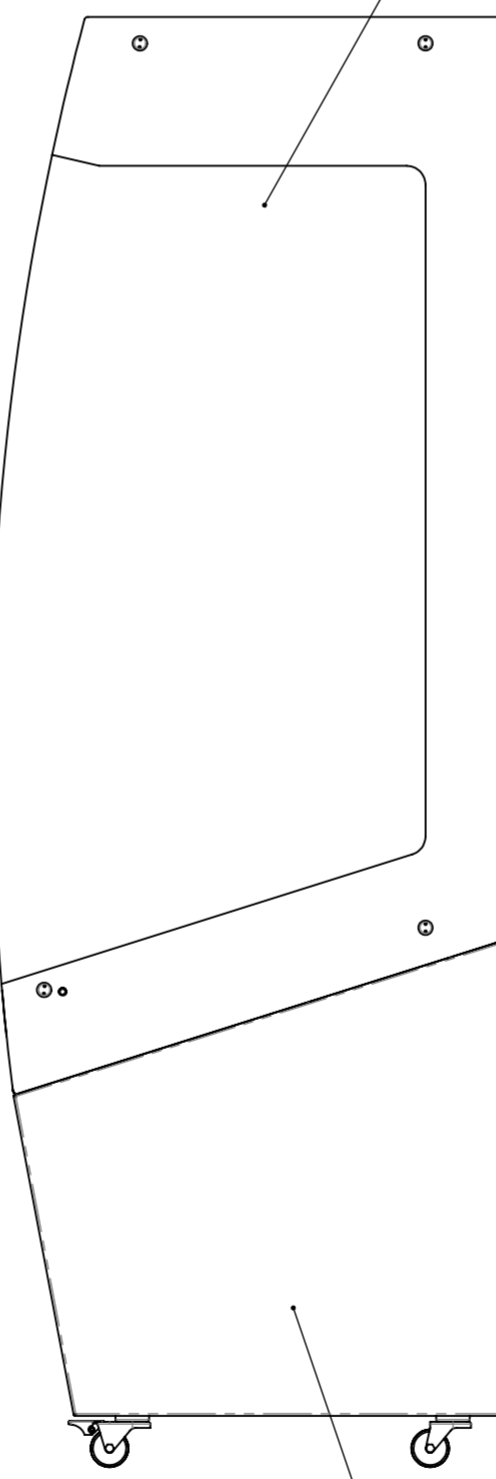
SECTION A-A

Bright polished pelmet
Clear perspex doors
Perspex edge trim to shelves with ticket strip to all levels
Black painted area on 10mm end glass



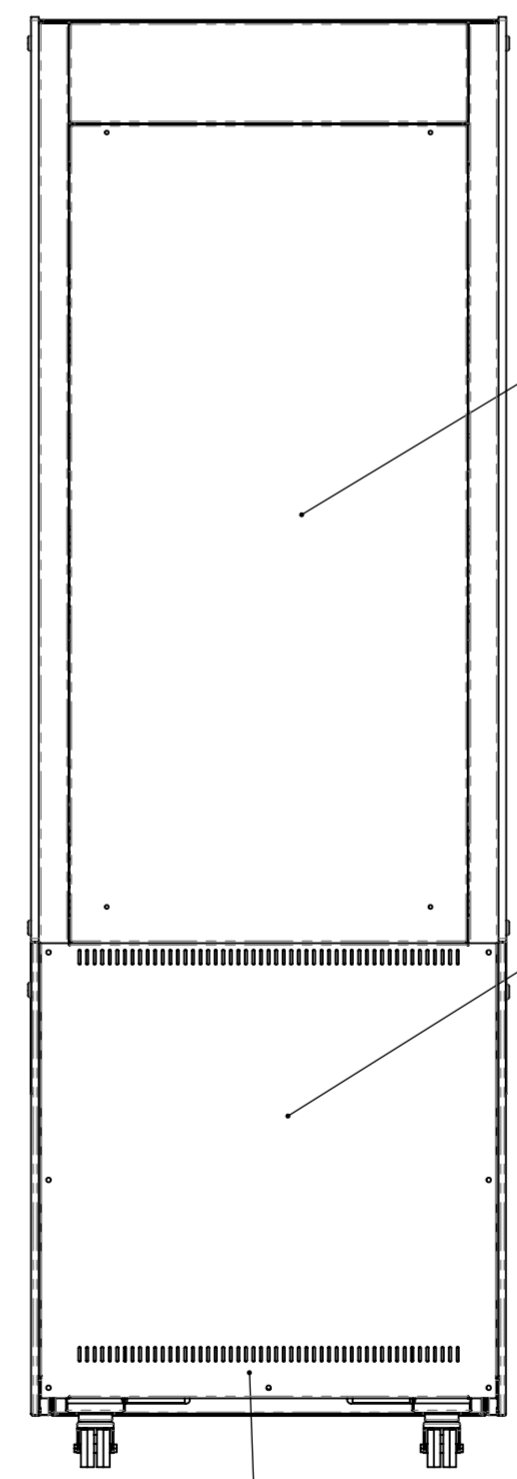
Front elevation

Bright polished fascia panel



End elevation

Satin polished end panels



Rear elevation

Fixed rear panel

Rear access panel

Display lead exit position central to the rear

Electrical info:- 13 Amp 230V 0.2Kw
Display supplied with 13 Amp on 1500 long lead
Weight - 120Kg Approx

Assembly No - EA600

Issue	Date	Description
Randles Rd, Knowsley Business Park, Merseyside L34 9HZ. Tel: 0151 548 2211 Fax: 0151 549 2179		
Title: Experience Ambient Display 600		
Drg No :	Issue:	Date: 23/06/2015
15-527--A		Scale: 1:10 @ A2
		Chk'd:
Drn by: G Burgess	All dims in MM	Date: