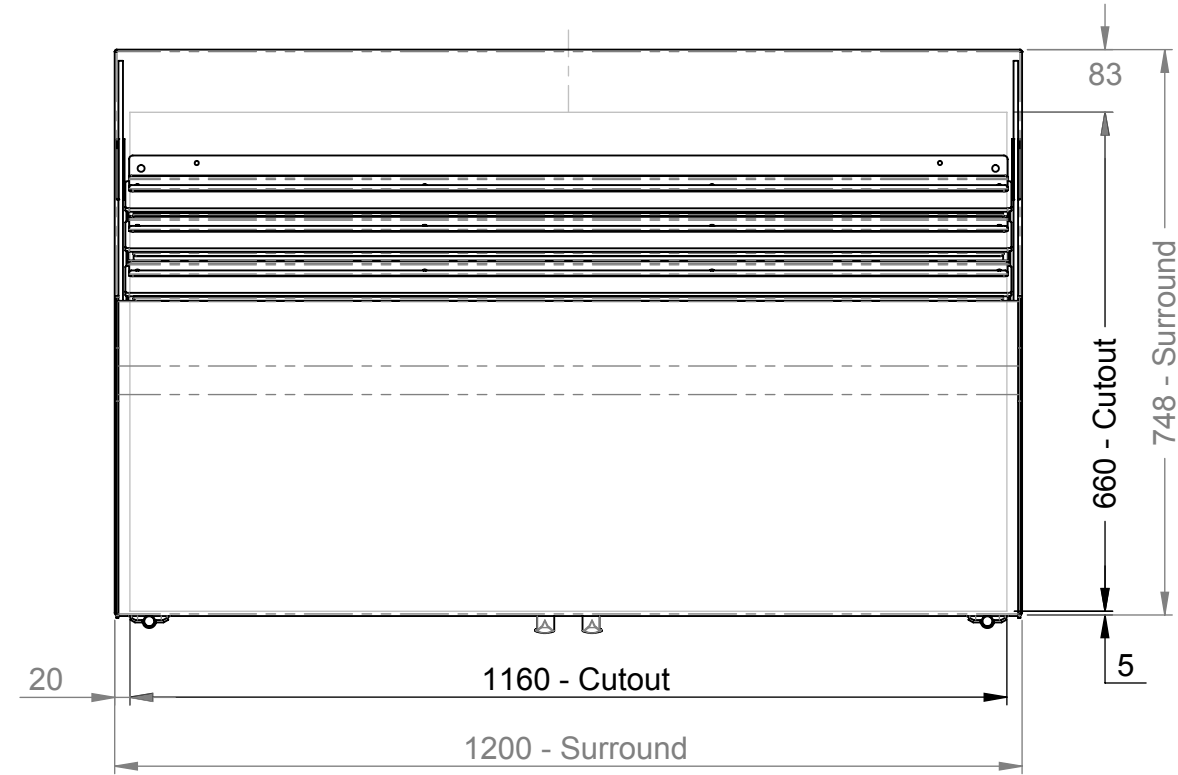
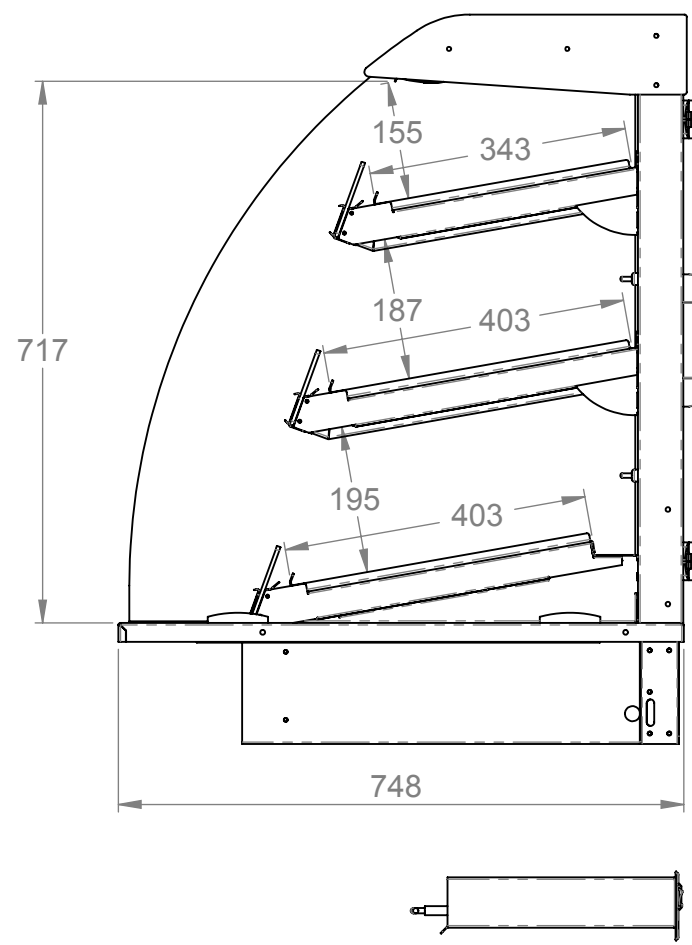




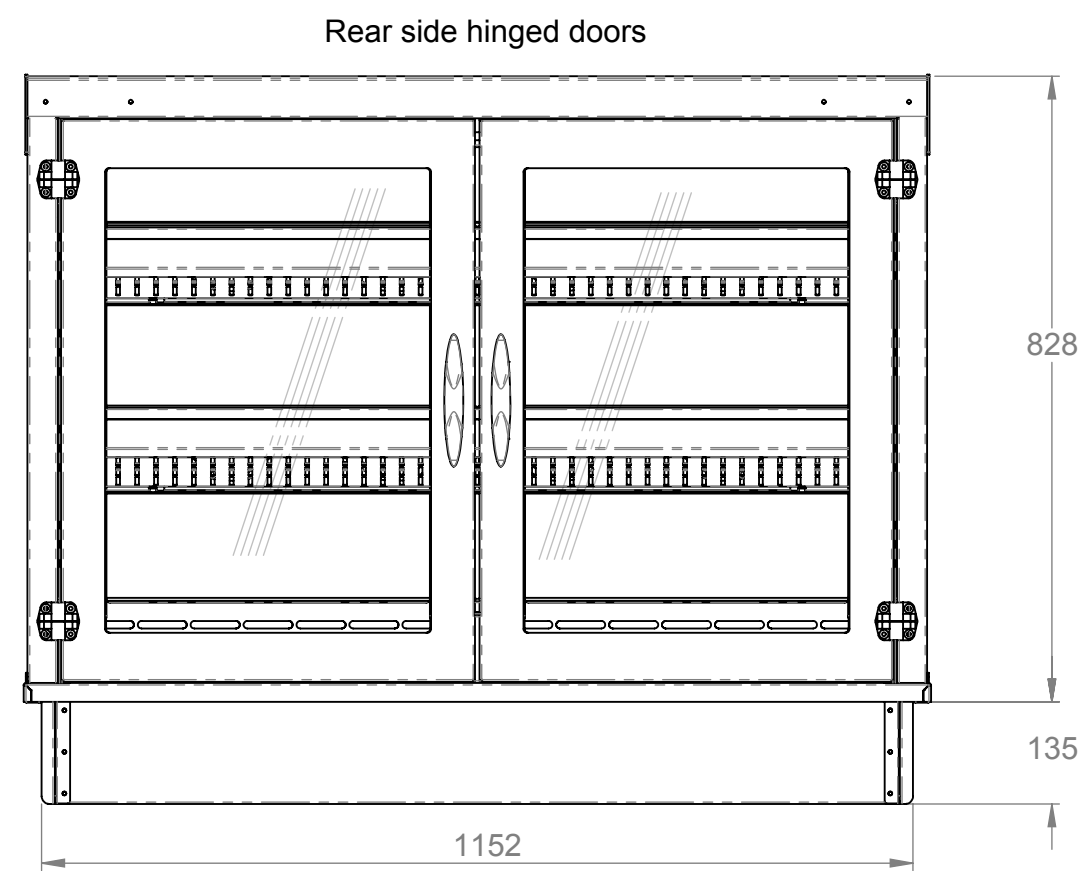
This drawing and the information properties contained there on is the property of Counterline Ltd and must not be copied or issued to a third party without the prior consent of Counterline Ltd.



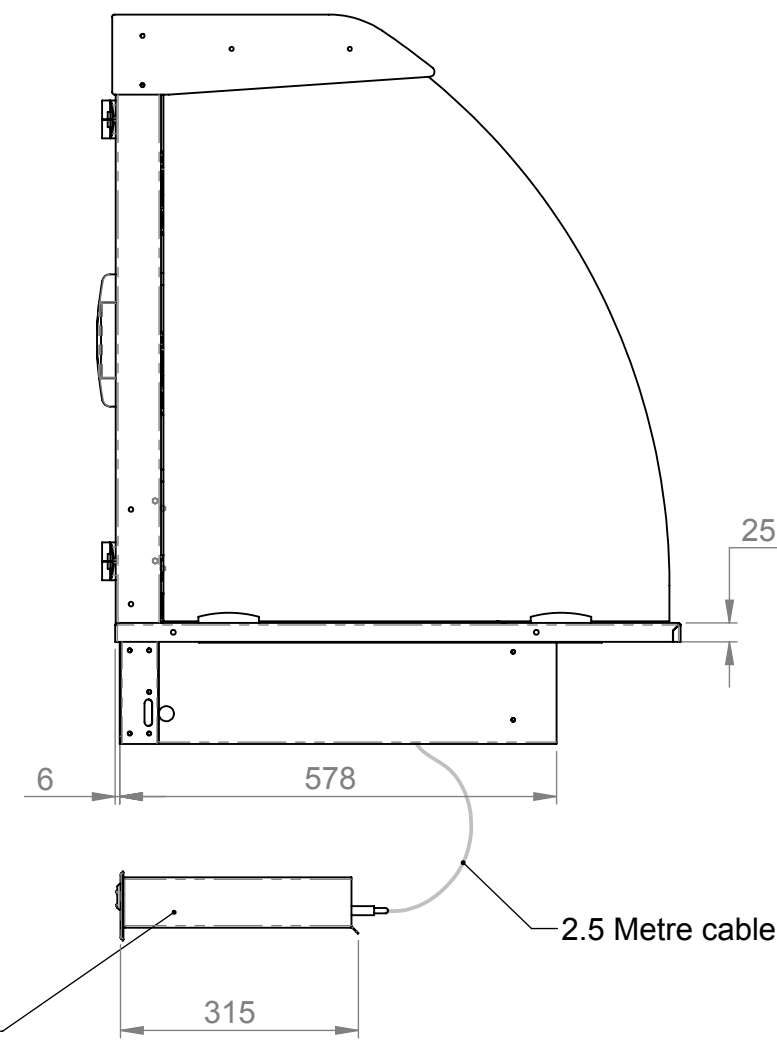
Plan



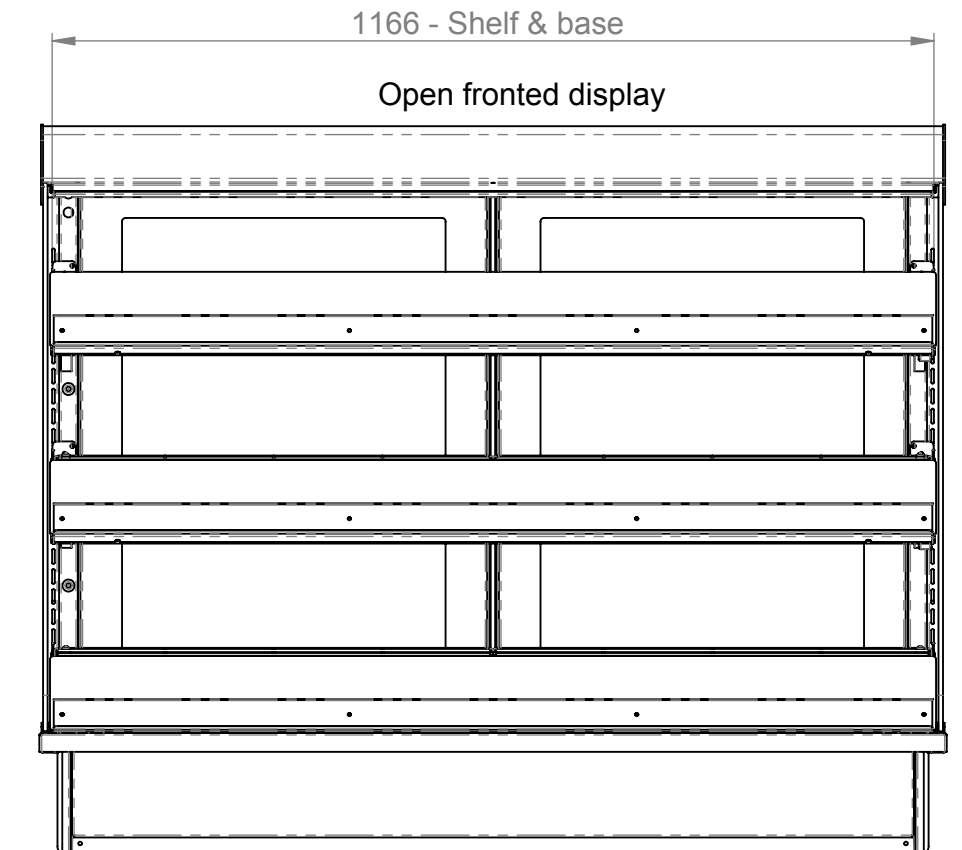
End elevation



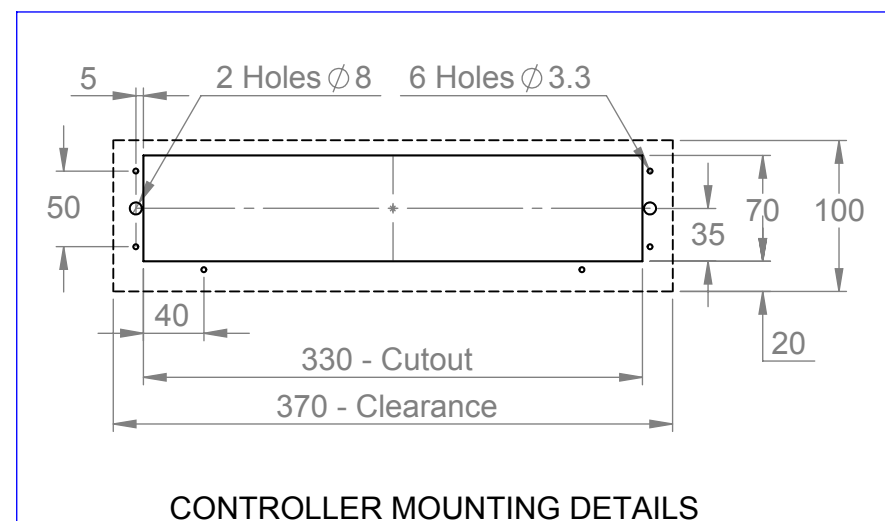
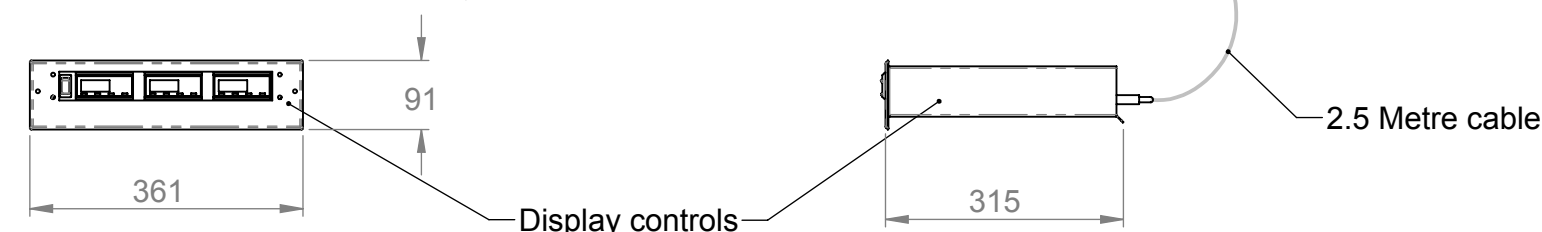
Rear elevation



End elevation



Front elevation



CONTROLLER MOUNTING DETAILS

Display controller to be located in an accessible position & the void temperature should not exceed 50°C

Electrical Spec - 13A, 230V, (min 2.0Kw - max 3.0Kw) via 13A plug top on 2.5 Metre lead
Weight - 87Kg Approx

Assembly No - VOHFDI1200-GO

Issue	Date	Description
Randles Rd, Knowsley Business Park, Merseyside L34 9HZ. Tel: 0151 548 2211 Fax: 0151 549 2179		
Title: Vision Open Heated Display 1200 Long		
Drg No :	Issue:	Date: 25/06/2014
13-221--A		Scale: 1:10 @ A2
		Chk'd:
Drn by: G Burgess	All dims in MM	Date: