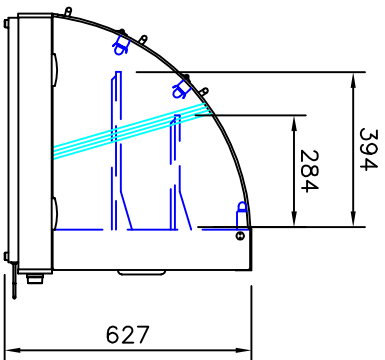
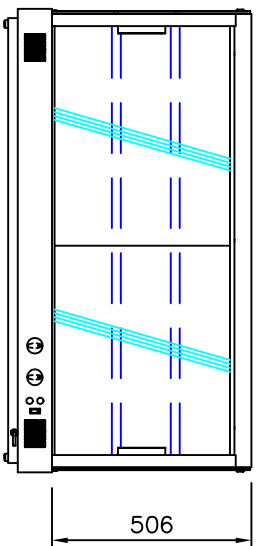


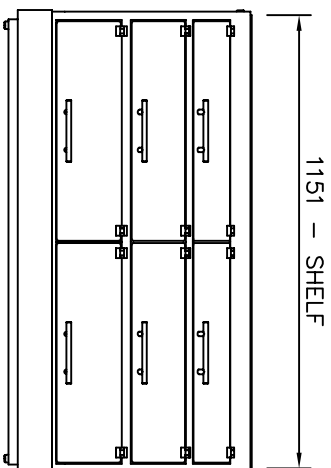
PLAN VIEW



END ELEVATION



REAR SLIDING DOORS
REAR ELEVATION



LIFT UP FLAPS
FRONT ELEVATION

DISPLAY SUPPLIED WITH 1500mm LEAD & PLUGTOP

ELECTRICAL INFO: 13A, 230V

WEIGHT: 70Kg

PRODUCT RANGE: COUNTERTOP VISION
DESC.: HEATED ENCLOSED SELP HELP
COUNTERTOP DISPLAY

OPTION:

ID CODE:

VOHCT3

counterline

RANDES RD, KNOWSLEY BUSINESS PARK, MERSEYSIDE L34 9HZ.

Tel: 0151 548 2211

Fax: 0151 549 2179

ISSUE:

1



SCALE: 1:20 @ A4